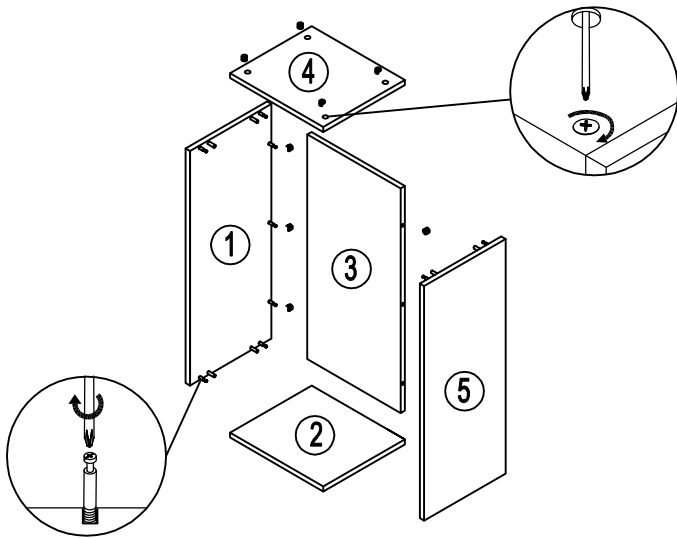
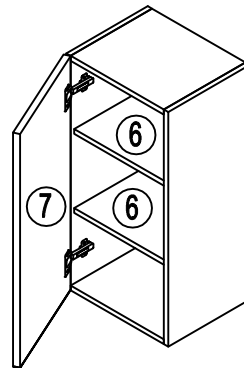
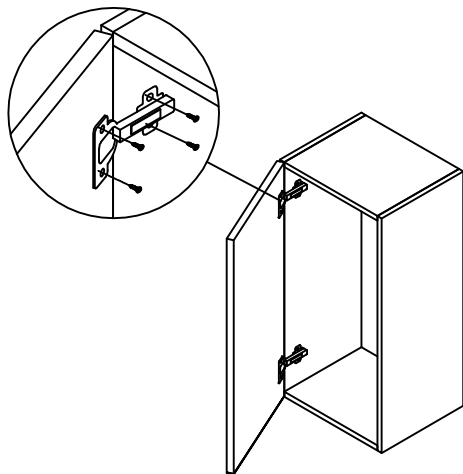
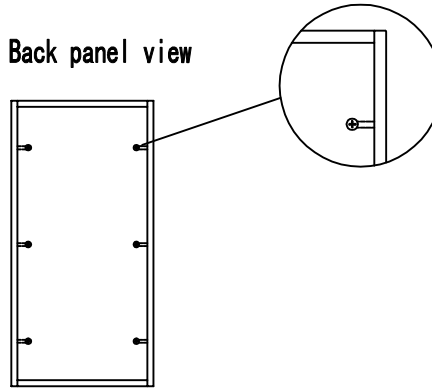


# ASSEMBLY INSTRUCTION

W0930



Back panel view



W0930

PICTURE	ITEM	SPEC	QTY.
	Hinge	Damper hinges	2
	Cam lock	Ø15*13	14
	Cam lock screw	Ø8*35	14
	Dowel	Ø8*35	8
	Shelf support	Ø5	8

BOX

Part	L	W	T	QTY.
1 Left panel	30"	12"	3/4"	1
2 Bottom panel	7 1/2"	12"	3/4"	1
3 Back panel	28 1/2"	7 1/2"	3/4"	1
4 Top panel	7 1/2"	12"	3/4"	1
5 Right panel	30"	12"	3/4"	1
6 shelf	7 1/2"	10 7/8"	3/4"	2
				total 7

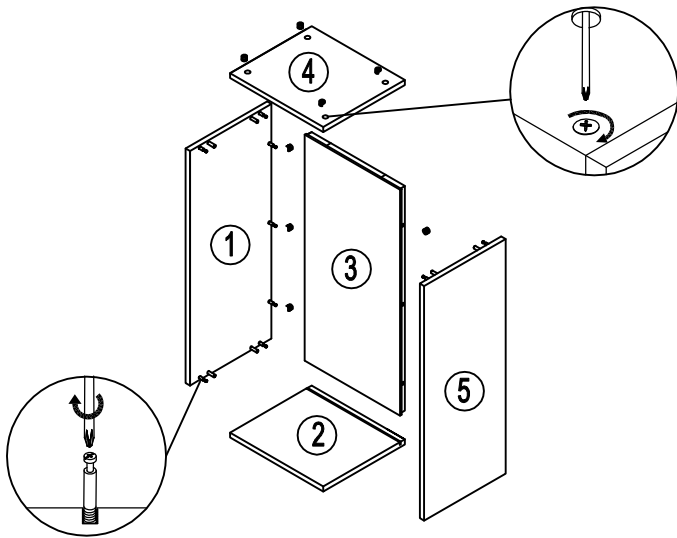
DOOR

7 Door	29 7/8"	8 7/8"	3/4"	1
--------	---------	--------	------	---

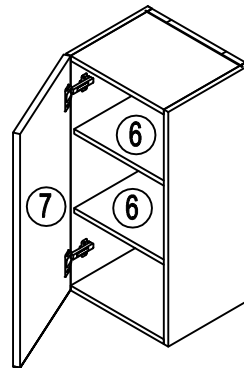
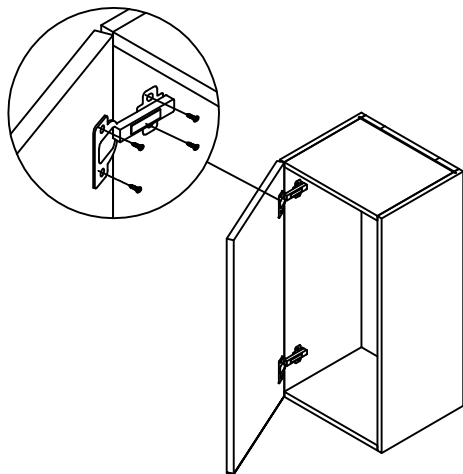
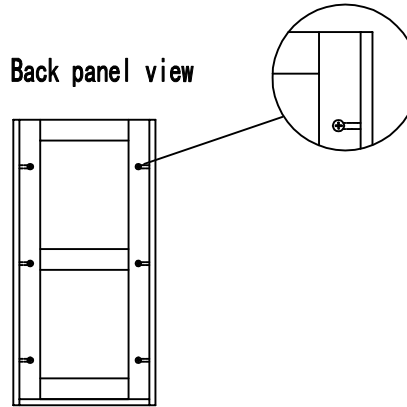
V 2.0

# ASSEMBLY INSTRUCTION

W1230



Back panel view



W1230

PICTURE	ITEM	SPEC	QTY.
	Hinge	Damper hinges	2
	Cam lock	Ø15*13	14
	Cam lock screw	Ø8*35	14
	Dowel	Ø8*35	8
	Shelf support	Ø5	8

BOX

Part	L	W	T	QTY.
1 Left panel	30"	12"	3/4"	1
2 Bottom panel	10 1/2"	12"	3/4"	1
3 Back panel	29 3/8"	10 7/8"	7/8"	1
4 Top panel	10 1/2"	11 1/8"	3/4"	1
5 Right panel	30"	12"	3/4"	1
6 shelf	10 1/2"	10 7/8"	3/4"	2
				total 7

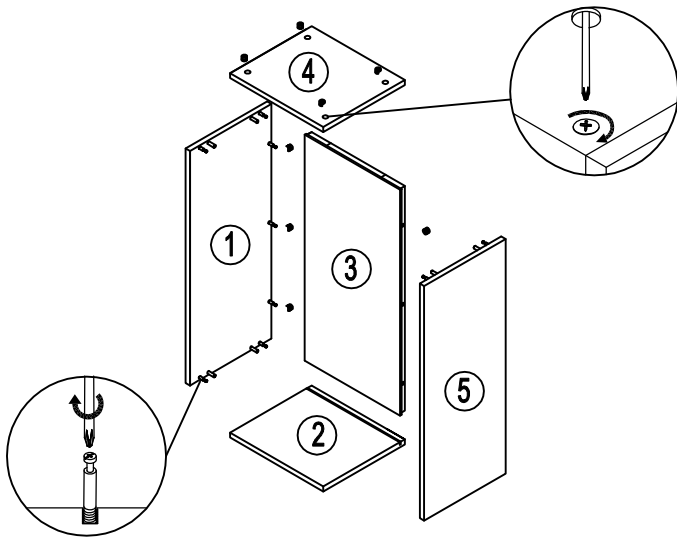
DOOR

7 Door	11 7/8"	29 7/8"	3/4"	1
--------	---------	---------	------	---

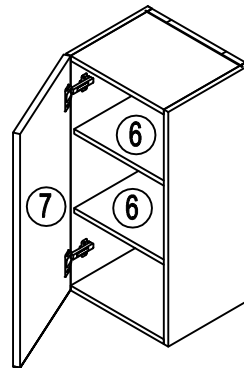
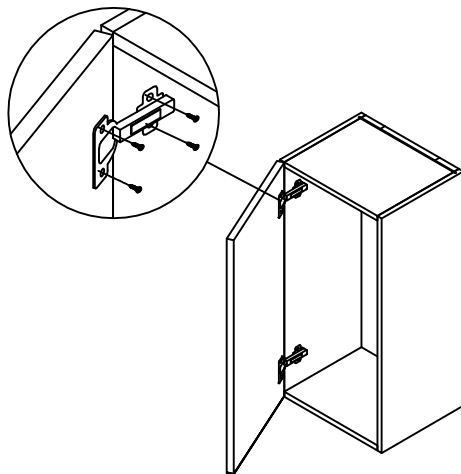
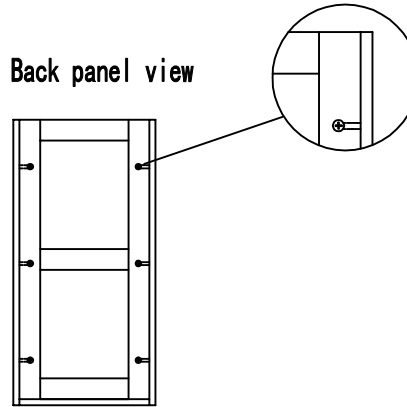
V 2.0

# ASSEMBLY INSTRUCTION

## W1530



Back panel view



W1530

PICTURE	ITEM	SPEC	QTY.
	Hinge	Damper hinges	2
	Cam lock	Ø15*13	14
	Cam lock screw	Ø8*35	14
	Dowel	Ø8*35	8
	Shelf support	Ø5	8

BOX

Part	L	W	T	QTY.
1 Left panel	30"	12"	3/4"	1
2 Bottom panel	13 1/2"	12"	3/4"	1
3 Back panel	29 3/8"	13 7/8"	7/8"	1
4 Top panel	13 1/2"	11 1/8"	3/4"	1
5 Right panel	30"	12"	3/4"	1
6 shelf	13 1/2"	10 7/8"	3/4"	2
				total 7

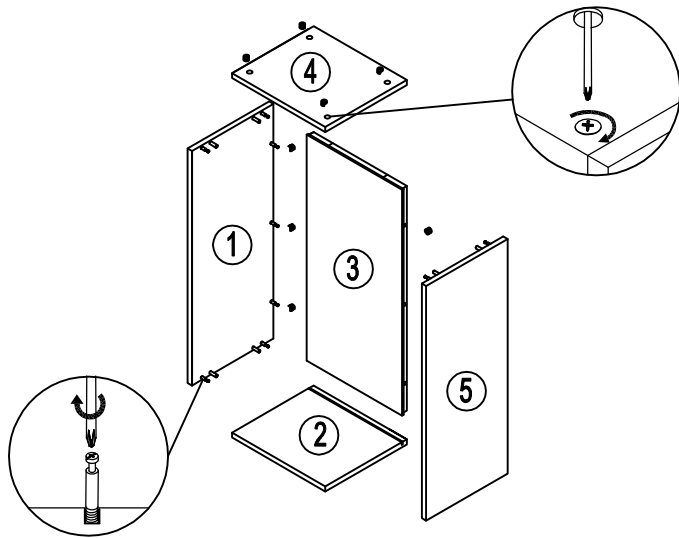
DOOR

7 Door	14 7/8"	29 7/8"	3/4"	1
--------	---------	---------	------	---

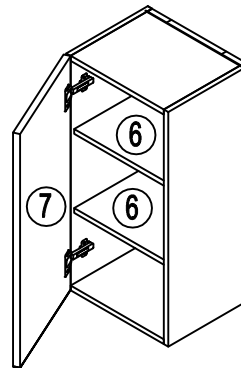
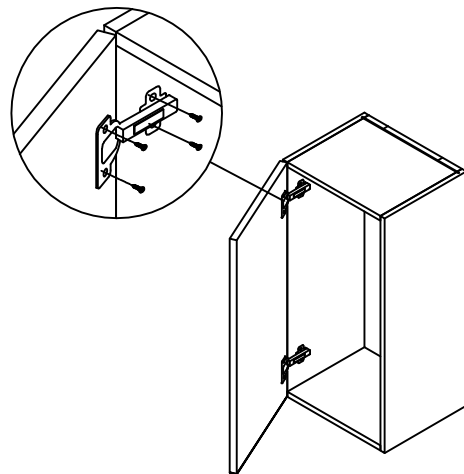
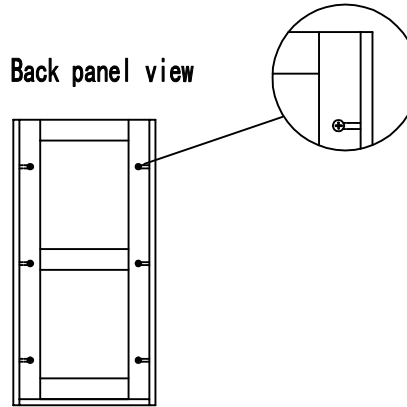
V 2.0

# ASSEMBLY INSTRUCTION

W1830



Back panel view

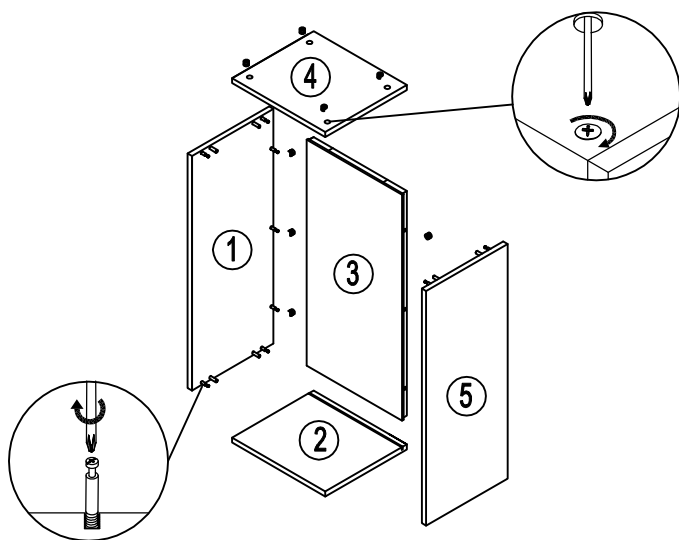


W1830					
PICTURE	ITEM	SPEC	QTY.		
	Hinge	Damper hinges	2		
	Cam lock	Ø15*13	14		
	Cam lock screw	Ø8*35	14		
	Dowel	Ø8*35	8		
	Shelf support	Ø5	8		
BOX					
Part	L	W	T	QTY.	
1	Left panel	30"	12"	3/4"	1
2	Bottom panel	16 1/2"	12"	3/4"	1
3	Back panel	29 3/8"	16 7/8"	7/8"	1
4	Top panel	16 1/2"	11 1/8"	3/4"	1
5	Right panel	30"	12"	3/4"	1
6	shelf	16 1/2"	10 7/8"	3/4"	2
total				7	
DOOR					
7	door	17 7/8"	29 7/8"	3/4"	1

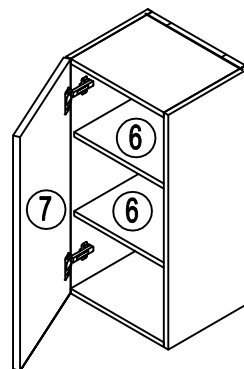
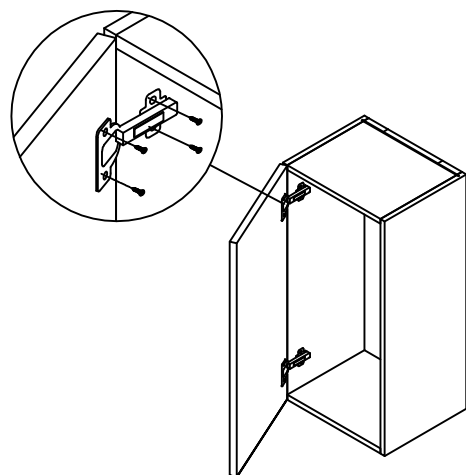
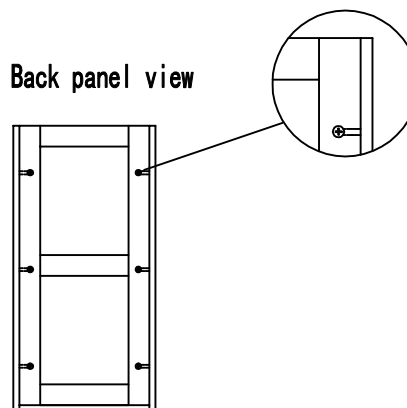


# ASSEMBLY INSTRUCTION

## W2130



Back panel view



W2130

PICTURE	ITEM	SPEC	QTY.
	Hinge	Damper hinges	2
	Cam lock	Ø15*13	14
	Cam lock screw	Ø8*35	14
	Dowel	Ø8*35	8
	Shelf support	Ø5	8

BOX

Part	L	W	T	QTY.
1 Left panel	30"	12"	3/4"	1
2 Bottom panel	19 1/2"	12"	3/4"	1
3 Back panel	29 3/8"	19 7/8"	7/8"	1
4 Top panel	19 1/2"	11 1/8"	3/4"	1
5 Right panel	30"	12"	3/4"	1
6 shelf	19 1/2"	10 7/8"	3/4"	2
				total 7

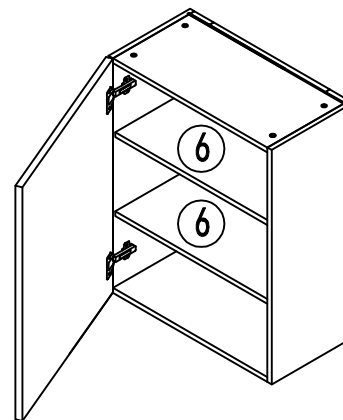
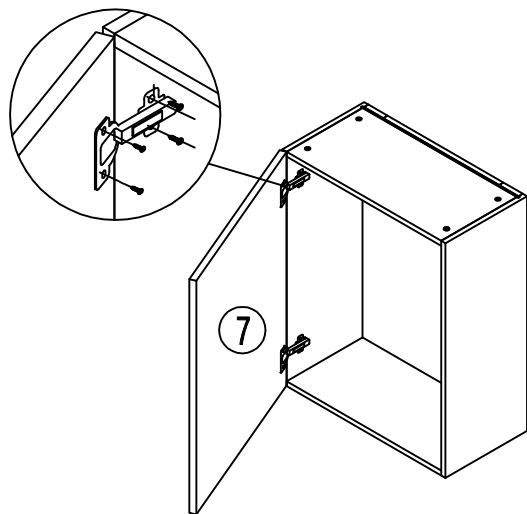
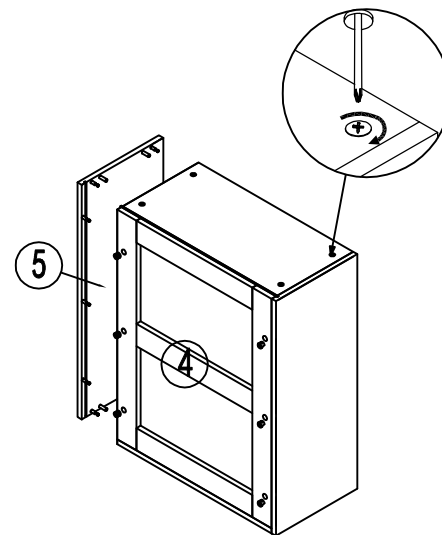
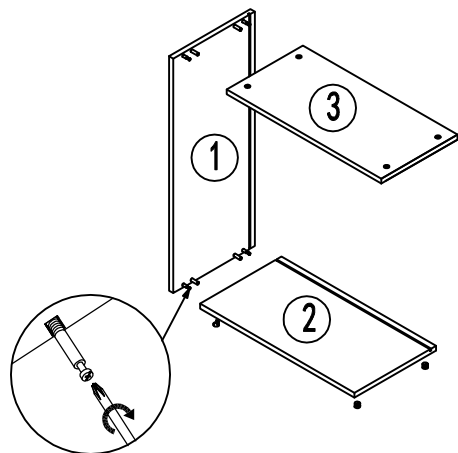
DOOR

7 door	20 7/8"	29 7/8"	3/4"	1
--------	---------	---------	------	---

V 2.0

# ASSEMBLY INSTRUCTION

## W2430

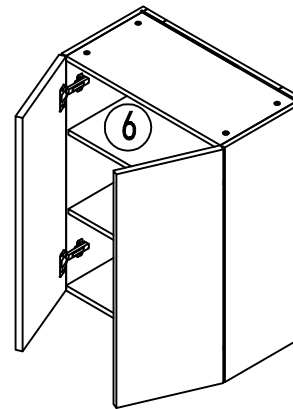
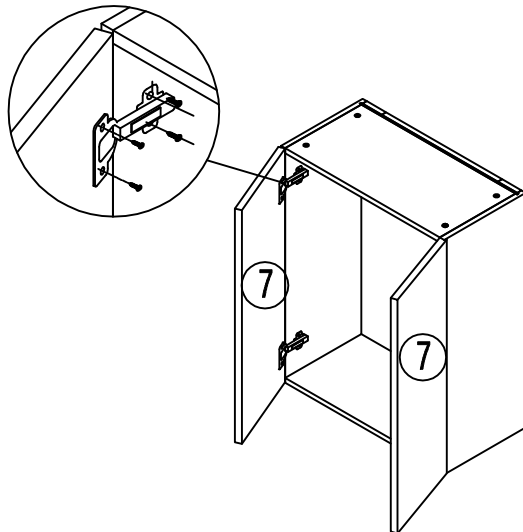
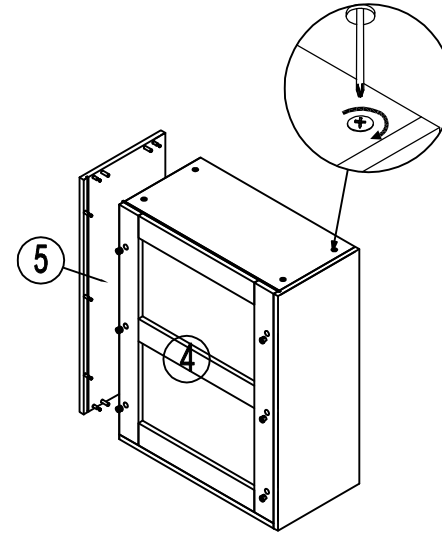
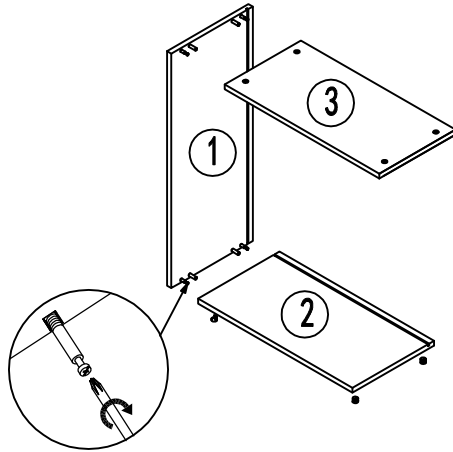


W2430					
PICTURE	ITEM	SPEC	QTY.		
	Hinge	Damper hinges	2		
	Cam lock	Ø15*13	14		
	Cam lock screw	Ø8*35	14		
	Dowel	Ø8*35	8		
	Shelf support	Ø5	8		
BOX					
Part	L	W	T	QTY.	
1	Left panel	30"	12"	3/4"	1
2	Bottom panel	22 1/2"	12"	3/4"	1
3	Top panel	22 1/2"	11 1/8"	3/4"	1
4	Back panel	29 3/8"	22 7/8"	7/8"	1
5	Right panel	30"	12"	3/4"	1
6	Shelf	22 1/2"	10 7/8"	3/4"	2
total				7	
DOOR					
7	Door	23 7/8"	29 7/8"	3/4"	1

V 2.0

# ASSEMBLY INSTRUCTION

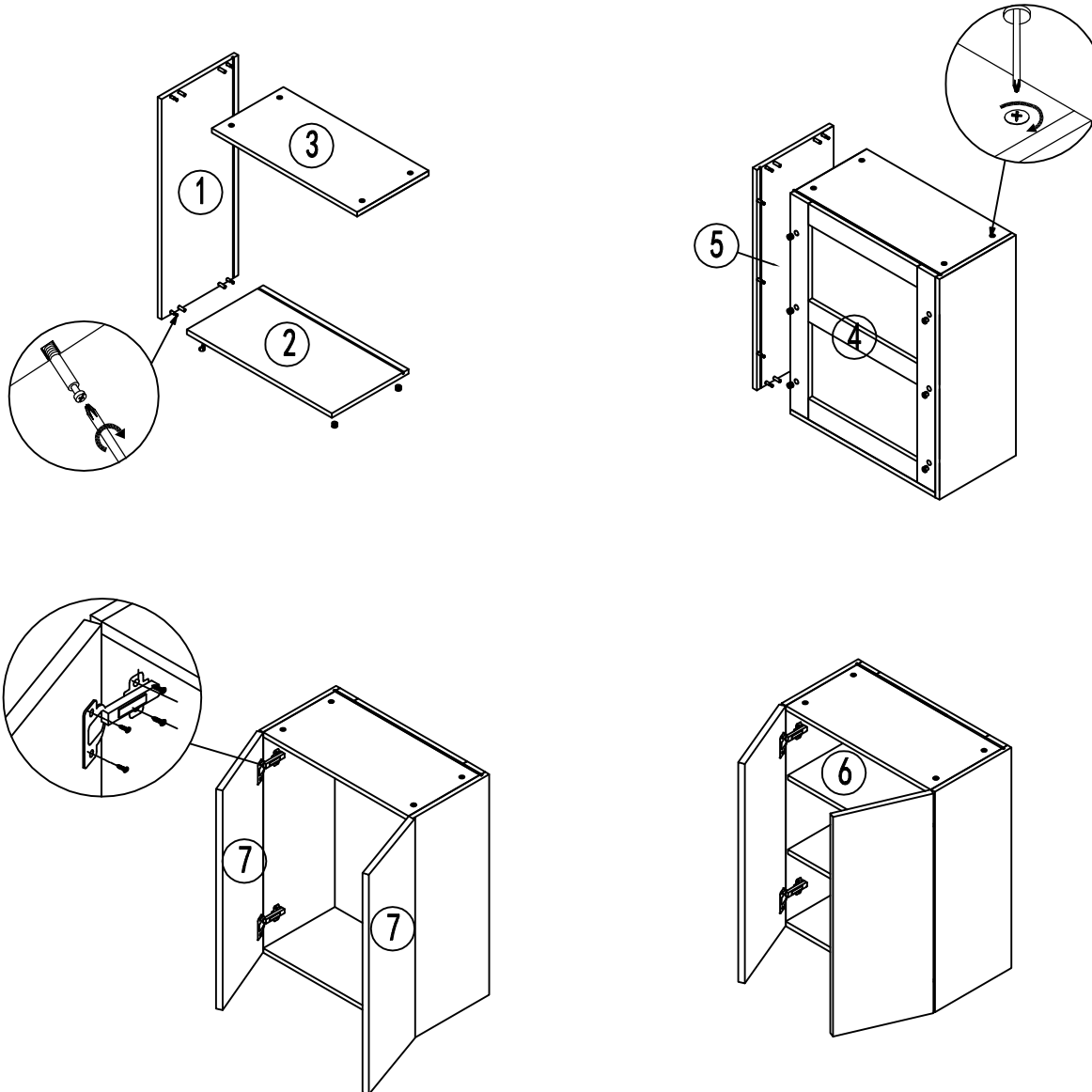
## W2430DD



W2430DD					
PICTURE	ITEM	SPEC	QTY.		
	Hinge	Damper hinges	4		
	Cam lock	Ø15*13	14		
	Cam lock screw	Ø8*35	14		
	Dowel	Ø8*35	8		
	Shelf support	Ø5	8		
BOX					
Part	L	W	T	QTY.	
1	Left panel	30"	12"	3/4"	1
2	Bottom panel	22 1/2"	12"	3/4"	1
3	Top panel	22 1/2"	11 1/8"	3/4"	1
4	Back panel	29 3/8"	22 7/8"	7/8"	1
5	Right panel	30"	12"	3/4"	1
6	Shelf	22 1/2"	10 7/8"	3/4"	2
total				7	
DOOR					
7	Door	11 3/8"	29 7/8"	3/4"	2

# ASSEMBLY INSTRUCTION

## W2730

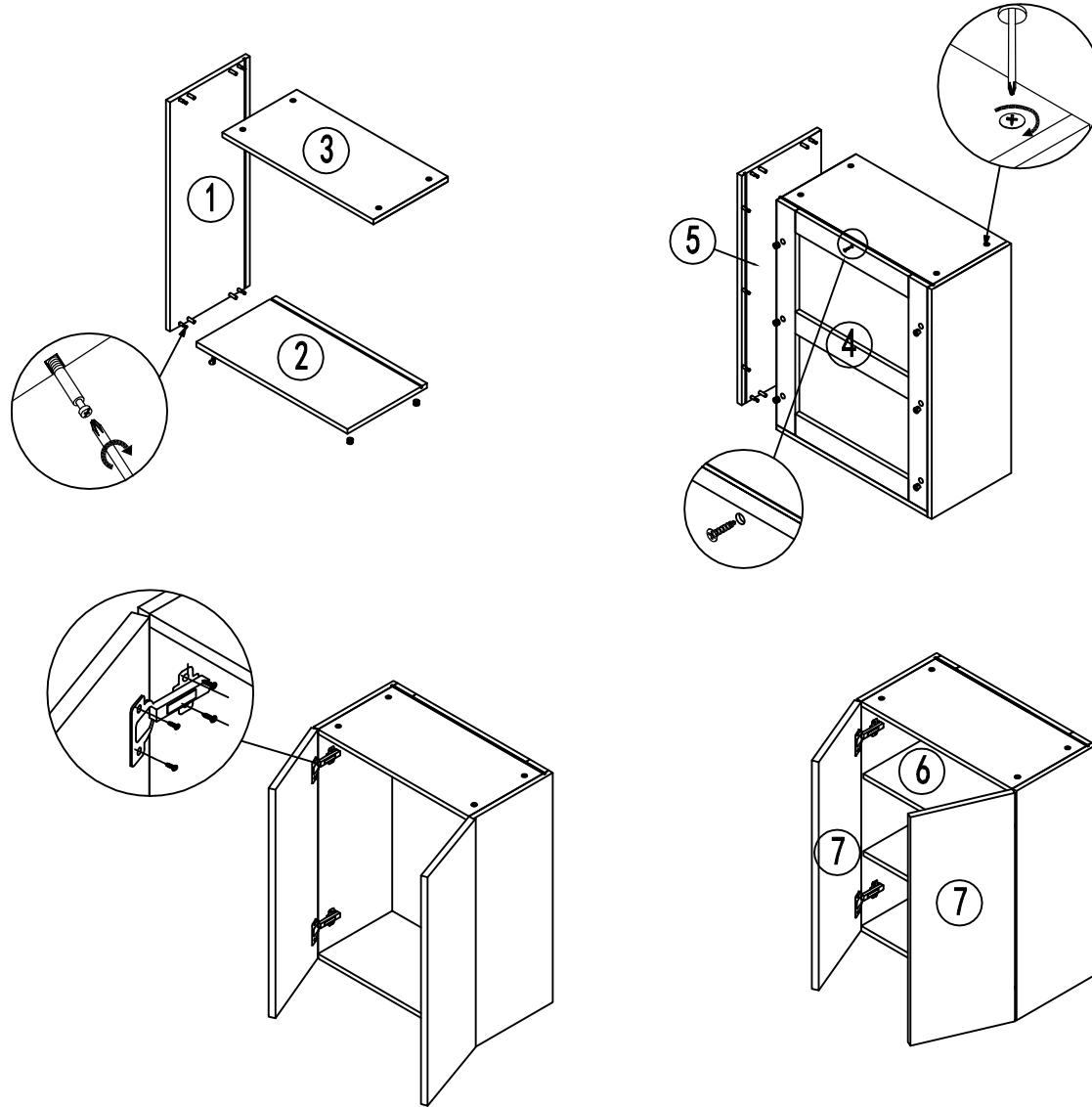


W2730					
PICTURE	ITEM	SPEC	QTY.		
	Hinge	Damper hinges	4		
	Cam lock	Ø15*13	14		
	Cam lock screw	Ø8*35	14		
	Dowel	Ø8*35	8		
	Shelf support	Ø5	8		
BOX					
Part	L	W	T	QTY.	
1	Left panel	30"	12"	3/4"	1
2	Bottom panel	25 1/2"	12"	3/4"	1
3	Top panel	25 1/2"	11 1/8"	3/4"	1
4	Back panel	29 3/8"	25 7/8"	7/8"	1
5	Right panel	30"	12"	3/4"	1
6	shelf	25 1/2"	10 7/8"	3/4"	2
total				7	
DOOR					
7	door	13 3/8"	29 7/8"	3/4"	2

V 2.0

# ASSEMBLY INSTRUCTION

## W3030

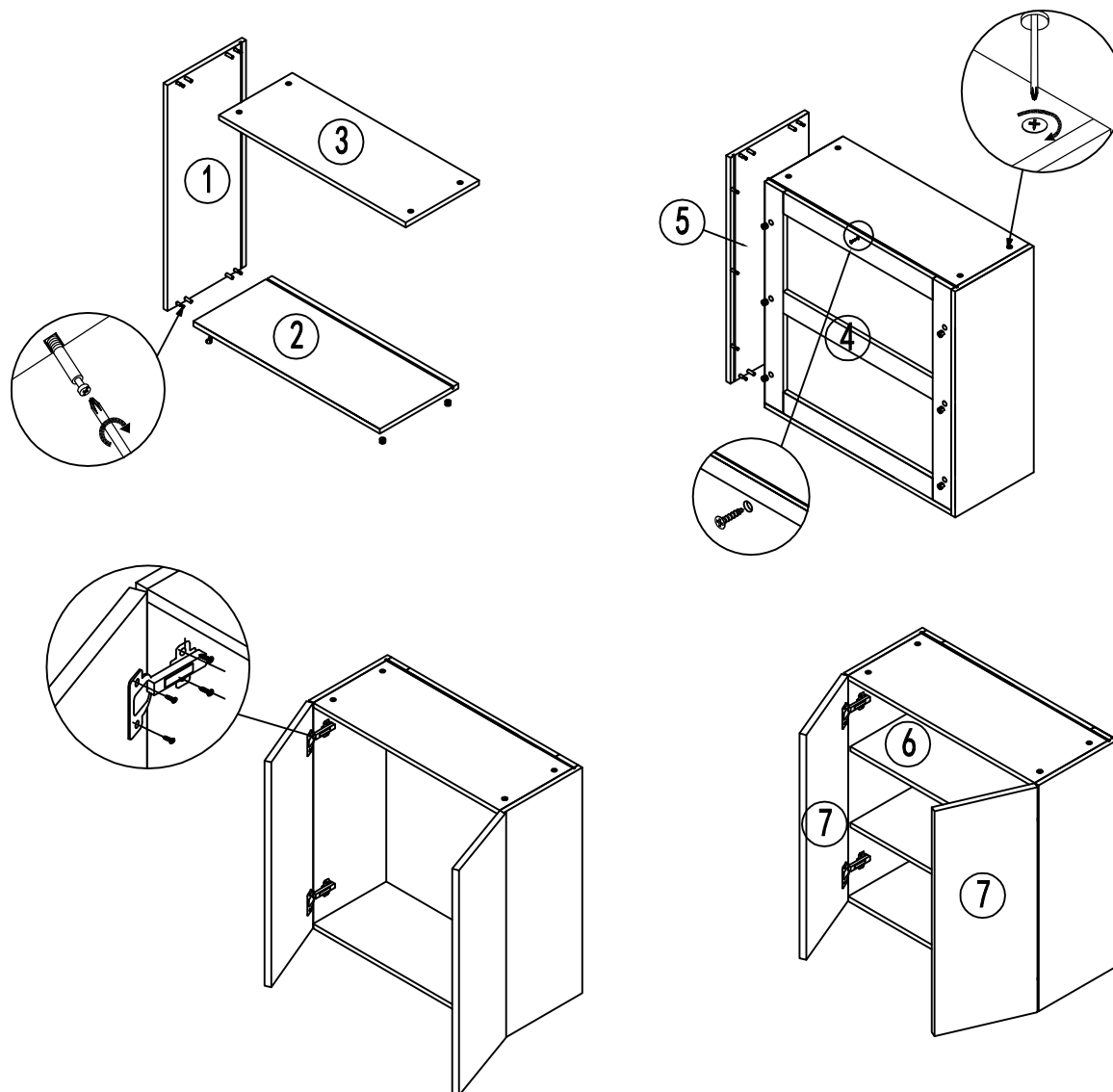


W3030					
PICTURE	ITEM	SPEC	QTY.		
	Hinge	Damper hinges	4		
	Cam lock	Ø15*13	14		
	Cam lock screw	Ø8*35	14		
	Dowel	Ø8*35	8		
	Shelf support	Ø5	8		
	Tapping screw	3.5*35	1		
BOX					
Part	L	W	T	QTY.	
1	Left panel	30"	12"	3/4"	1
2	Bottom panel	28 1/2"	12"	3/4"	1
3	Top panel	28 1/2"	11 1/8"	3/4"	1
4	Back panel	29 3/8"	28 7/8"	7/8"	1
5	Right panel	30"	12"	3/4"	1
6	shelf	28 1/2"	10 7/8"	3/4"	2
total				7	
DOOR					
7	door	14 7/8"	29 7/8"	3/4"	2

V 2.0

# ASSEMBLY INSTRUCTION

## W3330



W3330

PICTURE	ITEM	SPEC	QTY.
	Hinge	Damper hinges	4
	Cam lock	Ø15*13	14
	Cam lock screw	Ø8*35	14
	Dowel	Ø8*35	8
	Shelf support	Ø5	8
	Tapping screw	3.5*35	1

BOX

Part	L	W	T	QTY.	
1	Left panel	30"	12"	3/4"	1
2	Bottom panel	31 1/2"	12"	3/4"	1
3	Top panel	31 1/2"	11 1/8"	3/4"	1
4	Back panel	29 3/8"	31 7/8"	7/8"	1
5	Right panel	30"	12"	3/4"	1
6	Shelf	31 1/2"	10 7/8"	3/4"	2
total 7					

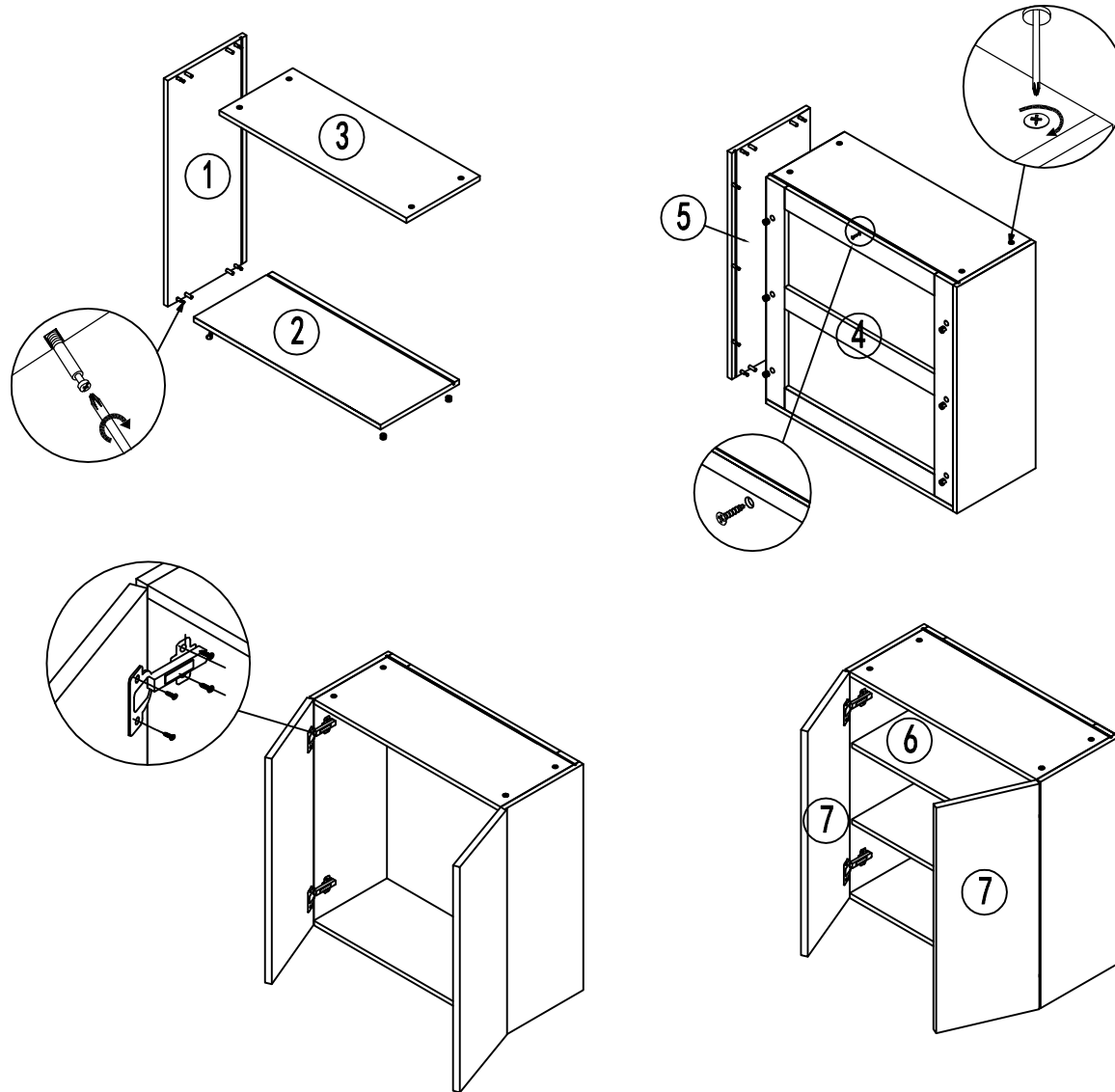
DOOR

7	Door	16 3/8"	29 7/8"	3/4"	2
---	------	---------	---------	------	---

V 2.0

# ASSEMBLY INSTRUCTION

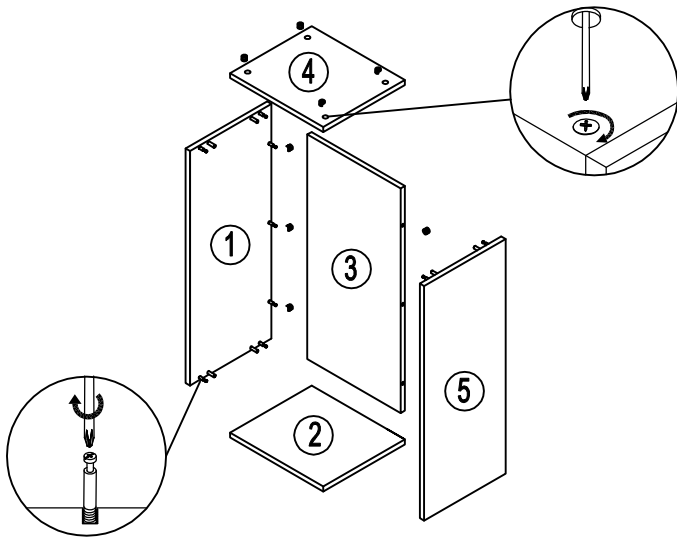
## W3630



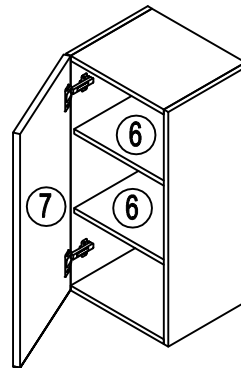
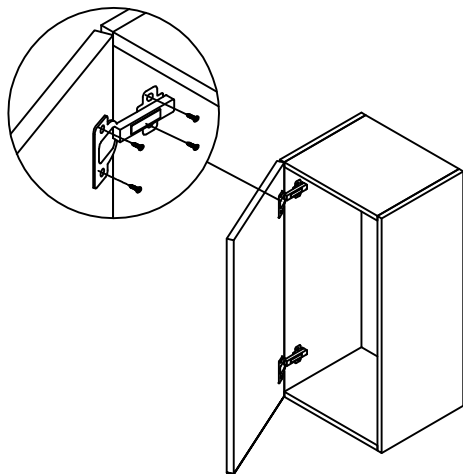
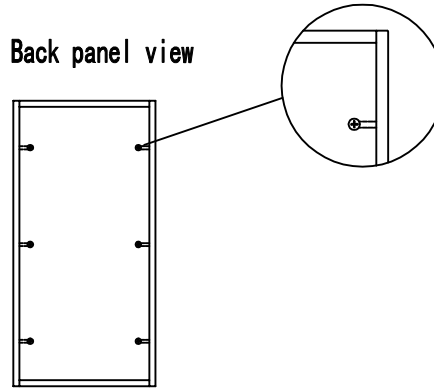
W3630					
PICTURE	ITEM	SPEC	QTY.		
	Hinge	Damper hinges	4		
	Cam lock	Ø15*13	14		
	Cam lock screw	Ø8*35	14		
	Dowel	Ø8*35	8		
	Shelf support	Ø5	8		
	Tapping screw	3.5*35	1		
BOX					
Part	L	W	T	QTY.	
1	Left panel	30"	12"	3/4"	1
2	Bottom panel	34 1/2"	12"	3/4"	1
3	Top panel	34 1/2"	11 1/8"	3/4"	1
4	Back panel	34 7/8"	29 3/8"	7/8"	1
5	Right panel	30"	12"	3/4"	1
6	shelf	34 1/2"	10 7/8"	3/4"	2
total				7	
DOOR					
7	door	17 7/8"	29 7/8"	3/4"	2

# ASSEMBLY INSTRUCTION

W0936



Back panel view



W0936

PICTURE	ITEM	SPEC	QTY.
	Hinge	Damper hinges	2
	Cam lock	Ø15*13	14
	Cam lock screw	Ø8*35	14
	Dowel	Ø8*35	8
	Shelf support	Ø5	8

BOX

Part	L	W	T	QTY.
1 Left panel	36"	12"	3/4"	1
2 Bottom panel	7 1/2"	12"	3/4"	1
3 Back panel	34 1/2"	7 1/2"	3/4"	1
4 Top panel	7 1/2"	12"	3/4"	1
5 Right panel	36"	12"	3/4"	1
6 shelf	7 1/2"	10 7/8"	3/4"	2
				total 7

DOOR

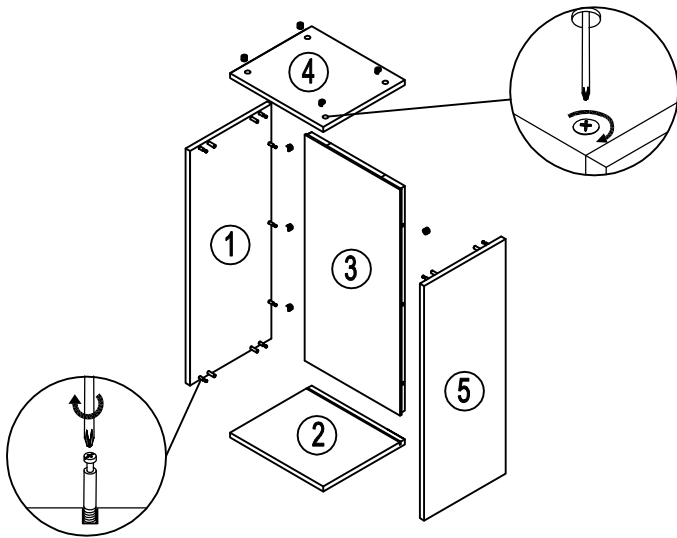
7 Door	8 7/8"	35 7/8"	3/4"	1
--------	--------	---------	------	---

V 2.0

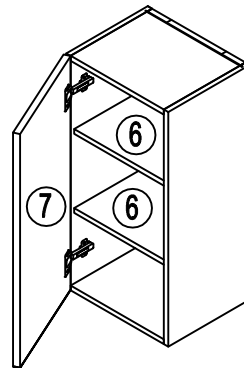
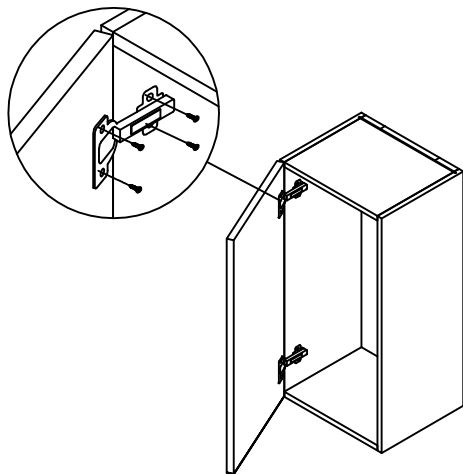
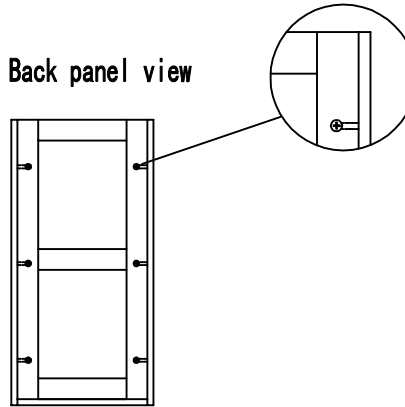


# ASSEMBLY INSTRUCTION

## W1236



Back panel view



W1236

PICTURE	ITEM	SPEC	QTY.
	Hinge	Damper hinges	2
	Cam lock	Ø15*13	14
	Cam lock screw	Ø8*35	14
	Dowel	Ø8*35	8
	Shelf support	Ø5	8

BOX

Part	L	W	T	QTY.
1 Left panel	36"	12"	3/4"	1
2 Bottom panel	11 7/8"	10 1/2"	3/4"	1
3 Back panel	35 5/8"	10 7/8"	7/8"	1
4 Top panel	11 1/8"	10 1/2"	3/4"	1
5 Right panel	36"	12"	3/4"	1
6 shelf	10 1/2"	10 7/8"	3/4"	2
				total 7

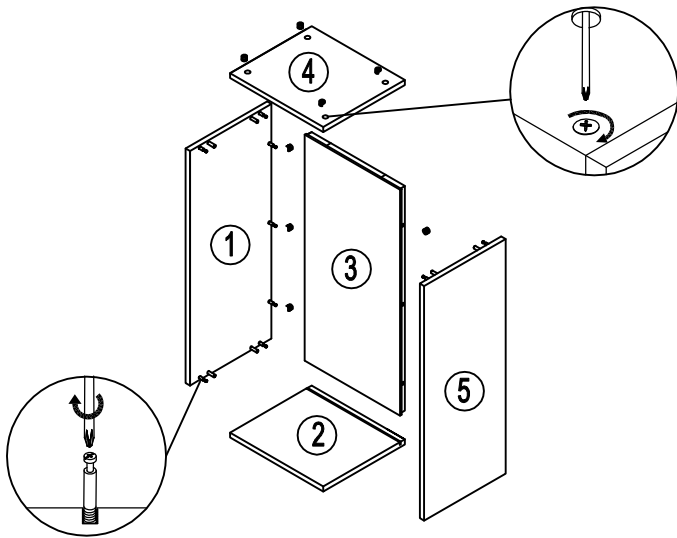
DOOR

7 Door	11 7/8"	35 7/8"	3/4"	1
--------	---------	---------	------	---

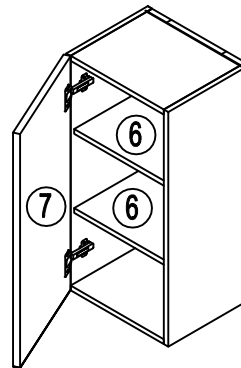
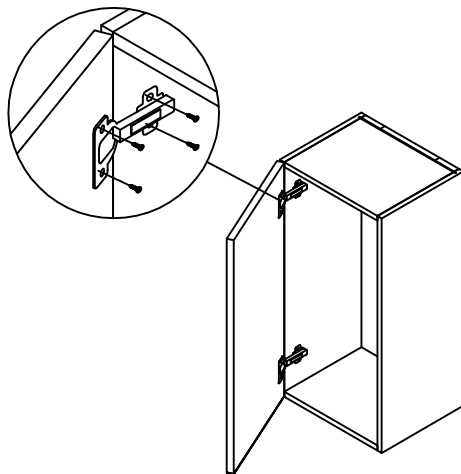
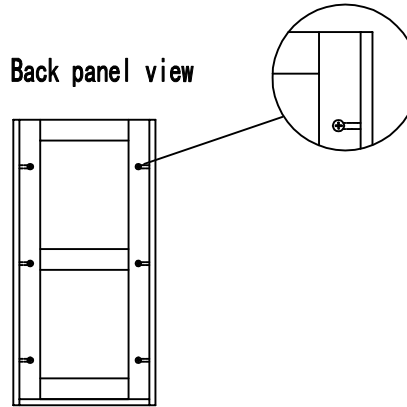
V 2.0

# ASSEMBLY INSTRUCTION

## W1536



Back panel view



W1536

PICTURE	ITEM	SPEC	QTY.
	Hinge	Damper hinges	2
	Cam lock	Ø15*13	14
	Cam lock screw	Ø8*35	14
	Dowel	Ø8*35	8
	Shelf support	Ø5	8

BOX

Part	L	W	T	QTY.
1 Left panel	36"	12"	3/4"	1
2 Bottom panel	13 1/2"	12"	3/4"	1
3 Back panel	35 3/8"	13 7/8"	7/8"	1
4 Top panel	13 1/2"	11 1/8"	3/4"	1
5 Right panel	36"	12"	3/4"	1
6 shelf	13 1/2"	10 7/8"	3/4"	2
				total 7

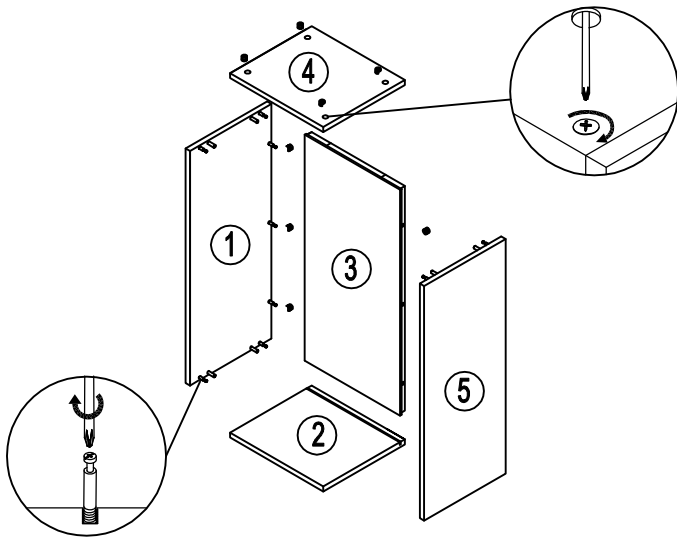
DOOR

7 Door	14 7/8"	35 7/8"	3/4"	1
--------	---------	---------	------	---

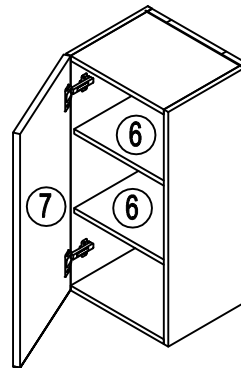
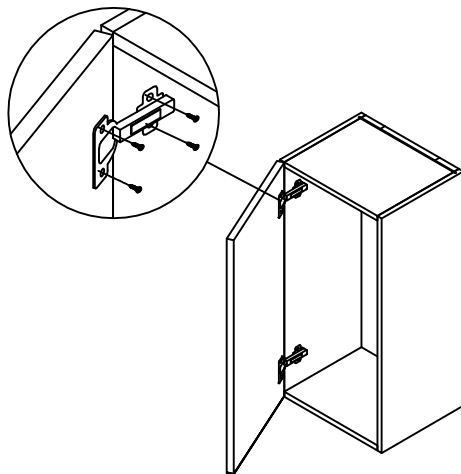
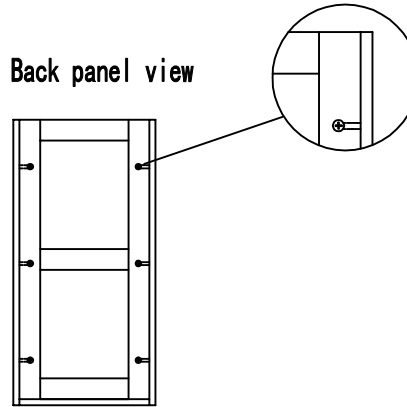
V 2.0

# ASSEMBLY INSTRUCTION

## W1836



Back panel view



W1836

PICTURE	ITEM	SPEC	QTY.
	Hinge	Damper hinges	2
	Cam lock	Ø15*13	14
	Cam lock screw	Ø8*35	14
	Dowel	Ø8*35	8
	Shelf support	Ø5	8

BOX

Part	L	W	T	QTY.
1 Left panel	36"	12"	3/4"	1
2 Bottom panel	12"	16 1/2"	3/4"	1
3 Back panel	35 1/2"	16 7/8"	7/8"	1
4 Top panel	11 1/8"	16 1/2"	3/4"	1
5 Right panel	36"	12"	3/4"	1
6 shelf	16 1/2"	10 7/8"	3/4"	2
total 7				

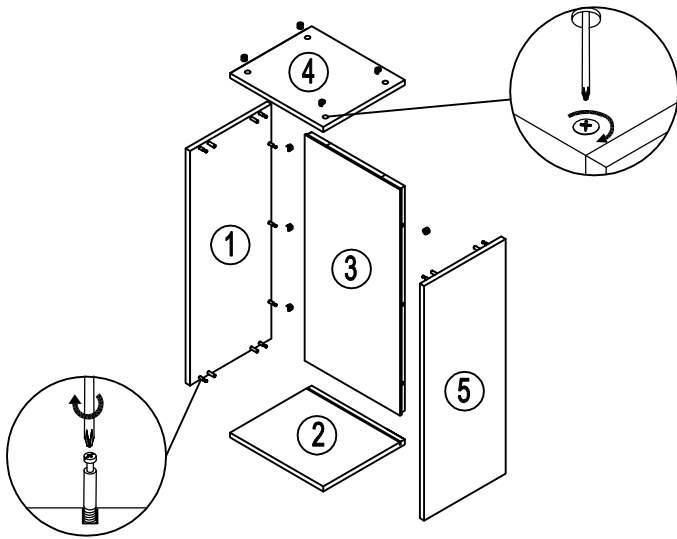
DOOR

7 Door	17 7/8"	35 7/8"	3/4"	1
--------	---------	---------	------	---

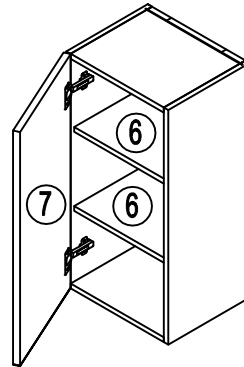
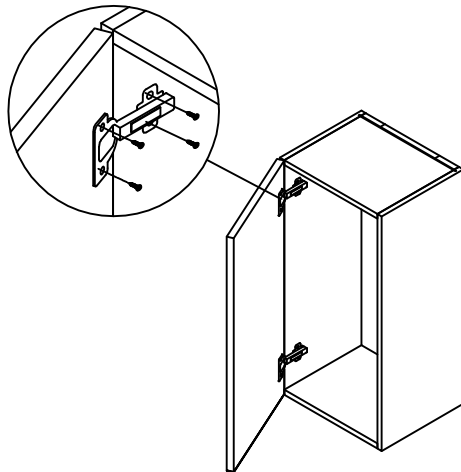
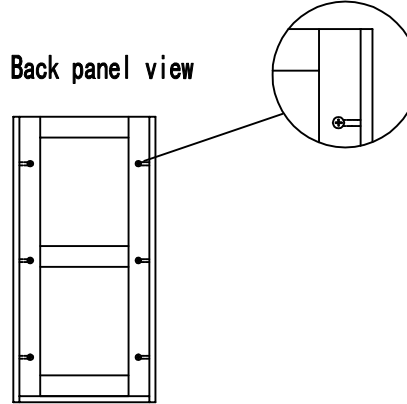
V 2.0

# ASSEMBLY INSTRUCTION

## W2136



Back panel view

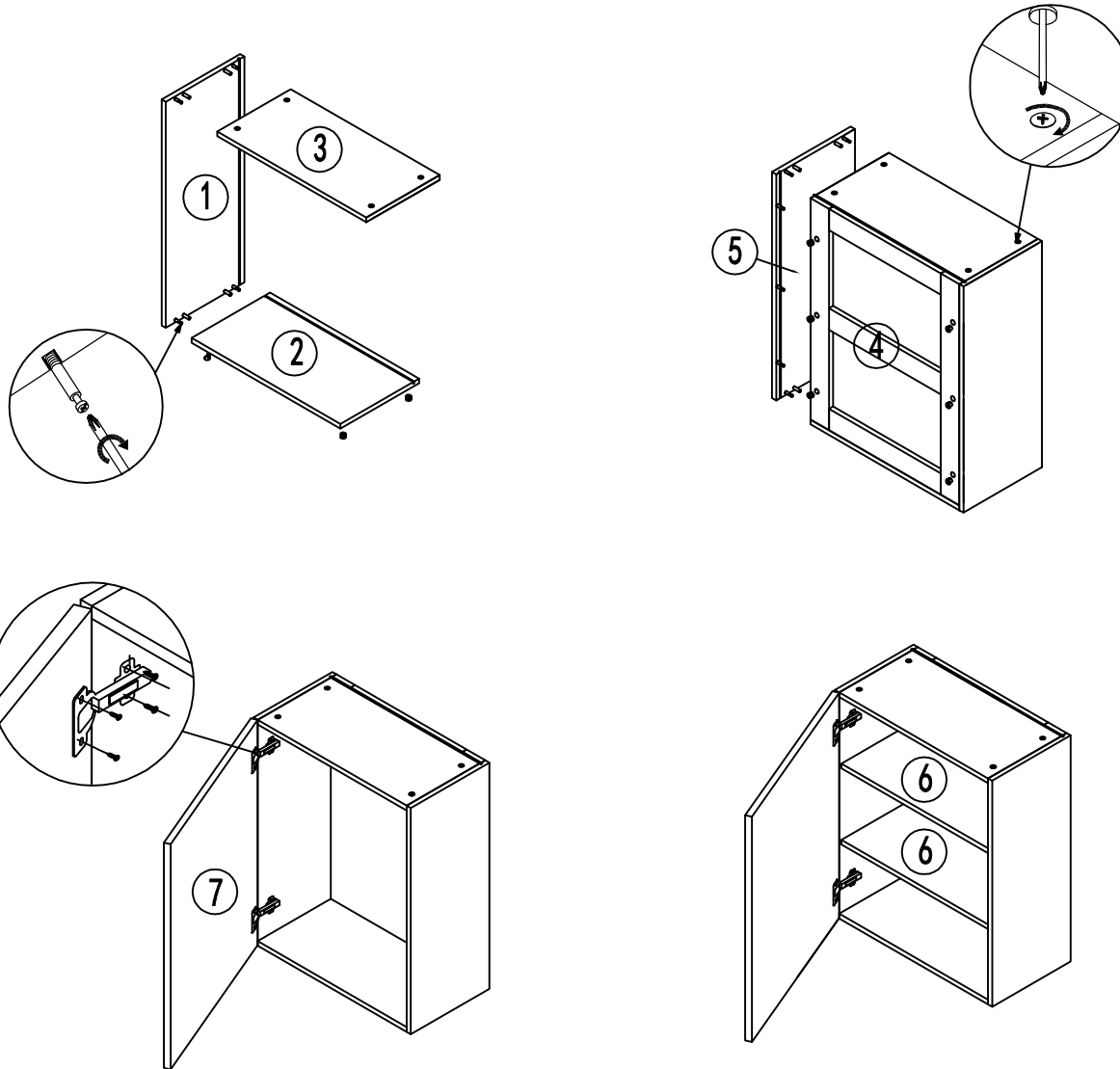


W2136					
PICTURE	ITEM	SPEC	QTY.		
	Hinge	Damper hinges	2		
	Cam lock	Ø15*13	14		
	Cam lock screw	Ø8*35	14		
	Dowel	Ø8*35	8		
	Shelf support	Ø5	8		
BOX					
Part	L	W	T	QTY.	
1	Left panel	36"	12"	3/4"	1
2	Bottom panel	19 1/2"	12"	3/4"	1
3	Top panel	19 1/2"	11 1/8"	3/4"	1
4	Back panel	35 3/8"	19 7/8"	7/8"	1
5	Right panel	36"	12"	3/4"	1
6	shelf	19 1/2"	10 7/8"	3/4"	2
				total 7	
DOOR					
7	door	20 7/8"	35 7/8"	3/4"	1

V 2.0

# ASSEMBLY INSTRUCTION

## W2436

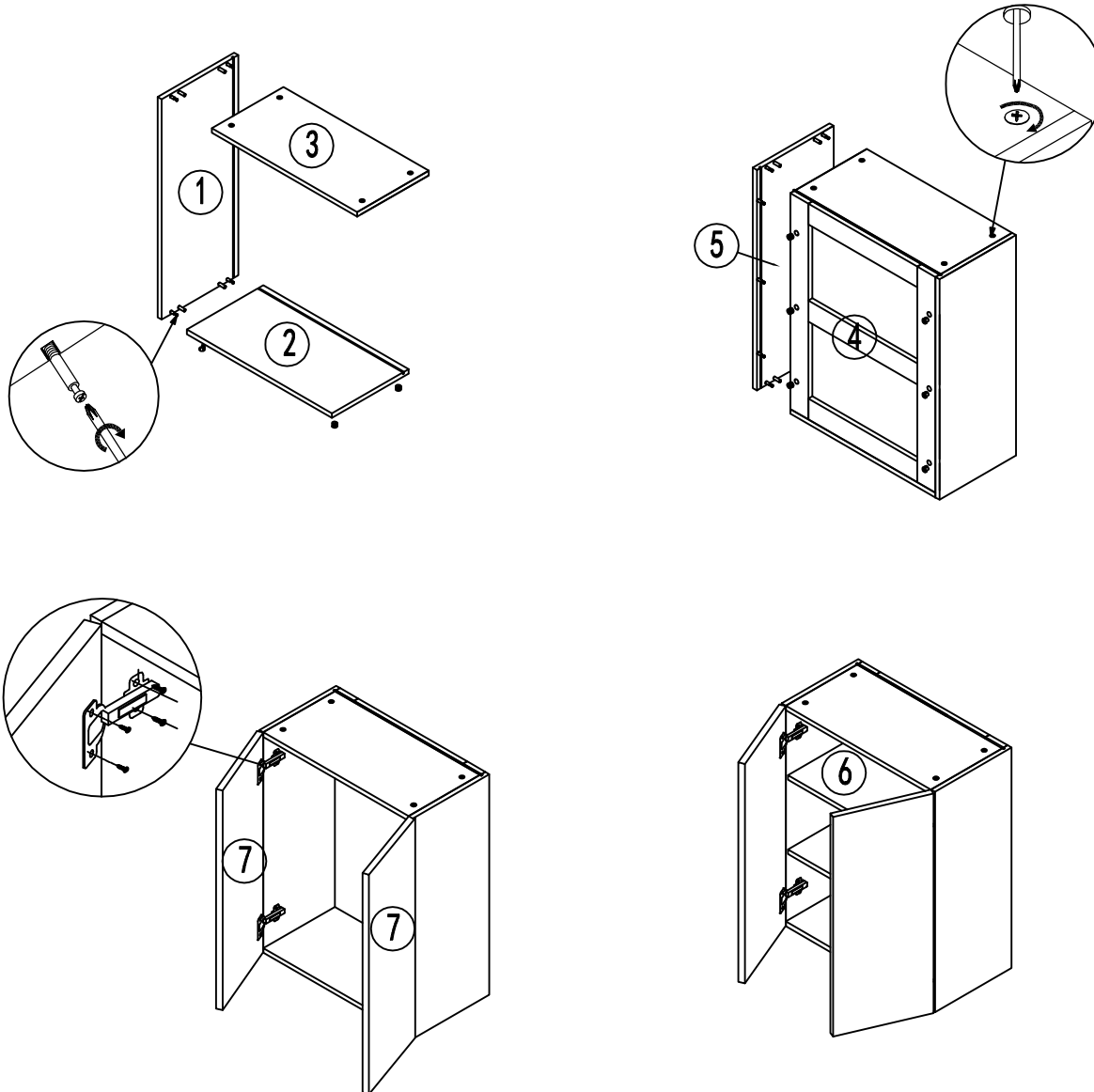


W2436					
PICTURE	ITEM	SPEC	QTY.		
	Hinge	Damper hinges	2		
	Cam lock	Ø15*13	14		
	Cam lock screw	Ø8*35	14		
	Dowel	Ø8*35	8		
	Shelf support	Ø5	8		
BOX					
Part	L	W	T	QTY.	
1	Left panel	36"	12"	3/4"	1
2	Bottom panel	22 1/2"	12"	3/4"	1
3	Top panel	22 1/2"	11 1/8"	3/4"	1
4	Back panel	35 3/8"	22 7/8"	7/8"	1
5	Right panel	36"	12"	3/4"	1
6	Shelf	22 1/2"	10 7/8"	3/4"	2
total				7	
DOOR					
7	door	23 7/8"	35 7/8"	3/4"	1

V 2.0

# ASSEMBLY INSTRUCTION

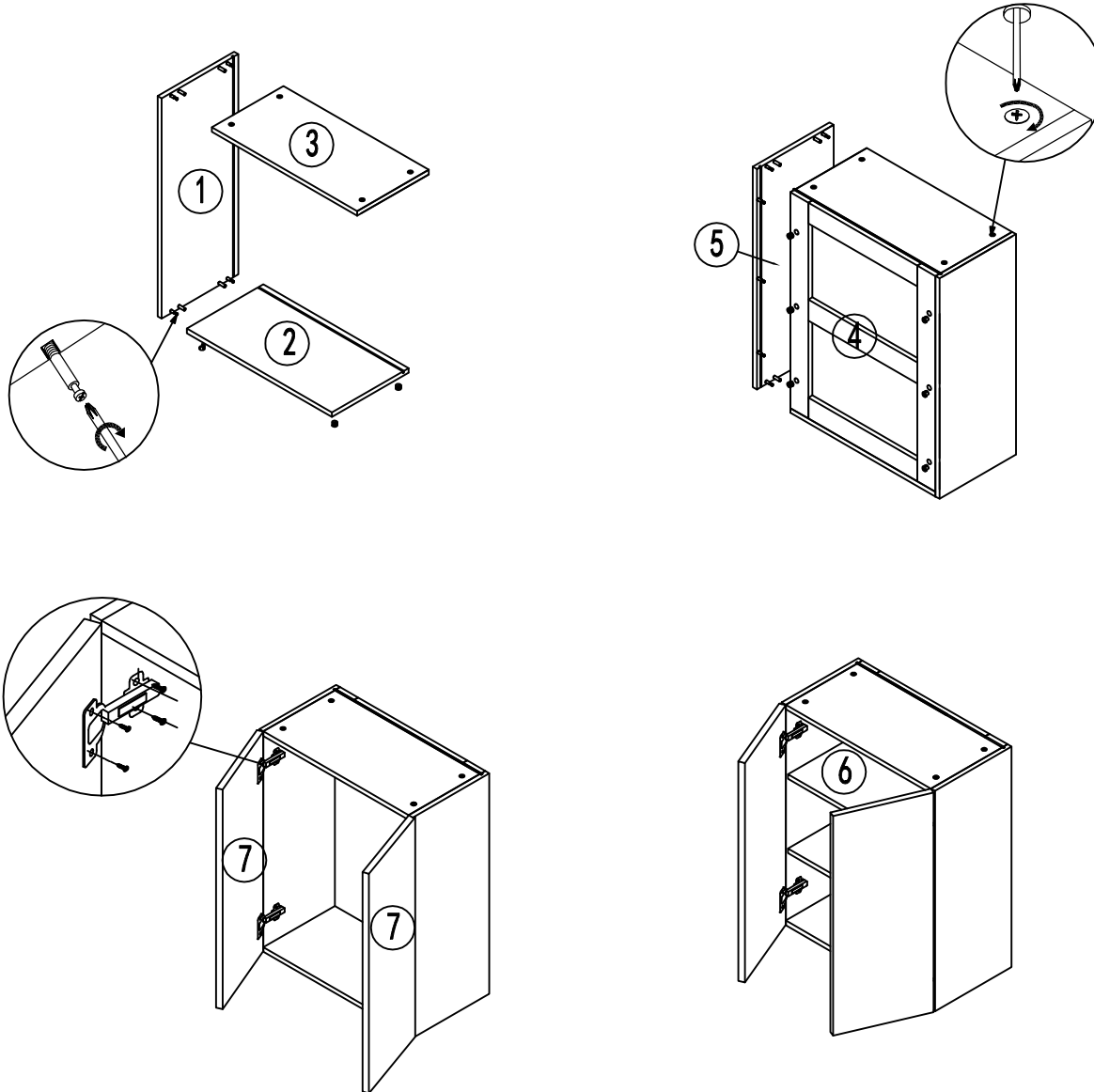
## W2436DD



W2436DD					
PICTURE	ITEM	SPEC	QTY.		
	Hinge	Damper hinges	4		
	Cam lock	Ø15*13	14		
	Cam lock screw	Ø8*35	14		
	Dowel	Ø8*35	8		
	Shelf support	Ø5	8		
BOX					
Part	L	W	T	QTY.	
1	Left panel	36"	12"	3/4"	1
2	Bottom panel	22 1/2"	12"	3/4"	1
3	Top panel	22 1/2"	11 1/8"	3/4"	1
4	Back panel	35 3/8"	22 7/8"	7/8"	1
5	Right panel	36"	12"	3/4"	1
6	Shelf	22 1/2"	10 7/8"	3/4"	2
				total 7	
DOOR					
7	door	11 7/8"	35 7/8"	3/4"	2

# ASSEMBLY INSTRUCTION

## W2736

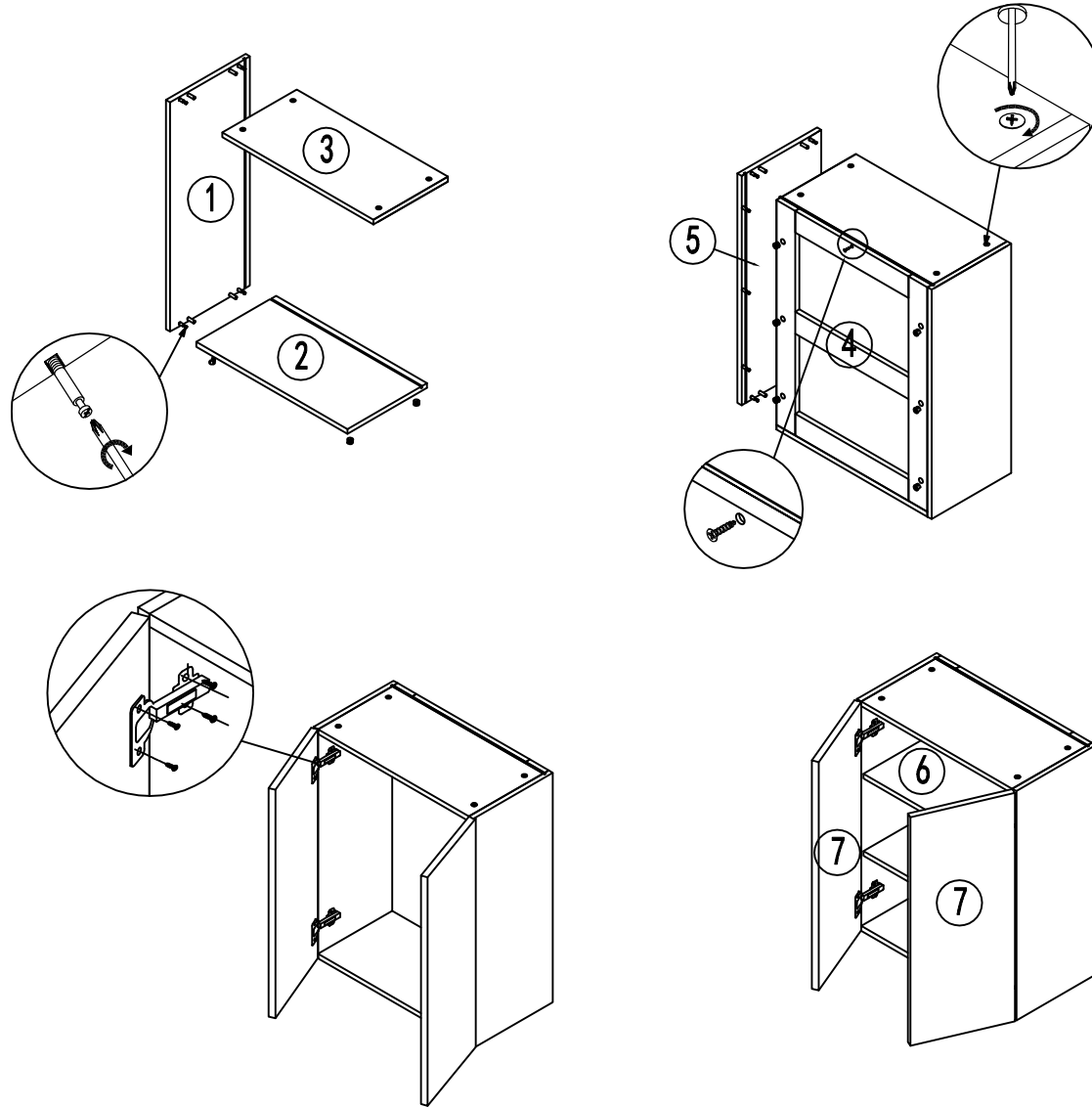


W2736					
PICTURE	ITEM	SPEC	QTY.		
	Hinge	Damper hinges	4		
	Cam lock	Ø15*13	14		
	Cam lock screw	Ø8*35	14		
	Dowel	Ø8*35	8		
	Shelf support	Ø5	8		
BOX					
Part	L	W	T	QTY.	
1	Left panel	36"	12"	3/4"	1
2	Bottom panel	25 1/2"	12"	3/4"	1
3	Top panel	25 1/2"	11 1/8"	3/4"	1
4	Back panel	35 3/8"	25 7/8"	7/8"	1
5	Right panel	36"	12"	3/4"	1
6	shelf	25 1/2"	10 7/8"	3/4"	2
				total 7	
DOOR					
7	door	13 3/8"	35 7/8"	3/4"	2

V 2.0

# ASSEMBLY INSTRUCTION

W3036

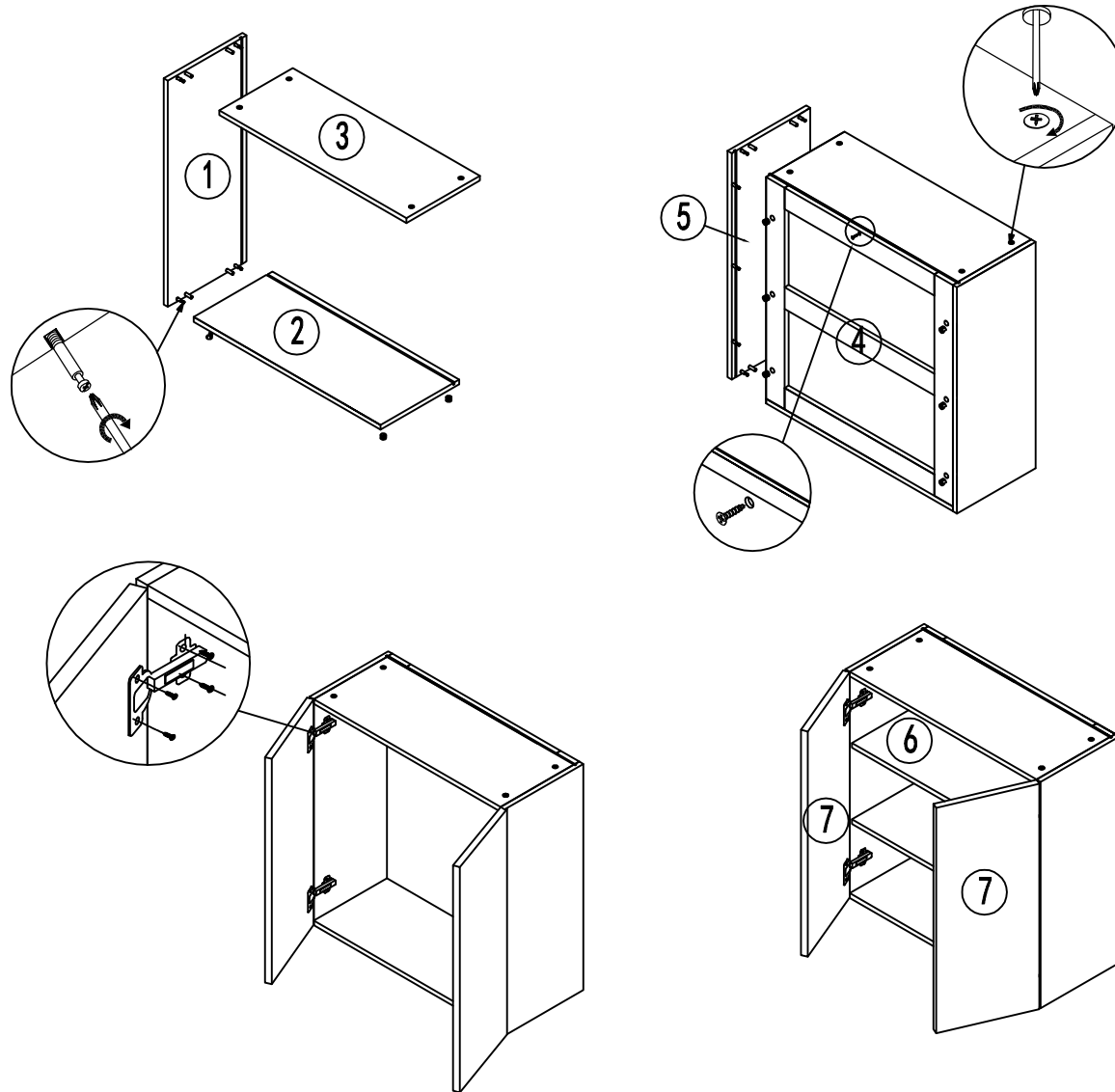


W3036					
PICTURE	ITEM	SPEC	QTY.		
	Hinge	Damper hinges	4		
	Cam lock	Ø15*13	14		
	Cam lock screw	Ø8*35	14		
	Dowel	Ø8*35	8		
	Shelf support	Ø5	8		
	Tapping screw	3.5*35	1		
BOX					
Part	L	W	T	QTY.	
1	Left panel	36"	12"	3/4"	1
2	Bottom panel	28 1/2"	12"	3/4"	1
3	Top panel	28 1/2"	11 1/8"	3/4"	1
4	Back panel	35 3/8"	28 3/8"	7/8"	1
5	Right panel	36"	12"	3/4"	1
6	shelf	28 1/2"	10 7/8"	3/4"	2
total				7	
DOOR					
7	door	14 7/8"	35 7/8"	3/4"	2



# ASSEMBLY INSTRUCTION

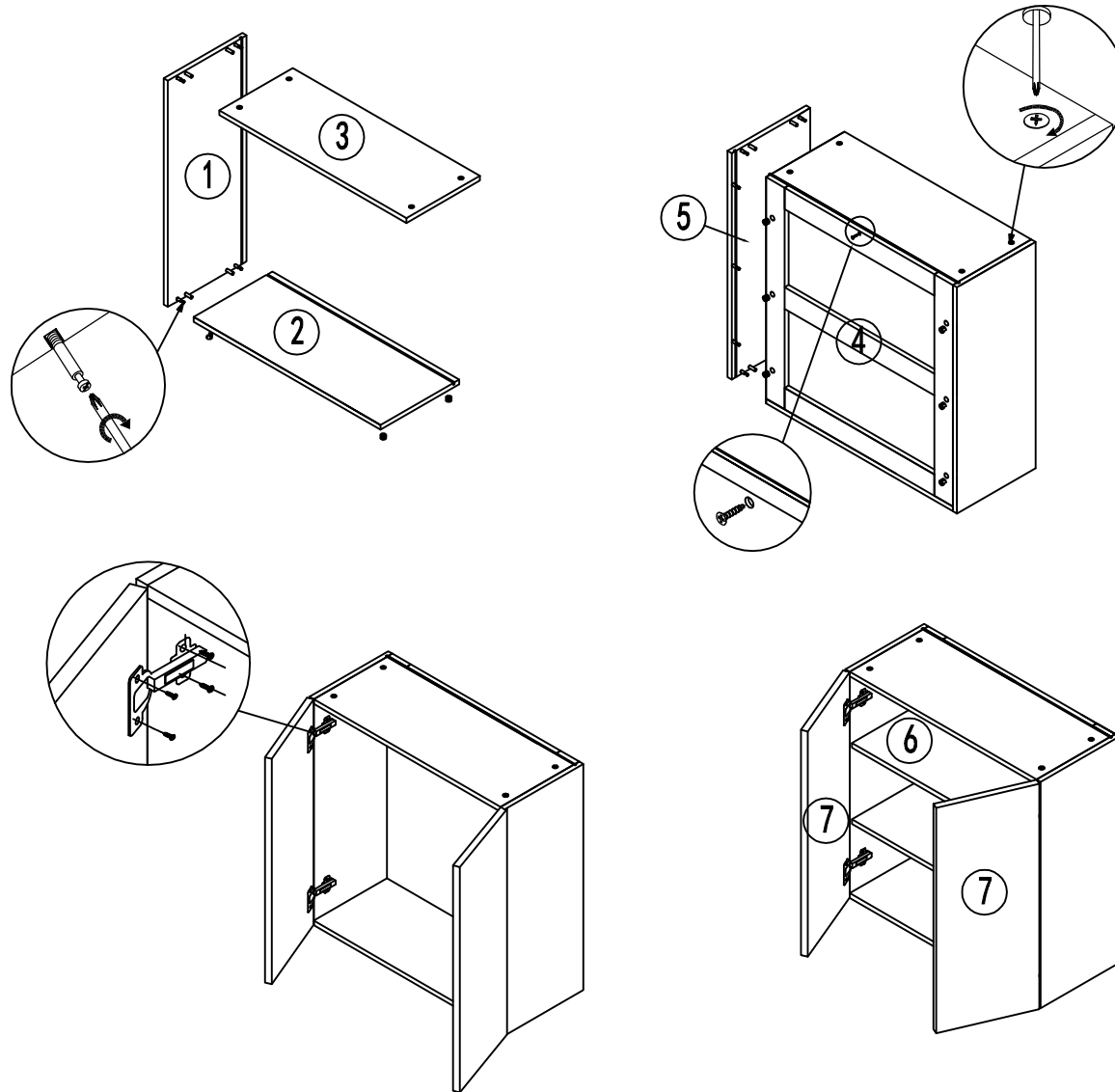
W3336



W3336					
PICTURE	ITEM	SPEC	QTY.		
	Hinge	Damper hinges	4		
	Cam lock	Ø15*13	14		
	Cam lock screw	Ø8*35	14		
	Dowel	Ø8*35	8		
	Shelf support	Ø5	8		
	Tapping screw	3.5*35	1		
BOX					
Part	L	W	T	QTY.	
1	Left panel	36"	12"	3/4"	1
2	Bottom panel	31 1/2"	12"	3/4"	1
3	Top panel	31 1/2"	11 1/8"	3/4"	1
4	Back panel	35 3/8"	31 7/8"	7/8"	1
5	Right panel	36"	12"	3/4"	1
6	Shelf	31 1/2"	10 7/8"	3/4"	2
total				7	
DOOR					
7	Door	16 3/8"	35 7/8"	3/4"	2

# ASSEMBLY INSTRUCTION

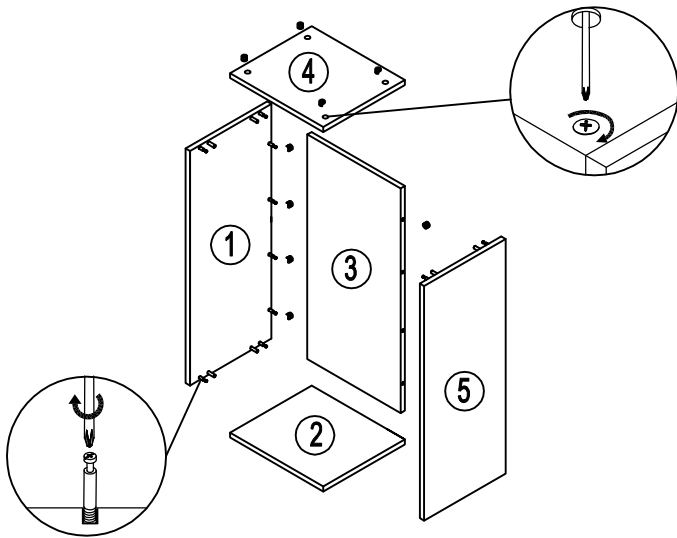
W3636



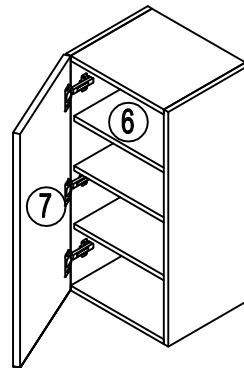
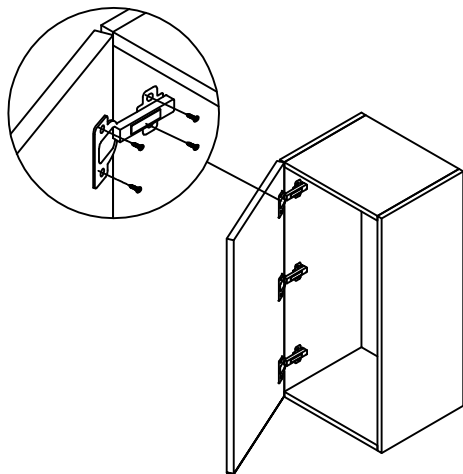
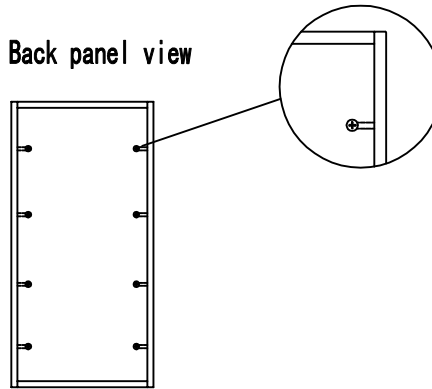
W3636					
PICTURE	ITEM	SPEC	QTY.		
	Hinge	Damper hinges	4		
	Cam lock	Ø15*13	14		
	Cam lock screw	Ø8*35	14		
	Dowel	Ø8*35	8		
	Shelf support	Ø5	8		
	Tapping screw	3.5*35	1		
BOX					
Part	L	W	T	QTY.	
1	Left panel	36"	12"	3/4"	1
2	Bottom panel	34 1/2"	12"	3/4"	1
3	Top panel	34 1/2"	11 1/8"	3/4"	1
4	Back panel	35 3/8"	34 7/8"	7/8"	1
5	Right panel	36"	12"	3/4"	1
6	Shelf	34 1/2"	10 7/8"	3/4"	2
total				7	
DOOR					
7	Door	17 7/8"	35 7/8"	3/4"	2

# ASSEMBLY INSTRUCTION

W0942



Back panel view



W0942

PICTURE	ITEM	SPEC	QTY.
	Hinge	Damper hinges	3
	Cam lock	Ø15*13	16
	Cam lock screw	Ø8*35	16
	Dowel	Ø8*35	8
	Shelf support	Ø5	12

BOX

Part	L	W	T	QTY.
1 Left panel	42"	12"	3/4"	1
2 Bottom panel	7 1/2"	12"	3/4"	1
3 Back panel	40 1/2"	7 1/2"	3/4"	1
4 Top panel	7 1/2"	12"	3/4"	1
5 Right panel	42"	12"	3/4"	1
6 shelf	7 1/2"	10 7/8"	3/4"	3
				total 8

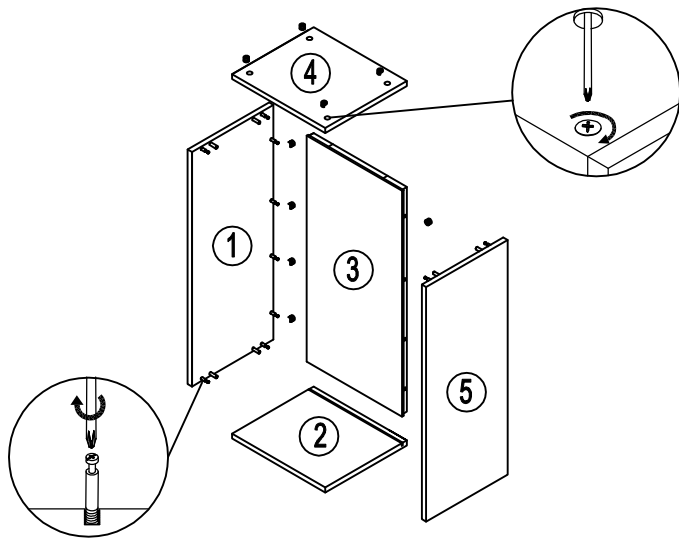
DOOR

7 Door	8 7/8"	41 7/8"	3/4"	1
--------	--------	---------	------	---

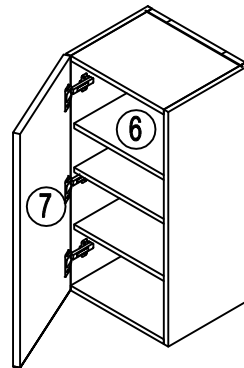
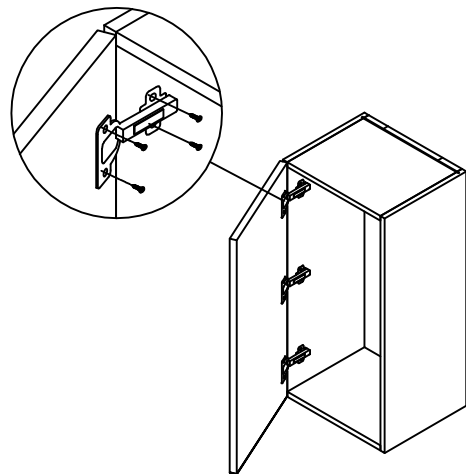
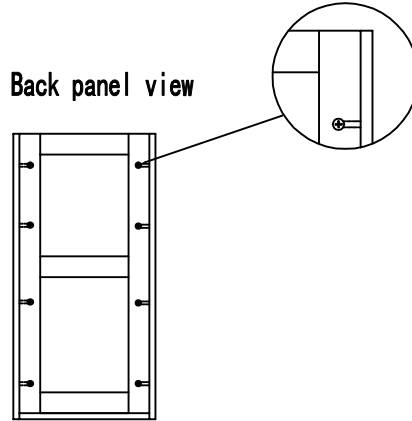
V 2.0

# ASSEMBLY INSTRUCTION

## W1242



Back panel view



W1242

PICTURE	ITEM	SPEC	QTY.
	Hinge	Damper hinges	3
	Cam lock	Ø15*13	16
	Cam lock screw	Ø8*35	16
	Dowel	Ø8*35	8
	Shelf support	Ø5	12

### BOX

Part	L	W	T	QTY.
1 Left panel	42"	12"	3/4"	1
2 Bottom panel	10 1/2"	12"	3/4"	1
3 Back panel	41 3/8"	10 7/8"	7/8"	1
4 Top panel	10 1/2"	11 1/8"	3/4"	1
5 Right panel	42"	12"	3/4"	1
6 shelf	10 1/2"	10 7/8"	3/4"	3
				total 8

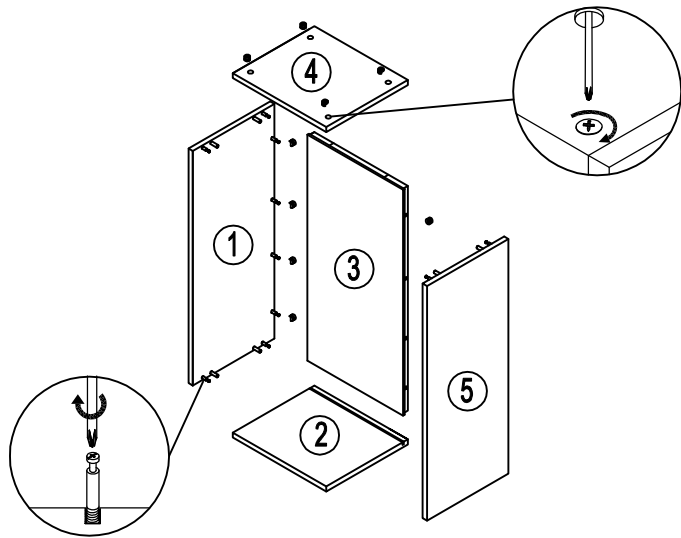
### DOOR

7 Door	11 7/8"	41 7/8"	3/4"	1
--------	---------	---------	------	---

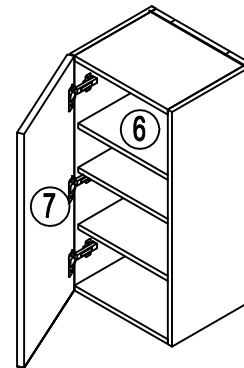
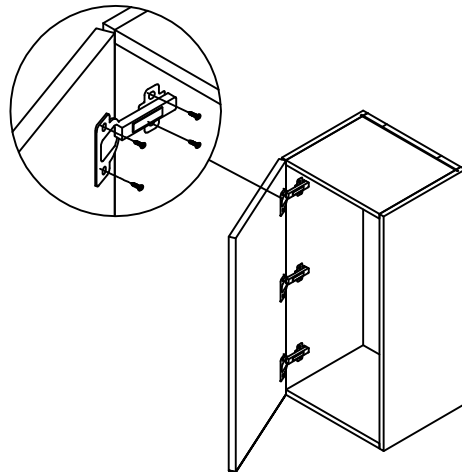
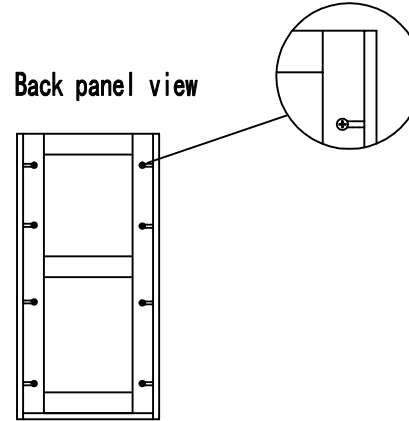
V 2.0

# ASSEMBLY INSTRUCTION

## W1542



Back panel view



W1542

PICTURE	ITEM	SPEC	QTY.
	Hinge	Damper hinges	3
	Cam lock	Ø15*13	16
	Cam lock screw	Ø8*35	16
	Dowel	Ø8*35	8
	Shelf support	Ø5	12

BOX

Part	L	W	T	QTY.
1 Left panel	42"	12"	3/4"	1
2 Bottom panel	13 1/2"	12"	3/4"	1
3 Back panel	41 3/8"	13 7/8"	7/8"	1
4 Top panel	13 1/2"	11 1/8"	3/4"	1
5 Right panel	42"	12"	3/4"	1
6 shelf	13 1/2"	10 7/8"	3/4"	3
				total 8

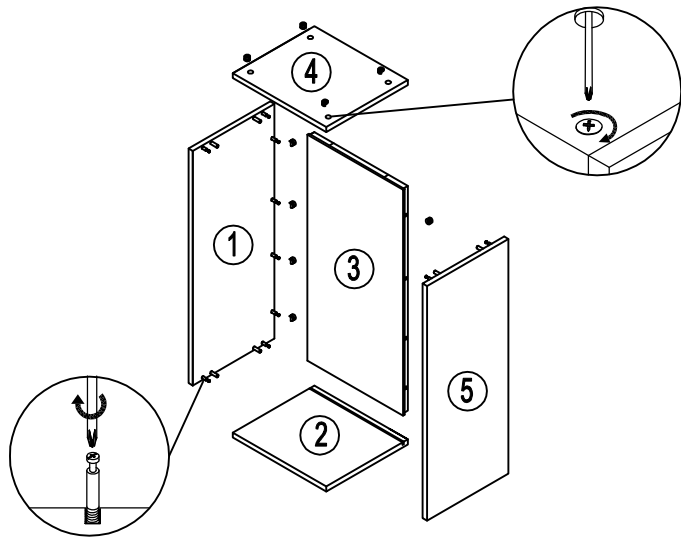
DOOR

7 Door	14 7/8"	41 7/8"	3/4"	1
--------	---------	---------	------	---

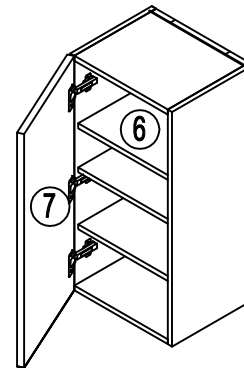
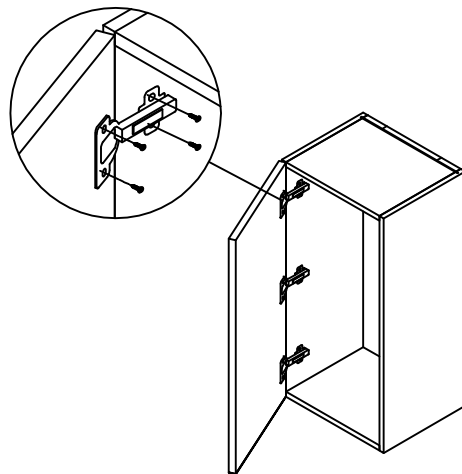
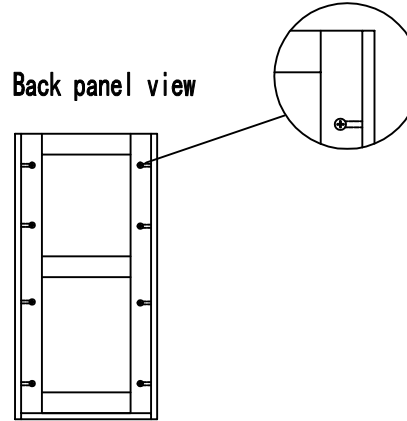
V 2.0

# ASSEMBLY INSTRUCTION

## W1842



Back panel view



W1842

PICTURE	ITEM	SPEC	QTY.
	Hinge	Damper hinges	3
	Cam lock	Ø15*13	16
	Cam lock screw	Ø8*35	16
	Dowel	Ø8*35	8
	Shelf support	Ø5	12

BOX

Part	L	W	T	QTY.
1 Left panel	42"	12"	3/4"	1
2 Bottom panel	16 1/2"	12"	3/4"	1
3 Back panel	41 3/8"	16 7/8"	7/8"	1
4 Top panel	16 1/2"	11 1/8"	3/4"	1
5 Right panel	42"	12"	3/4"	1
6 shelf	16 1/2"	10 7/8"	3/4"	3
				total 8

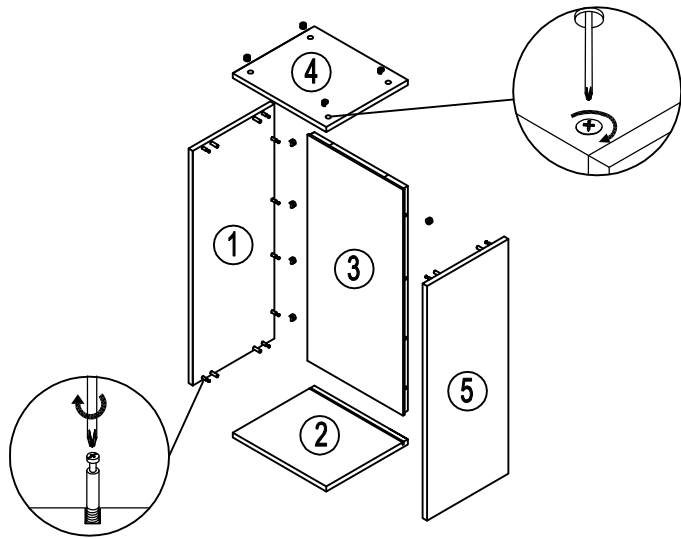
DOOR

7 door	17 7/8"	41 7/8"	3/4"	1
--------	---------	---------	------	---

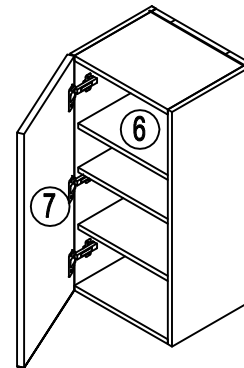
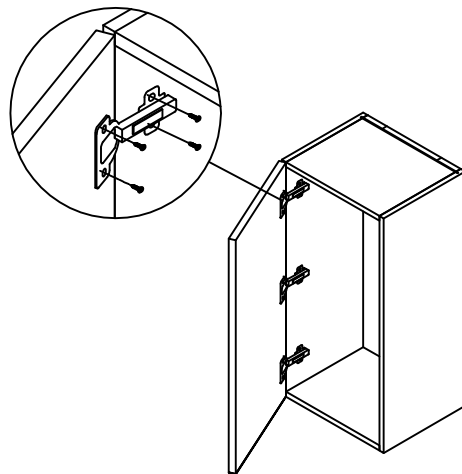
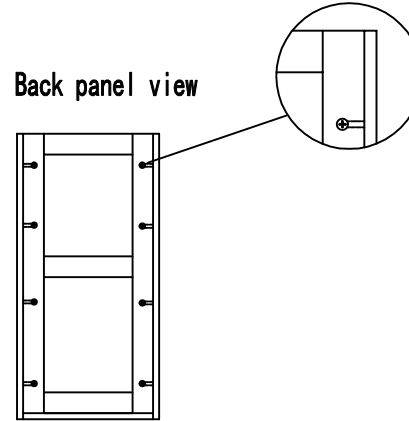
V 2.0

# ASSEMBLY INSTRUCTION

## W2142



Back panel view



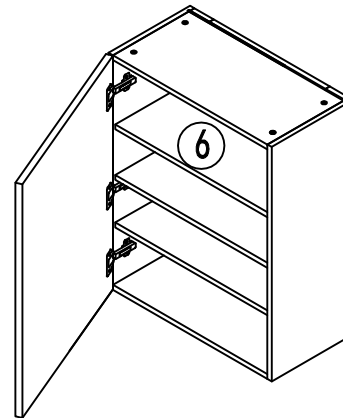
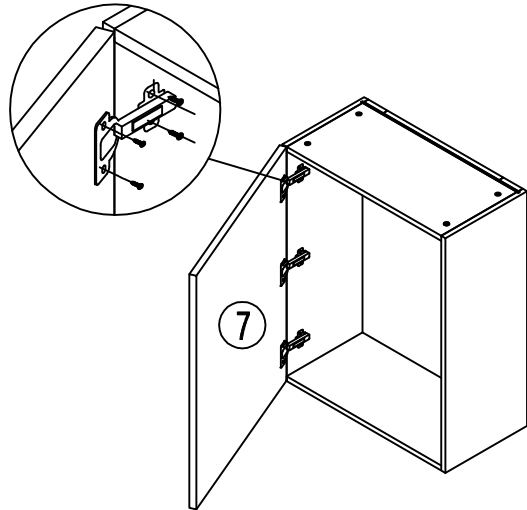
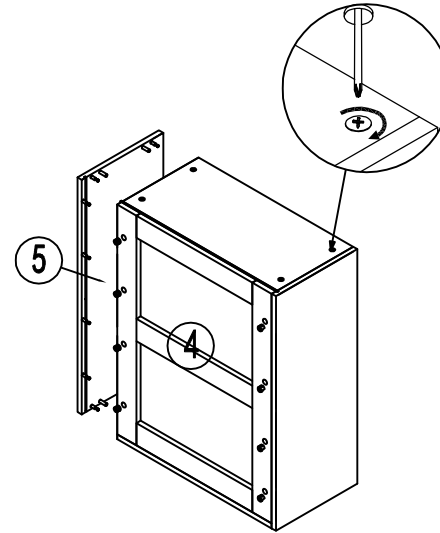
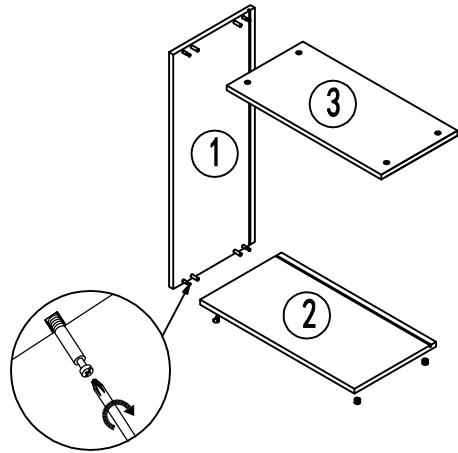
W2142

PICTURE	ITEM	SPEC	QTY.		
	Hinge	Damper hinges	3		
	Cam lock	Ø15*13	16		
	Cam lock screw	Ø8*35	16		
	Dowel	Ø8*35	8		
	Shelf support	Ø5	12		
<b>BOX</b>					
	<b>Part</b>	<b>L</b>	<b>W</b>	<b>T</b>	<b>QTY.</b>
1	Left panel	42"	12"	3/4"	1
2	Bottom panel	19 1/2"	12"	3/4"	1
3	Back panel	41 3/8"	19 7/8"	7/8"	1
4	Top panel	19 1/2"	11 1/8"	3/4"	1
5	Right panel	42"	12"	3/4"	1
6	shelf	19 1/2"	10 7/8"	3/4"	3
total					8
<b>DOOR</b>					
7	door	20 7/8"	41 7/8"	3/4"	1

V 2.0

# ASSEMBLY INSTRUCTION

## W2442



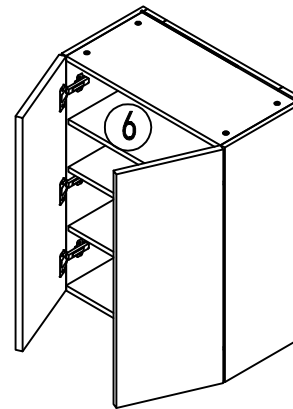
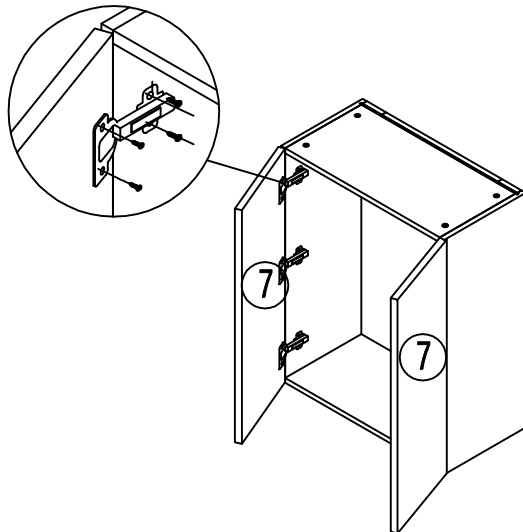
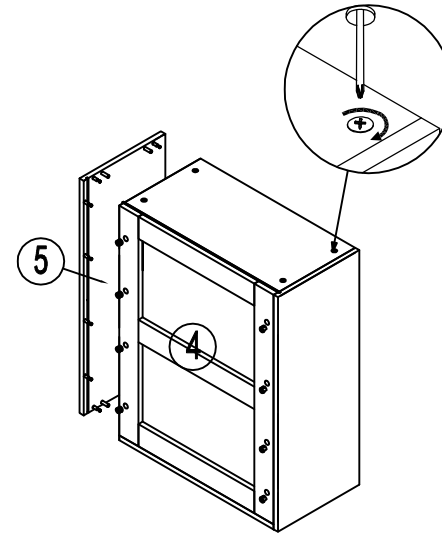
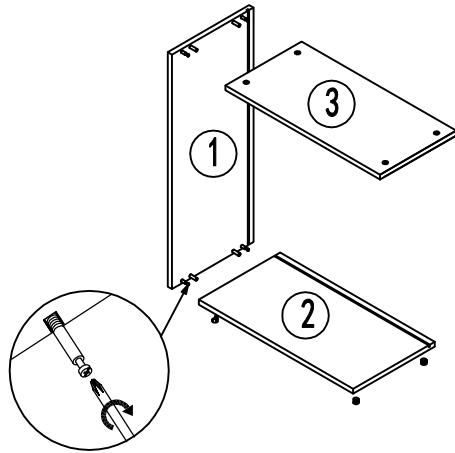
W2442					
PICTURE	ITEM	SPEC	QTY.		
	Hinge	Damper hinges	3		
	Cam lock	Ø15*13	16		
	Cam lock screw	Ø8*35	16		
	Dowel	Ø8*35	8		
	Shelf support	Ø5	12		
BOX					
Part	L	W	T	QTY.	
1	Left panel	42"	12"	3/4"	1
2	Bottom panel	22 1/2"	12"	3/4"	1
3	Top panel	22 1/2"	11 1/8"	3/4"	1
4	Back panel	41 3/8"	22 7/8"	7/8"	1
5	Right panel	42"	12"	3/4"	1
6	Shelf	22 1/2"	10 7/8"	3/4"	3
				total 8	
DOOR					
7	Door	23 7/8"	41 7/8"	3/4"	1

V 2.0



# ASSEMBLY INSTRUCTION

## W2442DD



W2442DD

PICTURE	ITEM	SPEC	QTY.
	Hinge	Damper hinges	6
	Cam lock	Ø15*13	16
	Cam lock screw	Ø8*35	16
	Dowel	Ø8*35	8
	Shelf support	Ø5	12

BOX

Part	L	W	T	QTY.
1 Left panel	42"	12"	3/4"	1
2 Bottom panel	22 1/2"	12"	3/4"	1
3 Top panel	22 1/2"	11 1/8"	3/4"	1
4 Back panel	41 3/8"	22 7/8"	7/8"	1
5 Right panel	42"	12"	3/4"	1
6 shelf	22 1/2"	10 7/8"	3/4"	3
				total 8

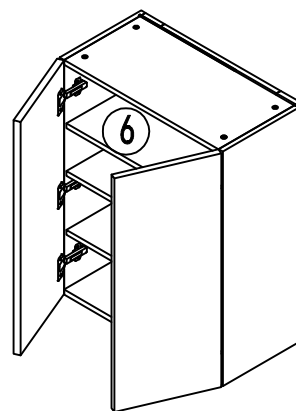
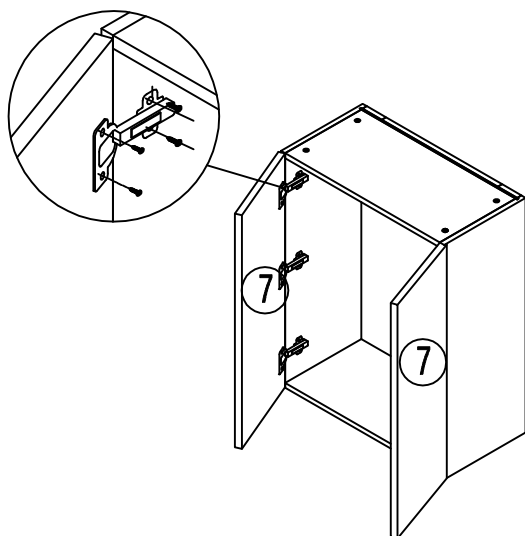
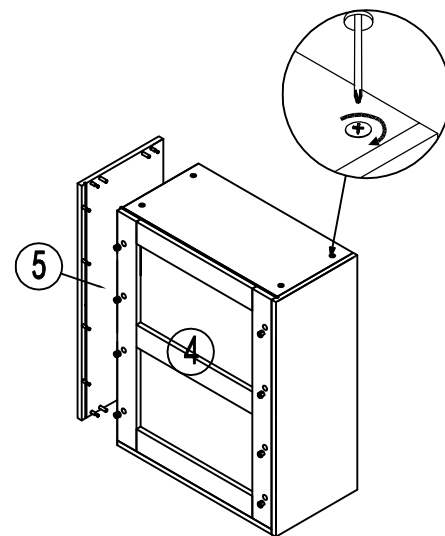
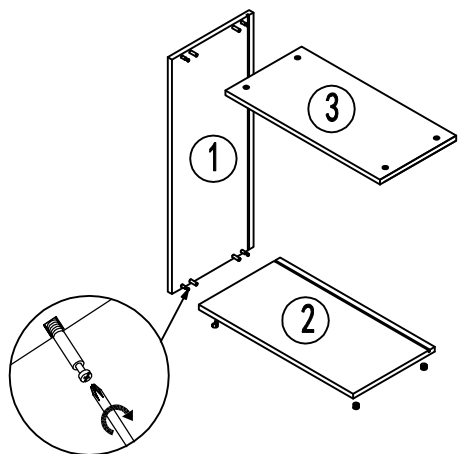
DOOR

7 door	11 7/8"	41 7/8"	3/4"	2
--------	---------	---------	------	---

V 2.0

# ASSEMBLY INSTRUCTION

## W2742

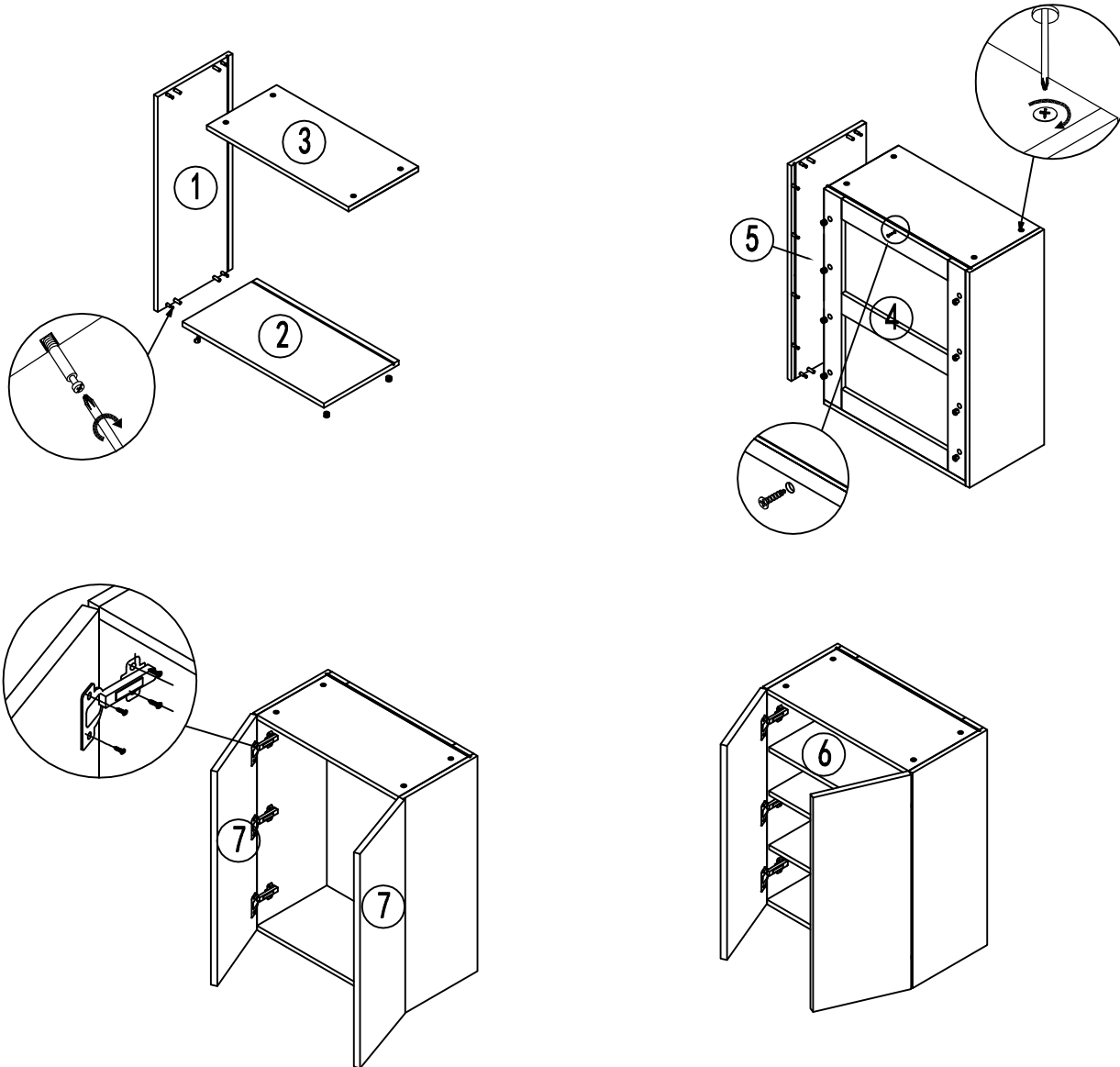


W2742					
PICTURE	ITEM	SPEC	QTY.		
	Hinge	Damper hinges	6		
	Cam lock	Ø15*13	16		
	Cam lock screw	Ø8*35	16		
	Dowel	Ø8*35	8		
	Shelf support	Ø5	12		
BOX					
Part	L	W	T	QTY.	
1	Left panel	42"	12"	3/4"	1
2	Bottom panel	25 1/2"	12"	3/4"	1
3	Top panel	25 1/2"	11 1/8"	3/4"	1
4	Back panel	41 3/8"	25 7/8"	7/8"	1
5	Right panel	42"	12"	3/4"	1
6	shelf	25 1/2"	10 7/8"	3/4"	3
total				8	
DOOR					
7	door	13 3/8"	41 7/8"	3/4"	2

V 2.0

# ASSEMBLY INSTRUCTION

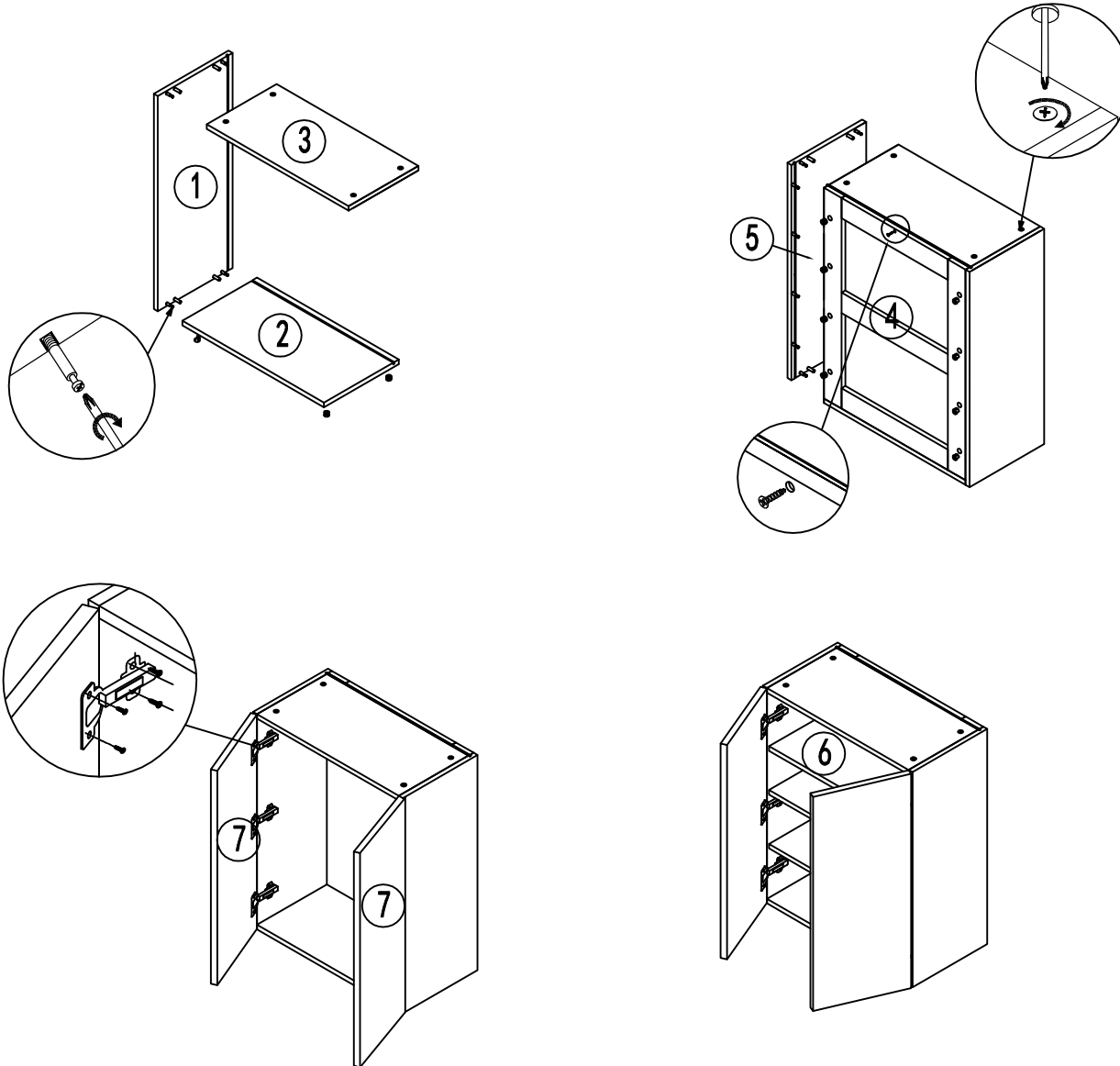
## W3042



W3042					
PICTURE	ITEM	SPEC	QTY.		
	Hinge	Damper hinges	6		
	Cam lock	Ø15*13	16		
	Cam lock screw	Ø8*35	16		
	Dowel	Ø8*35	8		
	Shelf support	Ø5	12		
	Tapping screw	3.5*35	1		
BOX					
Part	L	W	T	QTY.	
1	Left panel	42"	12"	3/4"	1
2	Bottom panel	28 1/2"	12"	3/4"	1
3	Top panel	28 1/2"	11 1/8"	3/4"	1
4	Back panel	41 3/8"	28 7/8"	7/8"	1
5	Right panel	42"	12"	3/4"	1
6	shelf	28 1/2"	10 7/8"	3/4"	3
total				8	
DOOR					
7	door	14 7/8"	41 7/8"	3/4"	2

# ASSEMBLY INSTRUCTION

## W3342

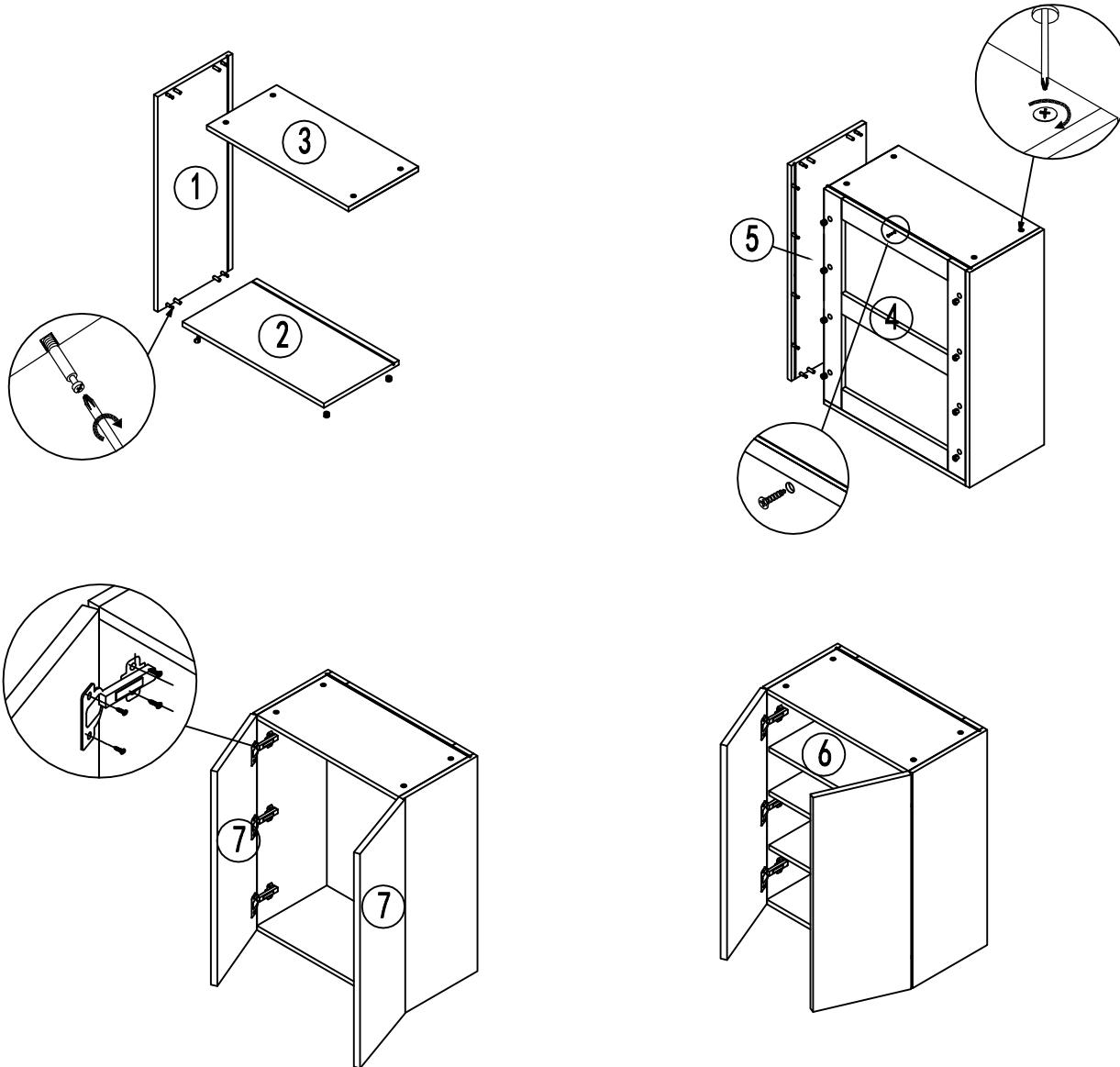


W3342					
PICTURE	ITEM	SPEC	QTY.		
	Hinge	Damper hinges	6		
	Cam lock	Ø15*13	16		
	Cam lock screw	Ø8*35	16		
	Dowel	Ø8*35	8		
	Shelf support	Ø5	12		
	Tapping screw	3.5*35	1		
BOX					
Part	L	W	T	QTY.	
1	Left panel	42"	12"	3/4"	1
2	Bottom panel	31 1/2"	12"	3/4"	1
3	Top panel	31 1/2"	11 1/8"	3/4"	1
4	Back panel	41 3/8"	31 7/8"	7/8"	1
5	Right panel	42"	12"	3/4"	1
6	Shelf	31 1/2"	10 7/8"	3/4"	3
total				8	
DOOR					
7	Door	16 3/8"	41 7/8"	3/4"	2

V 2.0

# ASSEMBLY INSTRUCTION

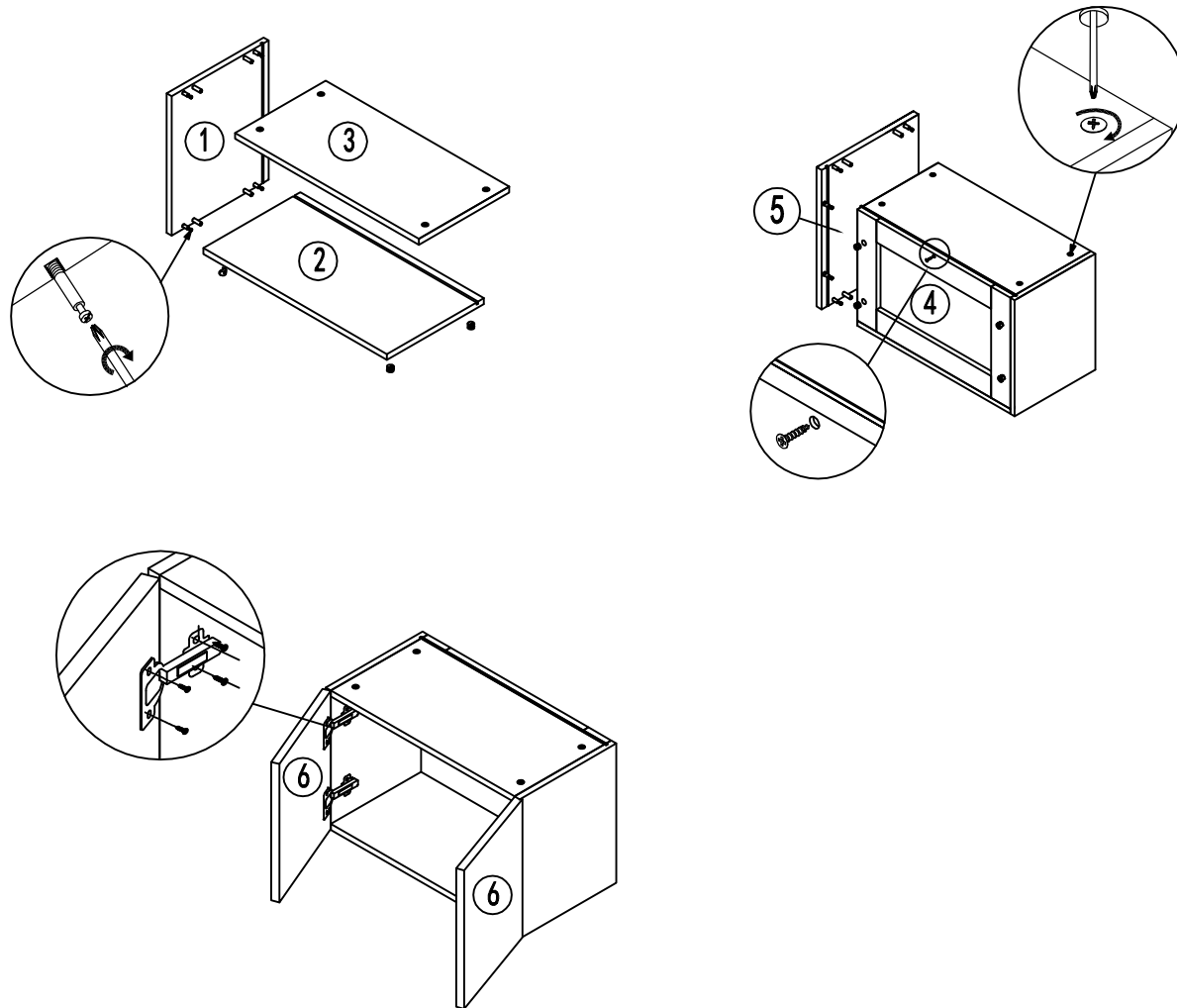
W3642



W3642					
PICTURE	ITEM	SPEC	QTY.		
	Hinge	Damper hinges	6		
	Cam lock	Ø15*13	16		
	Cam lock screw	Ø8*35	16		
	Dowel	Ø8*35	8		
	Shelf support	Ø5	12		
	Tapping screw	3.5*35	1		
BOX					
Part	L	W	T	QTY.	
1	Left panel	42"	12"	3/4"	1
2	Bottom panel	34 1/2"	12"	3/4"	1
3	Top panel	34 1/2"	11 1/8"	3/4"	1
4	Back panel	34 7/8"	41 3/8"	7/8"	1
5	Right panel	41"	12"	3/4"	1
6	shelf	34 1/2"	10 7/8"	3/4"	3
total				8	
DOOR					
7	door	17 7/8"	41 7/8"	3/4"	2

# ASSEMBLY INSTRUCTION

## W3012

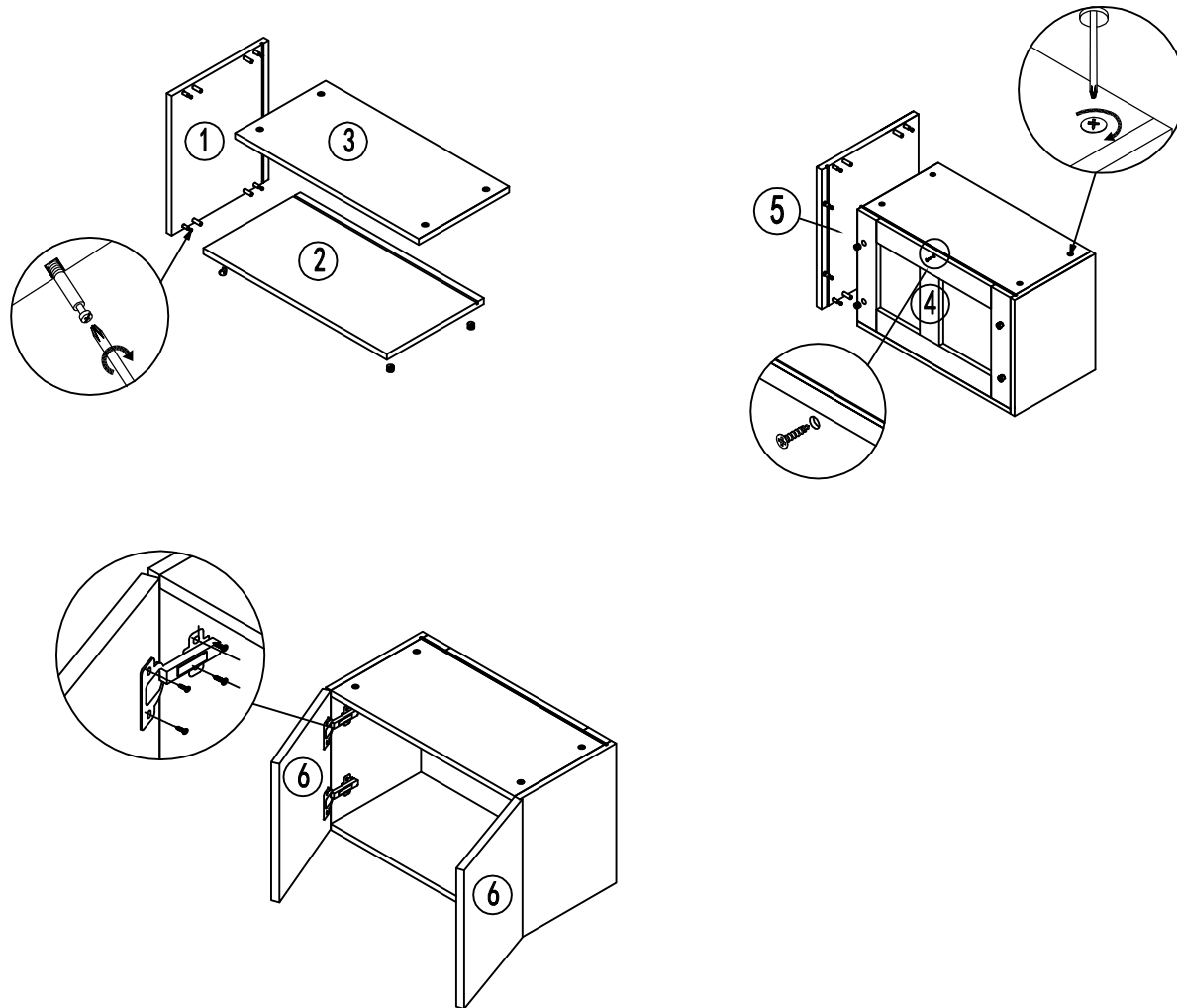


W3012					
PICTURE	ITEM	SPEC	QTY.		
	Hinge	Damper hinges	4		
	Cam lock	Ø15*13	12		
	Cam lock screw	Ø8*35	12		
	Dowel	Ø8*35	8		
	Tapping screw	3.5*35	1		
BOX					
Part	L	W	T	QTY.	
1	Left panel	12"	12"	3/4"	1
2	Bottom panel	28 1/2"	12"	3/4"	1
3	Top panel	28 1/2"	11 1/8"	3/4"	1
4	Back panel	28 7/8"	11 3/8"	7/8"	1
5	Right panel	12"	12"	3/4"	1
				total 5	
DOOR					
6	door	14 7/8"	11 7/8"	3/4"	2

V 2.0

# ASSEMBLY INSTRUCTION

## W3312

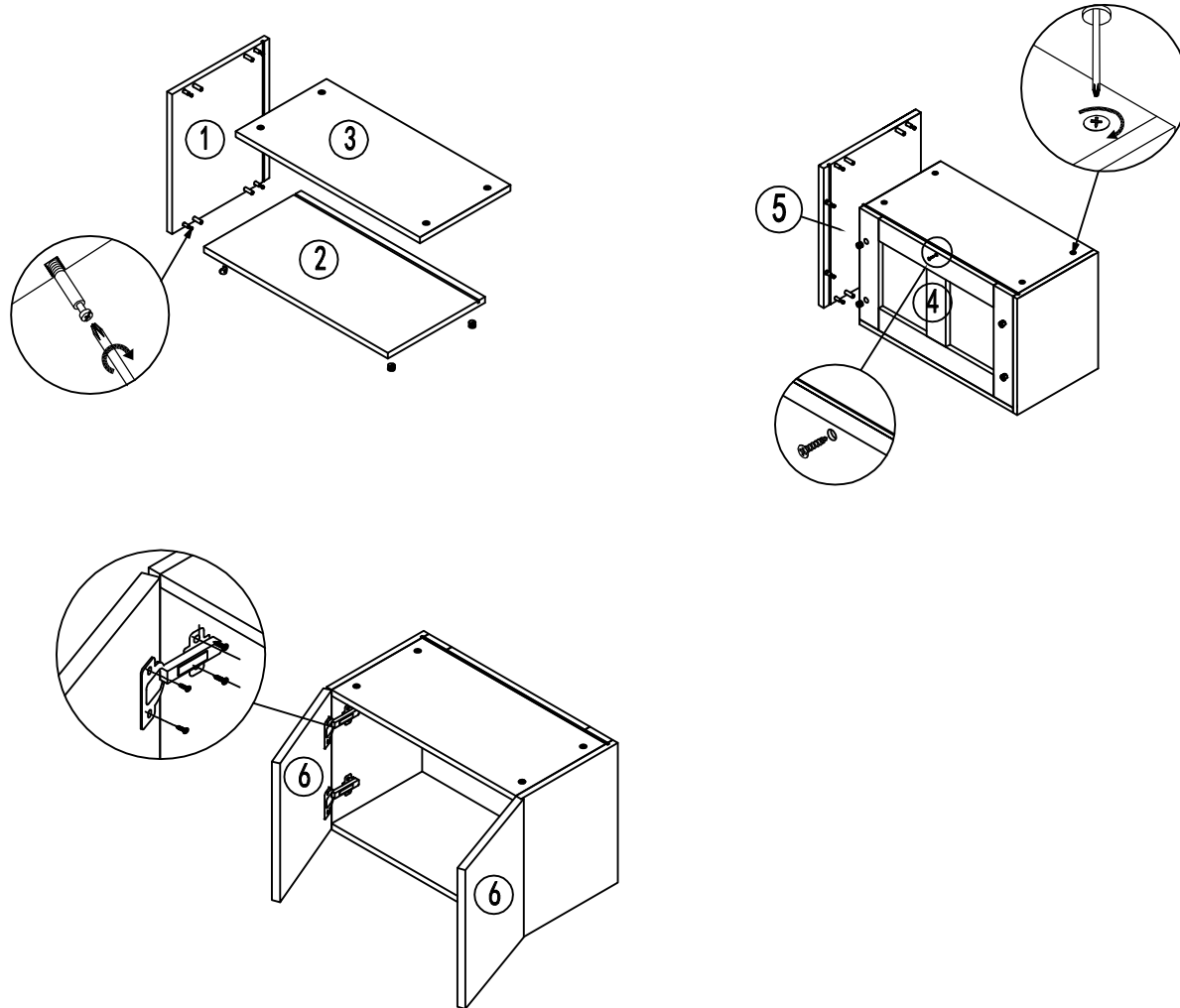


W3312					
PICTURE	ITEM	SPEC	QTY.		
	Hinge	Damper hinges	4		
	Cam lock	Ø15*13	12		
	Cam lock screw	Ø8*35	12		
	Dowel	Ø8*35	8		
	Tapping screw	3.5*35	1		
BOX					
Part	L	W	T	QTY.	
1	Left panel	12"	12"	3/4"	1
2	Bottom panel	31 1/2"	12"	3/4"	1
3	Top panel	31 1/2"	11 1/8"	3/4"	1
4	Back panel	11 3/8"	31 7/8"	7/8"	1
5	Right panel	12"	12"	3/4"	1
total				5	
DOOR					
6	door	11 7/8"	16 3/8"	3/4"	2

V 2.0

# ASSEMBLY INSTRUCTION

## W3612



W3612

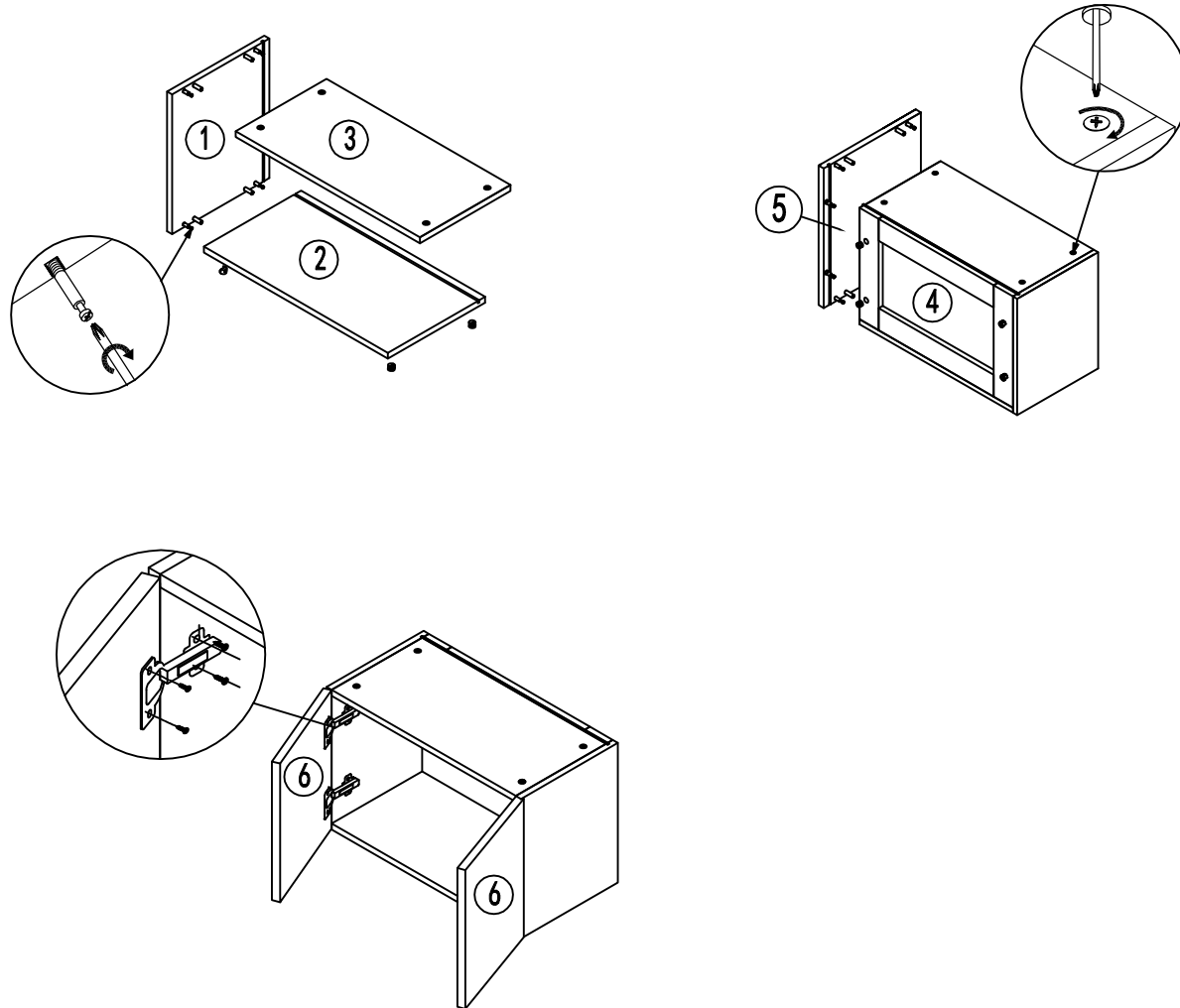
PICTURE	ITEM	SPEC	QTY.		
	Hinge	Damper hinges	4		
	Cam lock	Ø15*13	12		
	Cam lock screw	Ø8*35	12		
	Dowel	Ø8*35	8		
	Tapping screw	3.5*35	1		
<b>BOX</b>					
Part	L	W	T	QTY.	
1	Left panel	12"	12"	3/4"	1
2	Bottom panel	34 1/2"	12"	3/4"	1
3	Top panel	34 1/2"	11 1/8"	3/4"	1
4	Back panel	34 7/8"	11 3/8"	7/8"	1
5	Right panel	12"	12"	3/4"	1
total 5					
<b>DOOR</b>					
6	Door	17 7/8"	11 7/8"	3/4"	2

V 2.0



# ASSEMBLY INSTRUCTION

## W2412DD

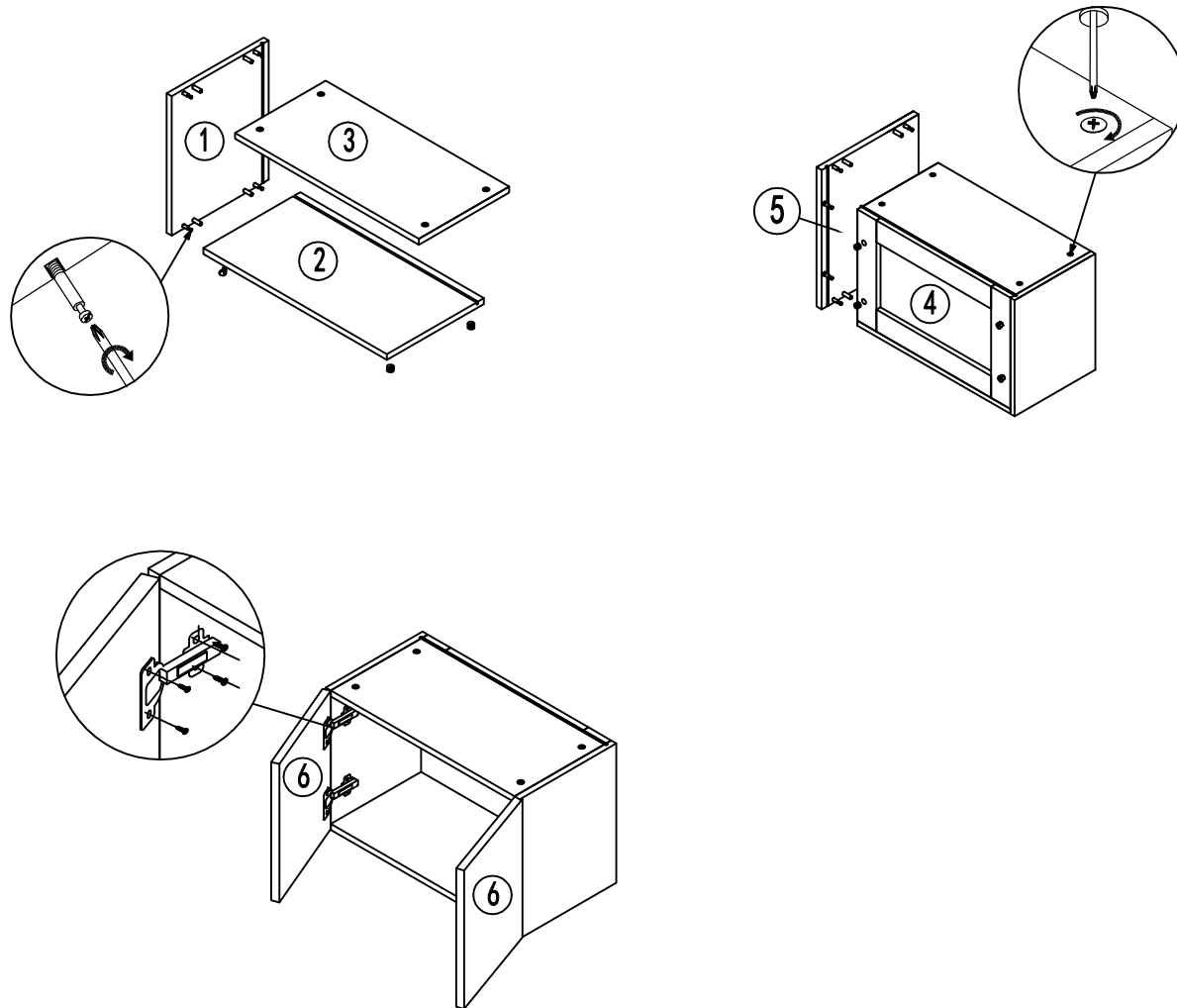


W2412DD					
PICTURE	ITEM	SPEC	QTY.		
	Hinge	Damper hinges	4		
	Cam lock	Ø15*13	16		
	Cam lock screw	Ø8*35	16		
	Dowel	Ø8*35	8		
	Tapping screw	3.5*35	1		
BOX					
Part	L	W	T	QTY.	
1	Left panel	12"	12"	3/4"	1
2	Bottom panel	22 1/2"	12"	3/4"	1
3	Top panel	22 1/2"	11 1/8"	3/4"	1
4	Back panel	22 7/8"	11 3/8"	7/8"	1
5	Right panel	12"	12"	3/4"	1
				total 5	
DOOR					
6	door	11 7/8"	11 7/8"	3/4"	2

V 2.0

# ASSEMBLY INSTRUCTION

## W2712

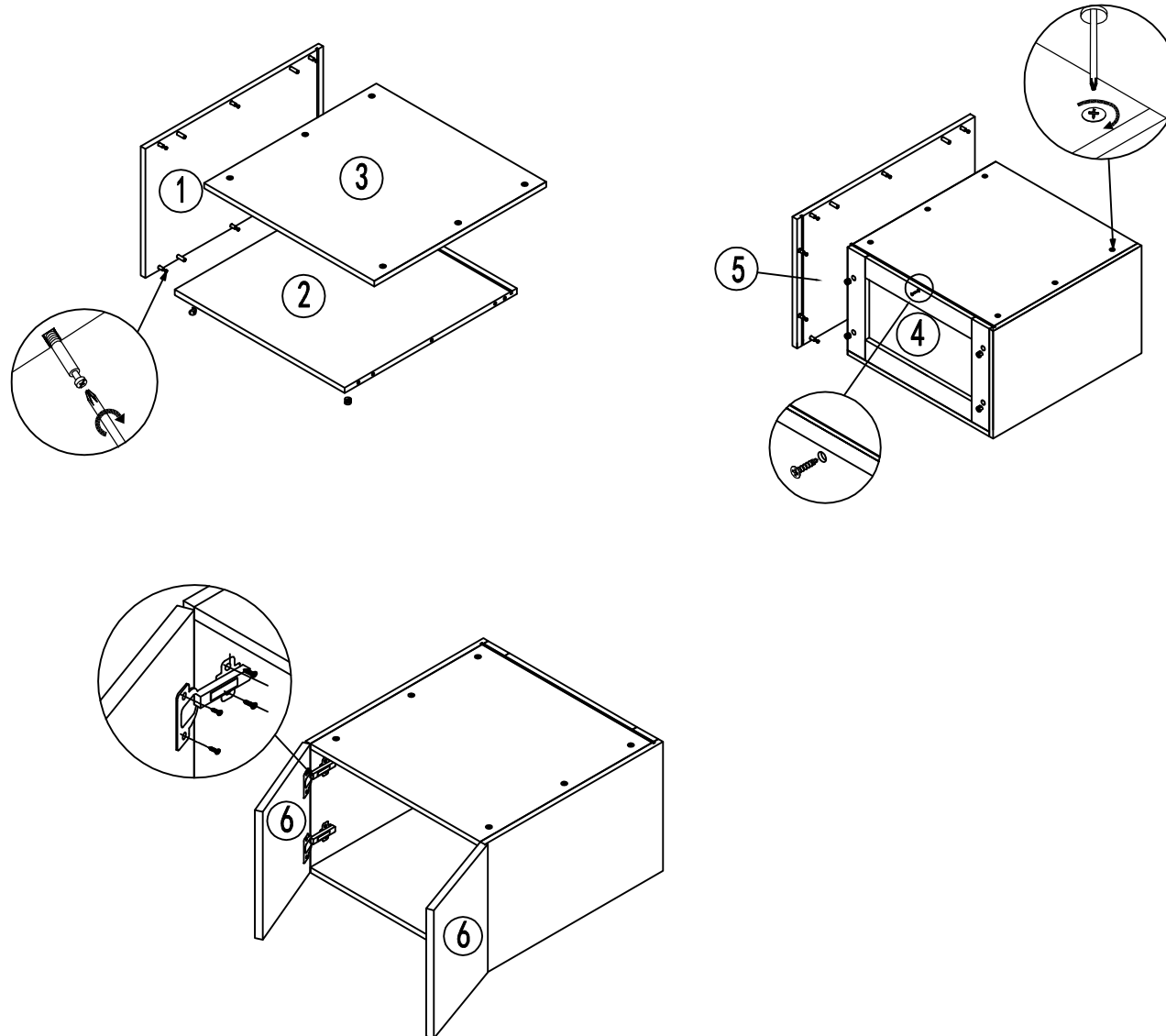


W2712					
PICTURE	ITEM	SPEC	QTY.		
	Hinge	Damper hinges	4		
	Cam lock	Ø15*13	16		
	Cam lock screw	Ø8*35	16		
	Dowel	Ø8*35	8		
	Tapping screw	3.5*35	1		
BOX					
Part	L	W	T	QTY.	
1	Left panel	12"	12"	3/4"	1
2	Bottom panel	25 1/2"	12"	3/4"	1
3	Top panel	25 1/2"	11 1/8"	3/4"	1
4	Back panel	25 7/8"	11 3/8"	7/8"	1
5	Right panel	12"	12"	3/4"	1
				total 5	
DOOR					
6	door	13 3/8"	11 7/8"	3/4"	2

V 2.0

# ASSEMBLY INSTRUCTION

W301224



W301224

PICTURE	ITEM	SPEC	QTY.
	Hinge	Damper hinges	4
	Cam lock	Ø15*13	16
	Cam lock screw	Ø8*35	16
	Dowel	Ø8*35	8
	Tapping screw	3.5*35	1

## BOX

Part	L	W	T	QTY.
1 Left panel	24"	12"	3/4"	1
2 Bottom panel	28 1/2"	24"	3/4"	1
3 Top panel	28 1/2"	22 7/8"	3/4"	1
4 Back panel	28 7/8"	11 3/8"	7/8"	1
5 Right panel	24"	12"	3/4"	1
total 5				

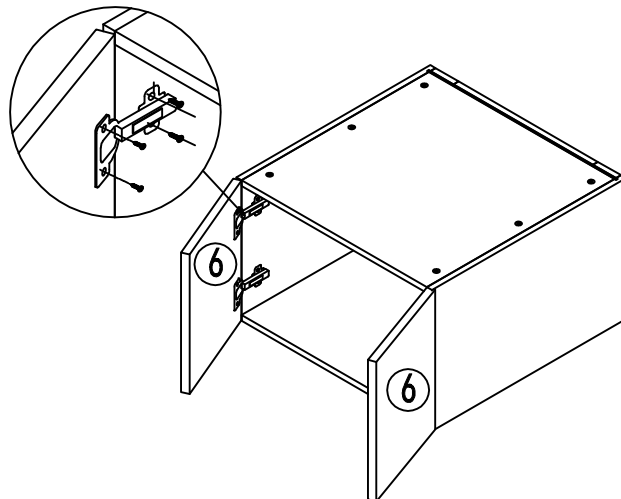
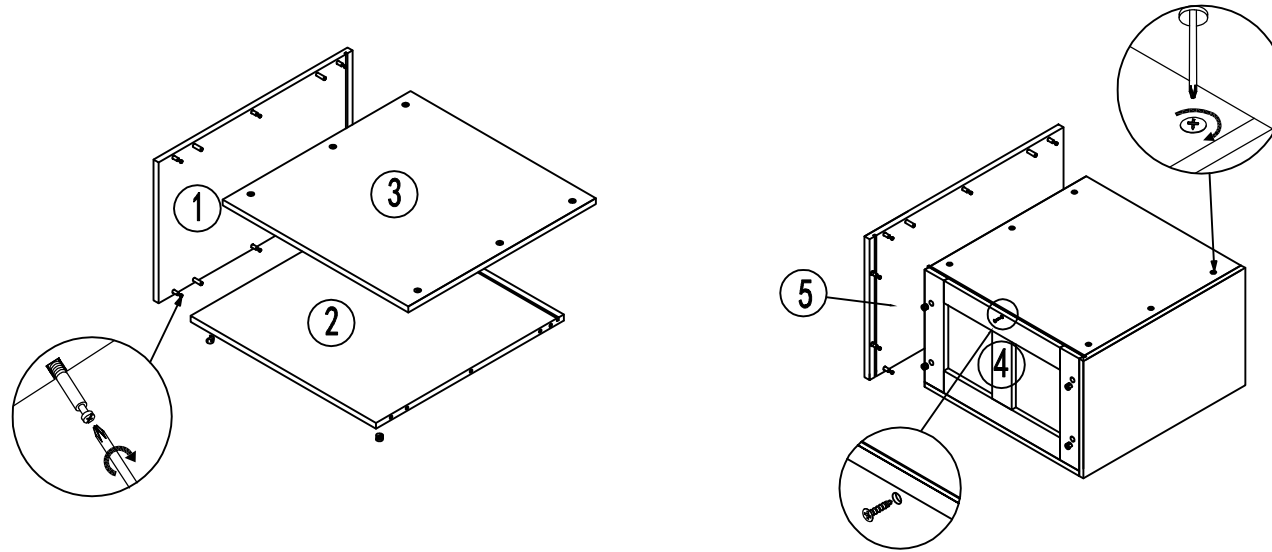
## DOOR

6 Door	14 7/8"	11 7/8"	3/4"	2
--------	---------	---------	------	---

V 2.0

# ASSEMBLY INSTRUCTION

W331224

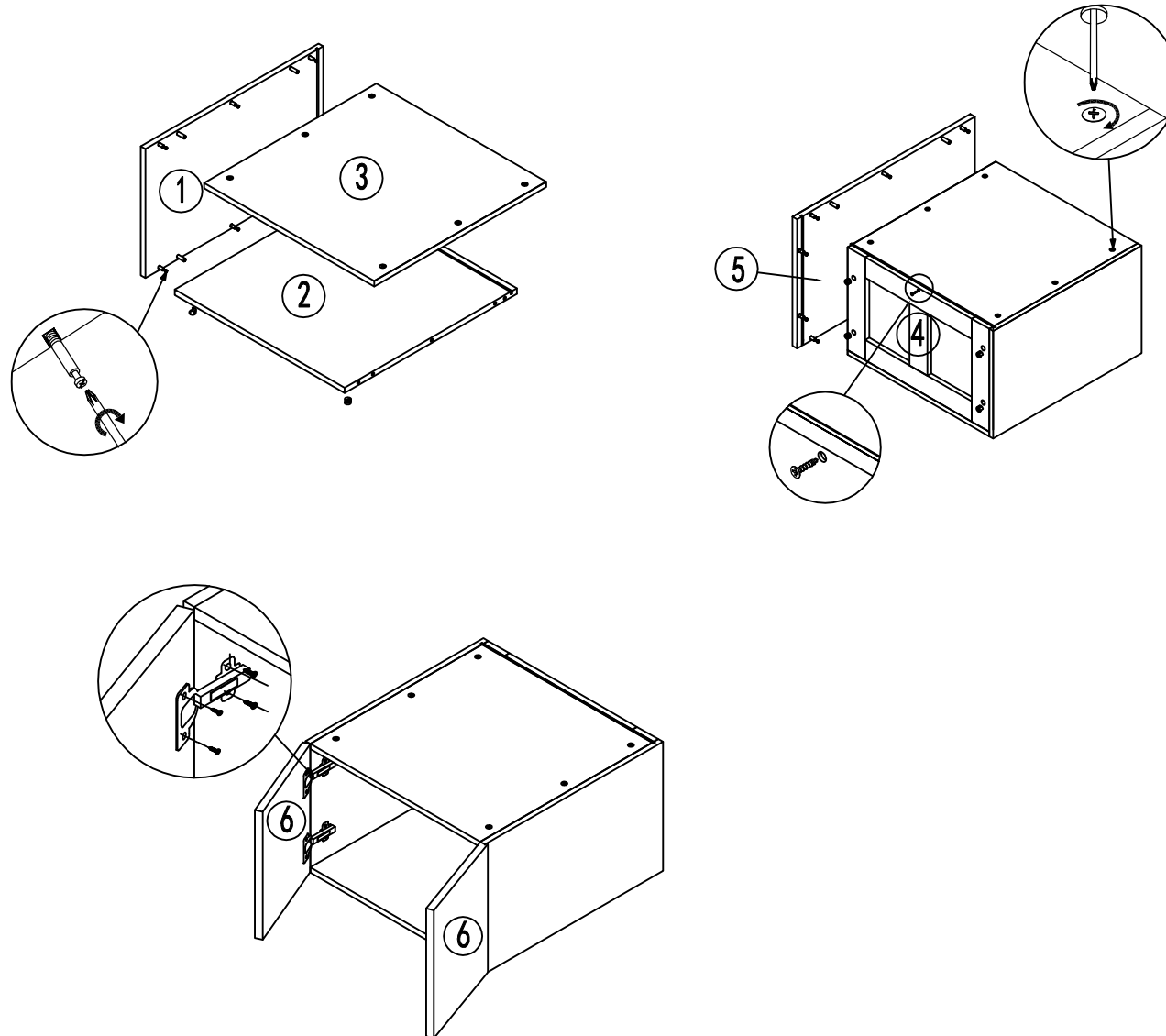


W331224					
PICTURE	ITEM	SPEC	QTY.		
	Hinge	Damper hinges	4		
	Cam lock	Ø15*13	16		
	Cam lock screw	Ø8*35	16		
	Dowel	Ø8*35	8		
	Tapping screw	3.5*35	1		
BOX					
Part	L	W	T	QTY.	
1	Left panel	24"	12"	3/4"	1
2	Bottom panel	31 1/2"	24"	3/4"	1
3	Top panel	31 1/2"	22 7/8"	3/4"	1
4	Back panel	31 7/8"	11 3/8"	7/8"	1
5	Right panel	24"	12"	3/4"	1
total				5	
DOOR					
6	Door	16 3/8"	11 7/8"	3/4"	2

V 2.0

# ASSEMBLY INSTRUCTION

W361224



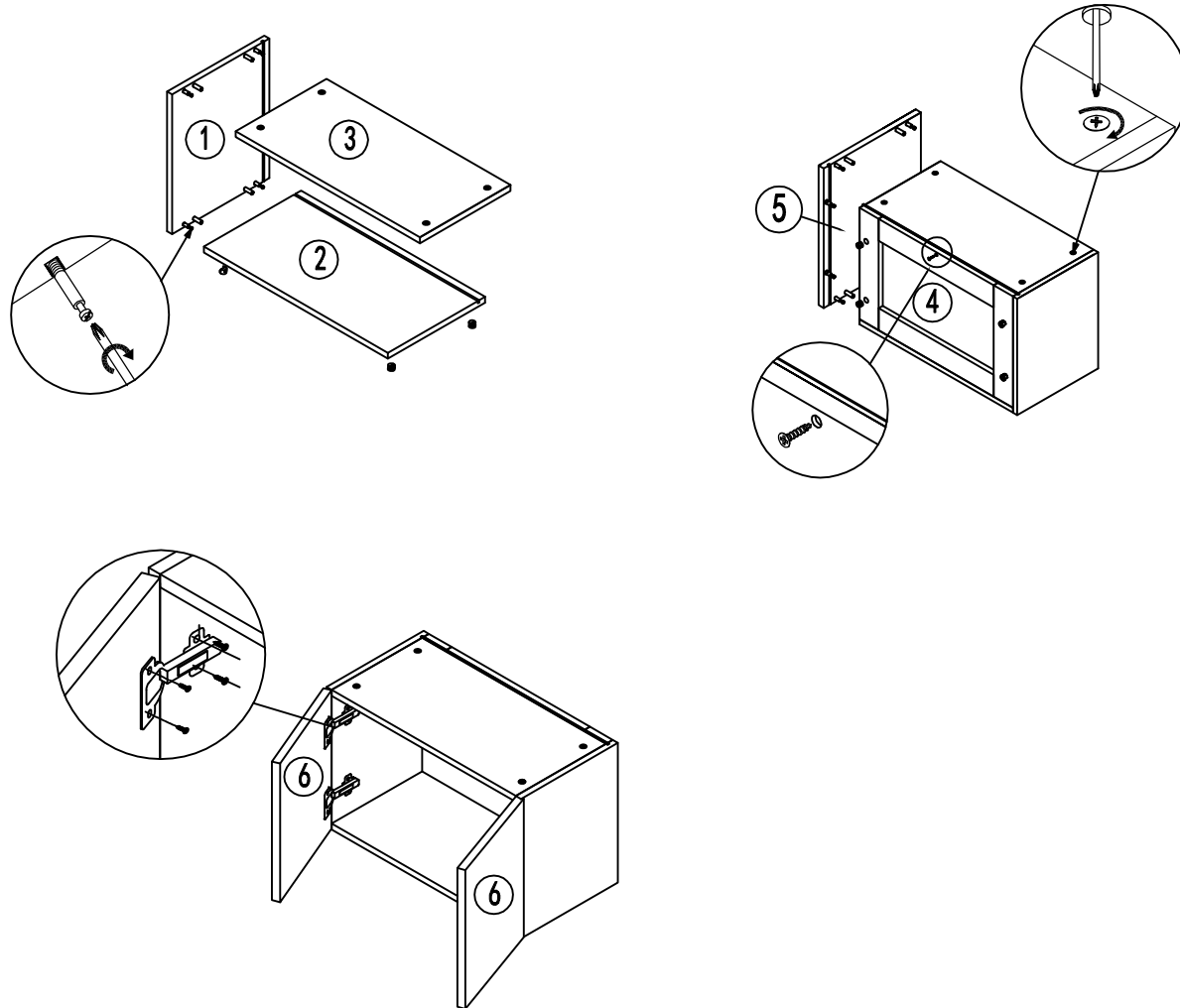
W361224

PICTURE	ITEM	SPEC	QTY.		
	Hinge	Damper hinges	4		
	Cam lock	Ø15*13	16		
	Cam lock screw	Ø8*35	16		
	Dowel	Ø8*35	8		
	Tapping screw	3.5*35	1		
<b>BOX</b>					
Part	L	W	T	QTY.	
1	Left panel	24"	12"	3/4"	1
2	Bottom panel	34 1/2"	24"	3/4"	1
3	Top panel	34 1/2"	22 7/8"	3/4"	1
4	Back panel	34 7/8"	11 3/8"	7/8"	1
5	Right panel	24"	12"	3/4"	1
total 5					
<b>DOOR</b>					
6	Door	17 7/8"	11 7/8"	3/4"	2

V 2.0

# ASSEMBLY INSTRUCTION

## W3015

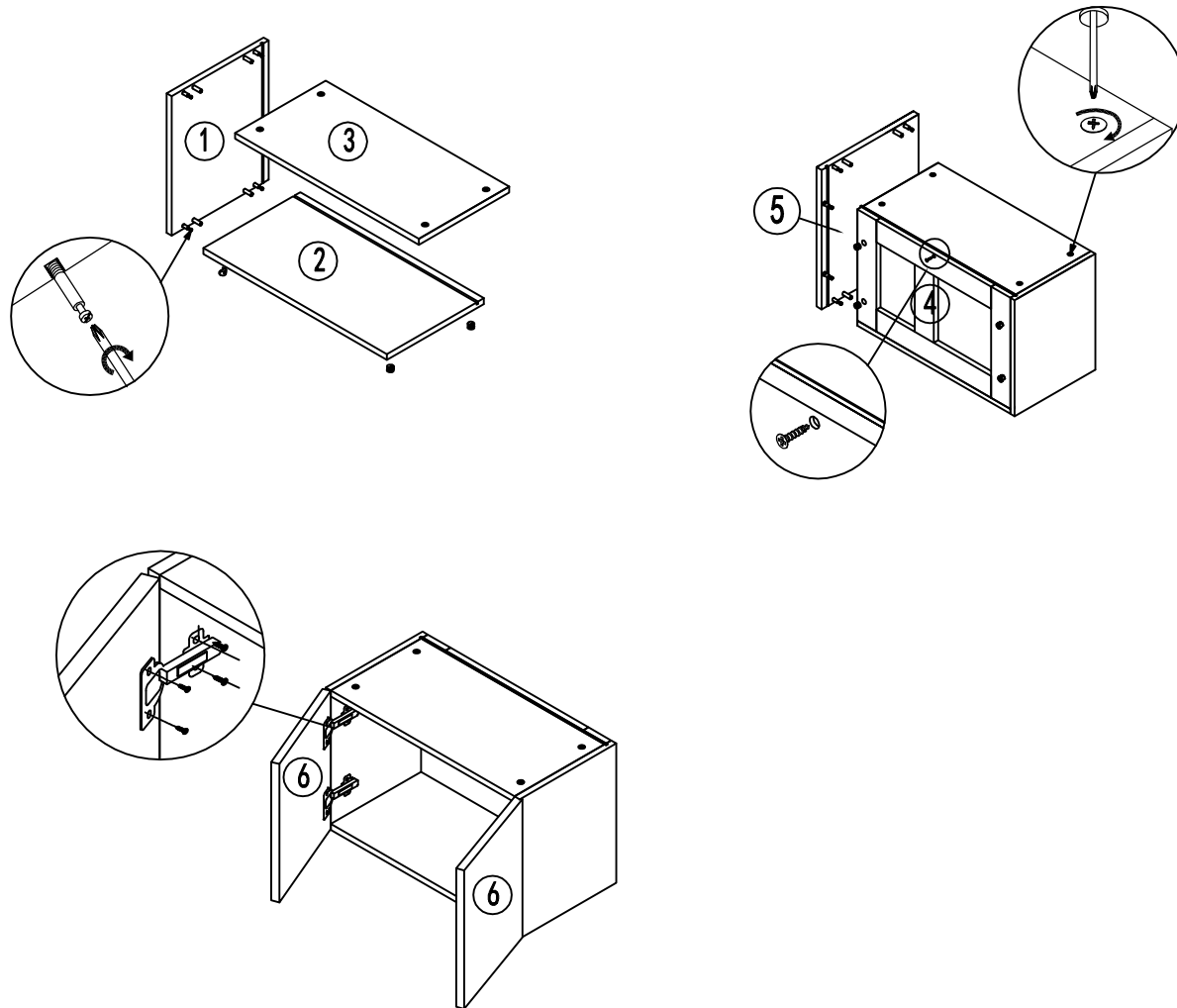


W3015					
PICTURE	ITEM	SPEC	QTY.		
	Hinge	Damper hinges	4		
	Cam lock	Ø15*13	12		
	Cam lock screw	Ø8*35	12		
	Dowel	Ø8*35	8		
	Tapping screw	3.5*35	1		
BOX					
Part	L	W	T	QTY.	
1	Left panel	15"	12"	3/4"	1
2	Bottom panel	28 1/2"	12"	3/4"	1
3	Top panel	28 1/2"	11 1/8"	3/4"	1
4	Back panel	28 7/8"	14 3/8"	7/8"	1
5	Right panel	15"	12"	3/4"	1
				total 5	
DOOR					
6	door	14 7/8"	14 7/8"	3/4"	2

V 2.0

# ASSEMBLY INSTRUCTION

## W3315

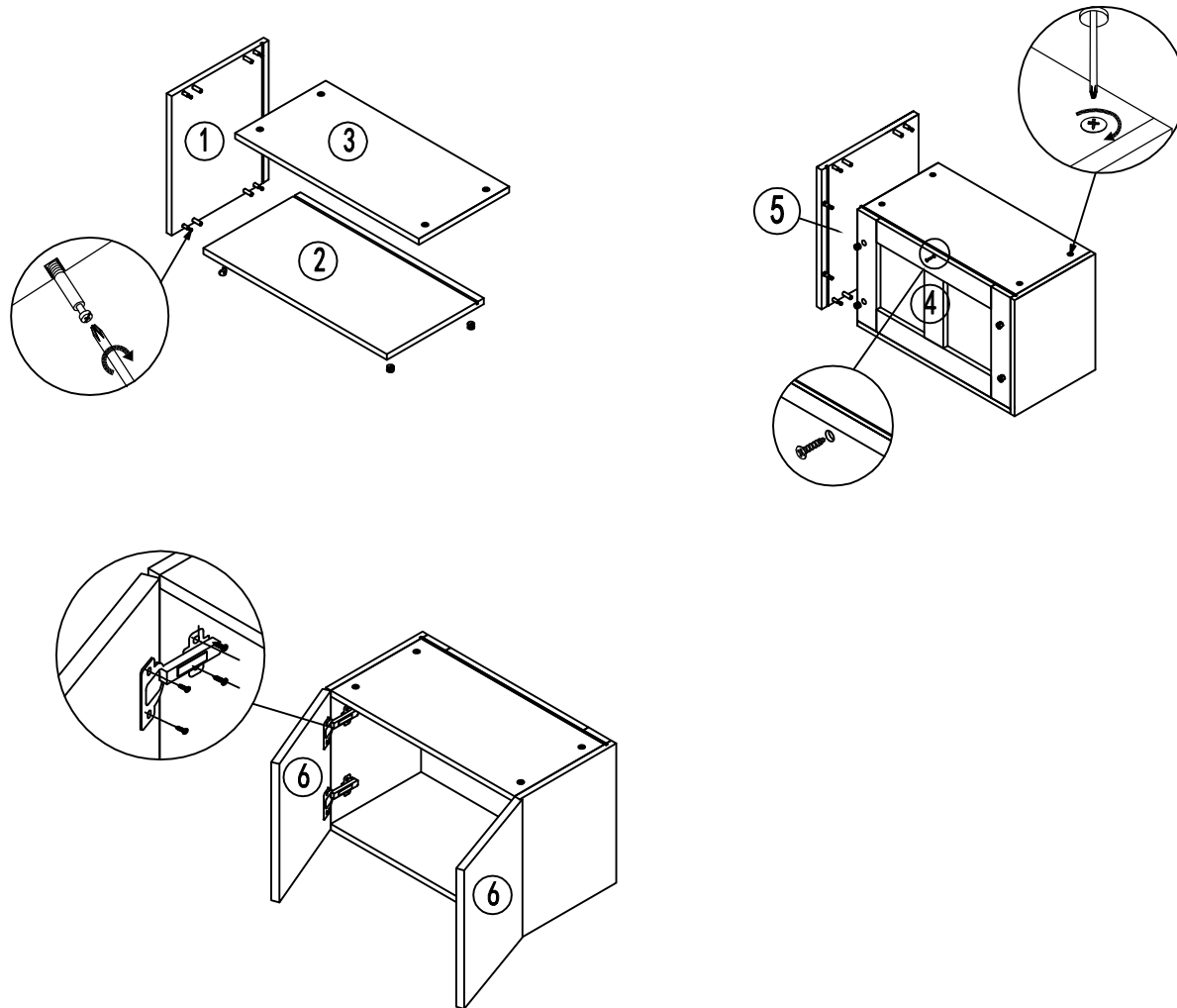


W3315					
PICTURE	ITEM	SPEC	QTY.		
	Hinge	Damper hinges	4		
	Cam lock	Ø15*13	12		
	Cam lock screw	Ø8*35	12		
	Dowel	Ø8*35	8		
	Tapping screw	3.5*35	1		
BOX					
Part	L	W	T	QTY.	
1	Left panel	15"	12"	3/4"	1
2	Bottom panel	31 1/2"	12"	3/4"	1
3	Top panel	31 1/2"	11 1/8"	3/4"	1
4	Back panel	31 7/8"	14 3/8"	7/8"	1
5	Right panel	15"	12"	3/4"	1
				total 5	
DOOR					
6	door	14 7/8"	16 3/8"	3/4"	2

V 2.0

# ASSEMBLY INSTRUCTION

## W3615



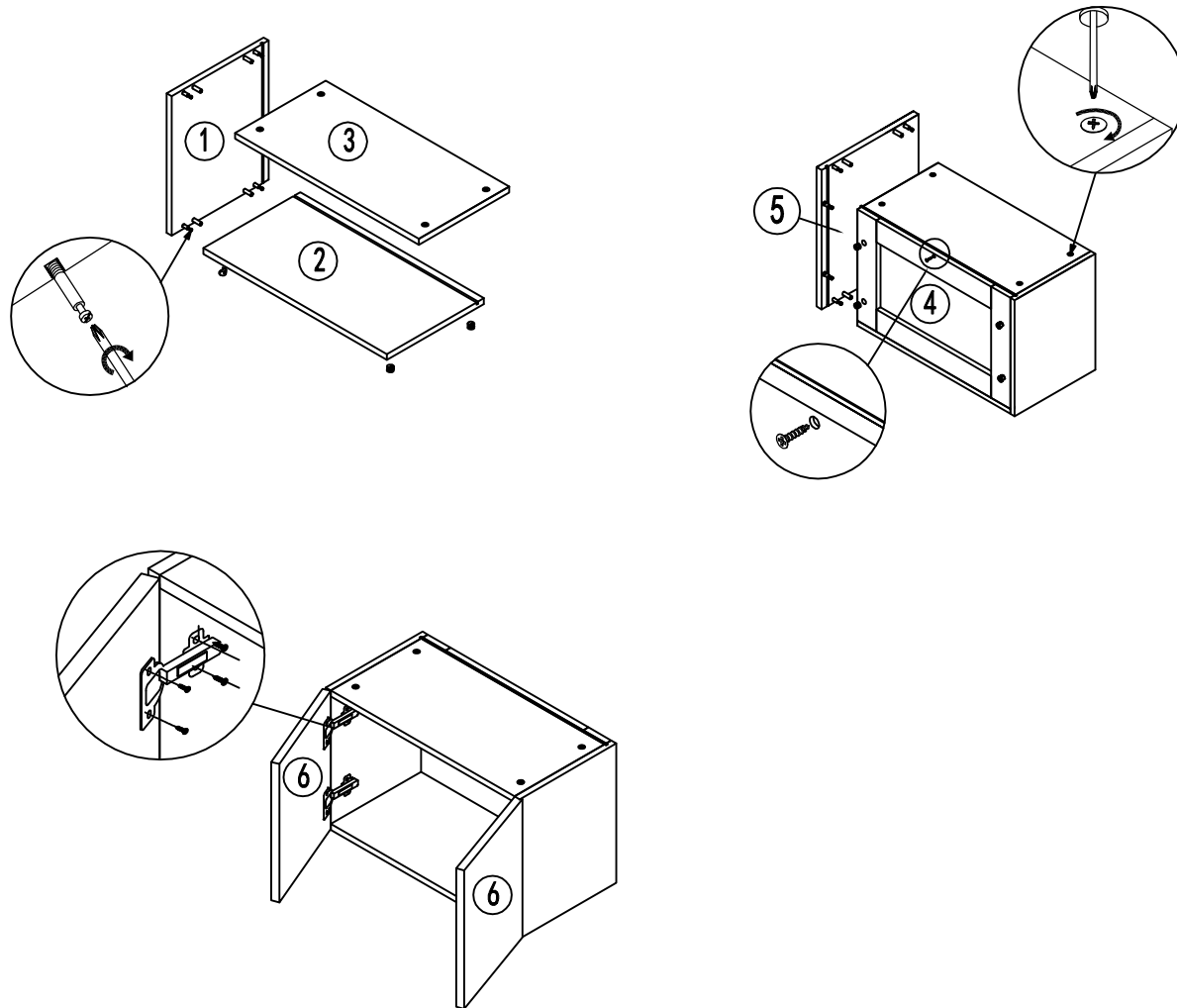
W3615					
PICTURE	ITEM	SPEC	QTY.		
	Hinge	Damper hinges	4		
	Cam lock	Ø15*13	12		
	Cam lock screw	Ø8*35	12		
	Dowel	Ø8*35	8		
	Tapping screw	3.5*35	1		
BOX					
Part	L	W	T	QTY.	
1	Left panel	15"	12"	3/4"	1
2	Bottom panel	34 1/2"	12"	3/4"	1
3	Top panel	34 1/2"	11 1/8"	3/4"	1
4	Back panel	34 7/8"	14 3/8"	7/8"	1
5	Right panel	15"	12"	3/4"	1
total				5	
DOOR					
6	Door	17 7/8"	14 7/8"	3/4"	2

V 2.0



# ASSEMBLY INSTRUCTION

## W2415DD

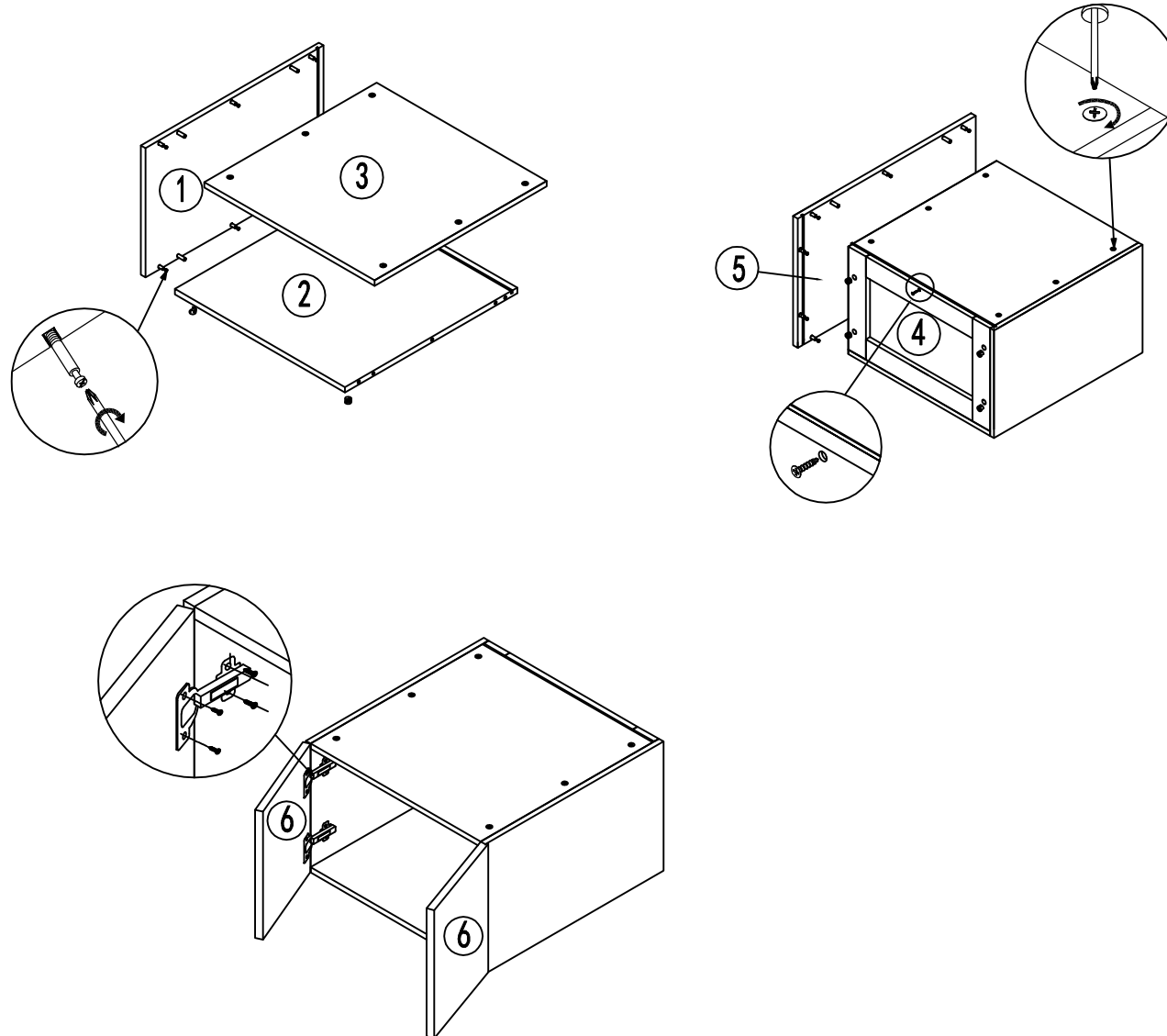


W2415DD					
PICTURE	ITEM	SPEC	QTY.		
	Hinge	Damper hinges	4		
	Cam lock	Ø15*13	12		
	Cam lock screw	Ø8*35	12		
	Dowel	Ø8*35	8		
	Tapping screw	3.5*35	1		
BOX					
Part	L	W	T	QTY.	
1	Left panel	15"	12"	3/4"	1
2	Bottom panel	22 1/2"	12"	3/4"	1
3	Top panel	22 1/2"	11 1/8"	3/4"	1
4	Back panel	22 7/8"	14 3/8"	7/8"	1
5	Right panel	15"	12"	3/4"	1
				total 5	
DOOR					
6	door	11 7/8"	14 7/8"	3/4"	2

V 2.0

# ASSEMBLY INSTRUCTION

## W301524



W301524

PICTURE	ITEM	SPEC	QTY.
	Hinge	Damper hinges	4
	Cam lock	Ø15*13	16
	Cam lock screw	Ø8*35	16
	Dowel	Ø8*35	8
	Tapping screw	3.5*35	1

BOX

Part	L	W	T	QTY.
1 Left panel	24"	15"	3/4"	1
2 Bottom panel	28 1/2"	24"	3/4"	1
3 Top panel	28 1/2"	22 7/8"	3/4"	1
4 Back panel	28 7/8"	14 3/8"	7/8"	1
5 Right panel	24"	15"	3/4"	1
total 5				

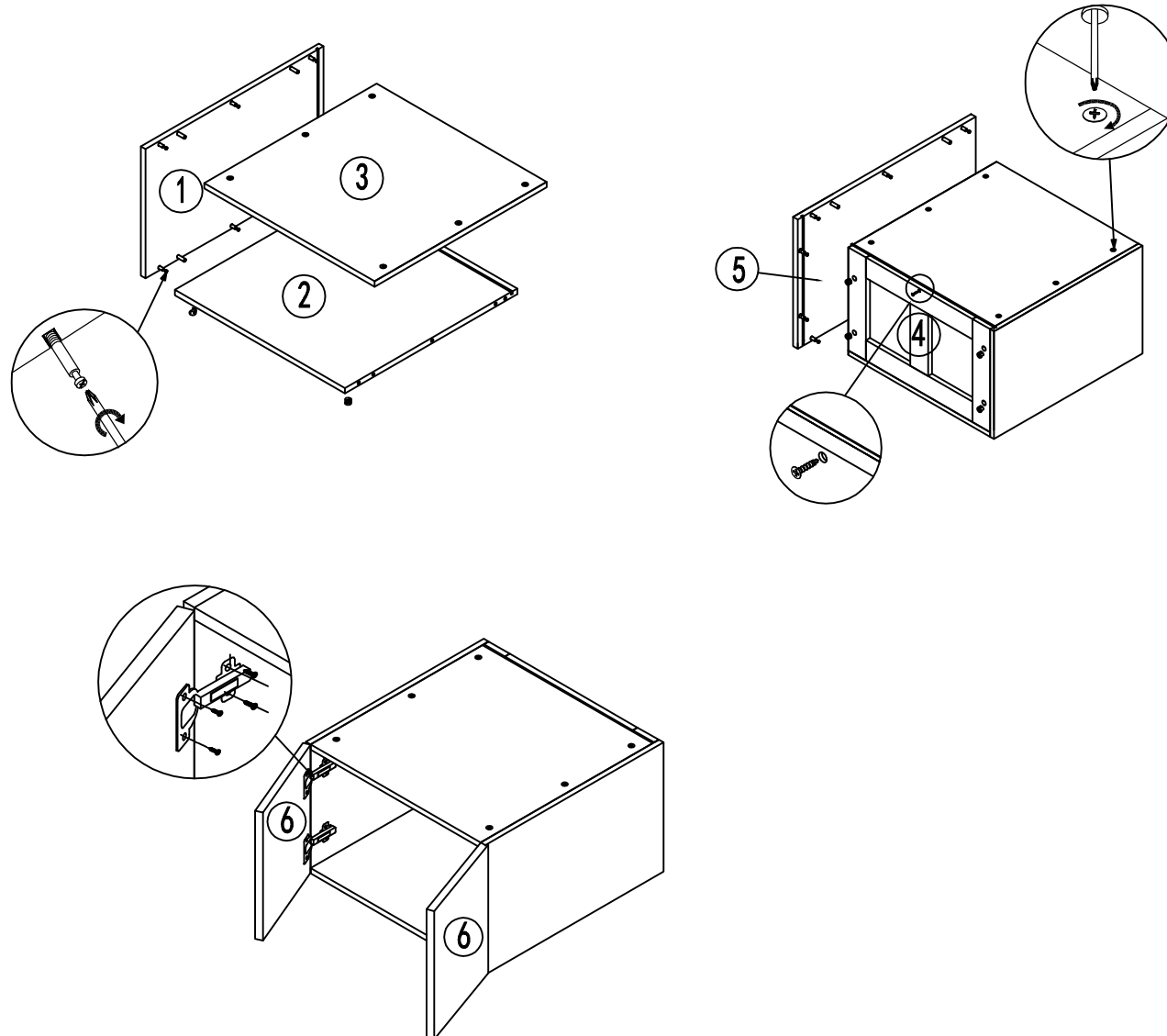
DOOR

6 door	14 7/8"	14 7/8"	3/4"	2
--------	---------	---------	------	---

V 2.0

# ASSEMBLY INSTRUCTION

## W331524



W331524

PICTURE	ITEM	SPEC	QTY.
	Hinge	Damper hinges	4
	Cam lock	Ø15*13	16
	Cam lock screw	Ø8*35	16
	Dowel	Ø8*35	8
	Tapping screw	3.5*35	1

BOX

Part	L	W	T	QTY.
1 Left panel	24"	15"	3/4"	1
2 Bottom panel	31 1/2"	24"	3/4"	1
3 Top panel	31 1/2"	22 7/8"	3/4"	1
4 Back panel	31 7/8"	14 3/8"	7/8"	1
5 Right panel	24"	15"	3/4"	1
total 5				

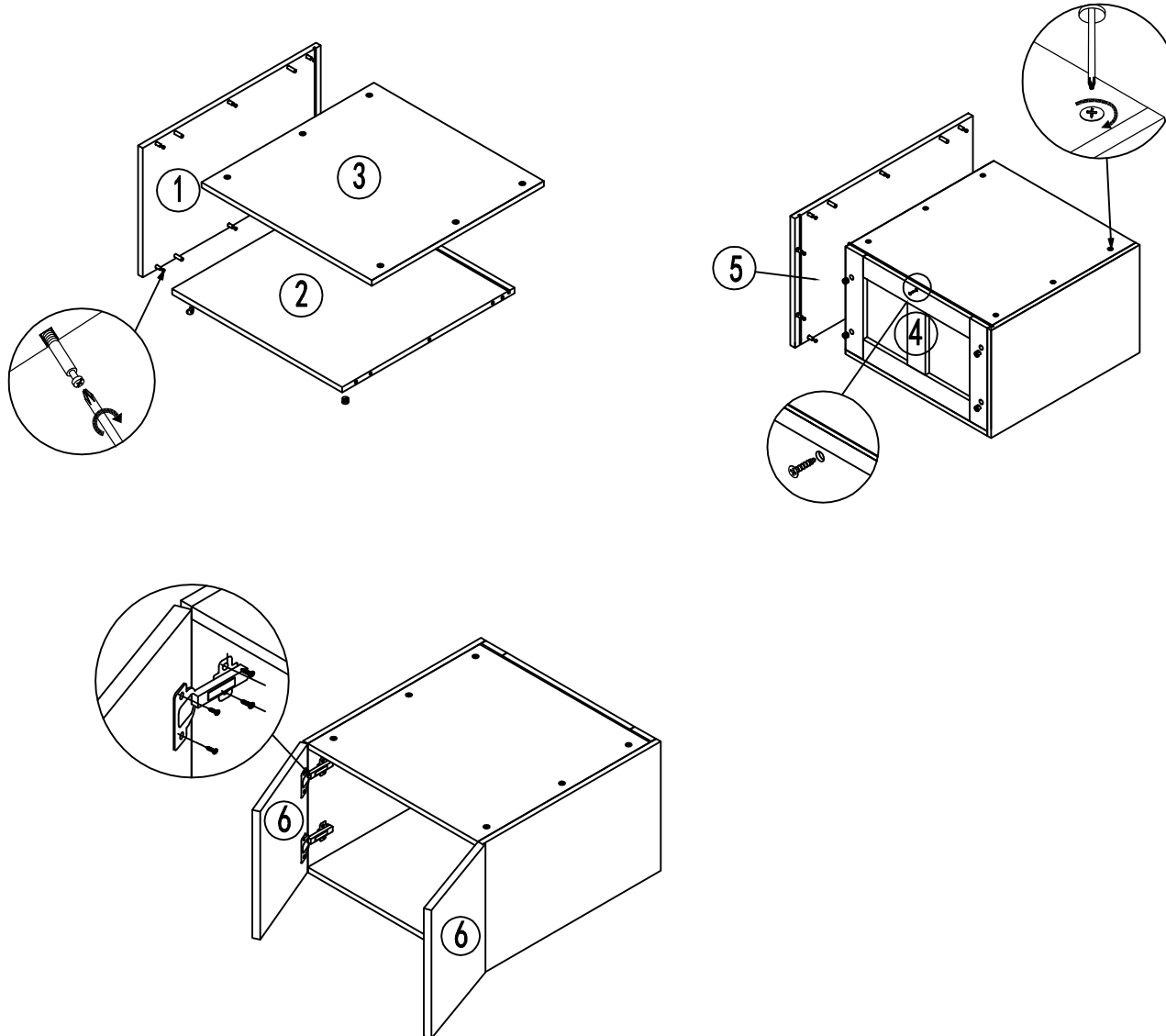
DOOR

6 door	16 3/8"	14 7/8"	3/4"	2
--------	---------	---------	------	---

V 2.0

# ASSEMBLY INSTRUCTION

## W361524



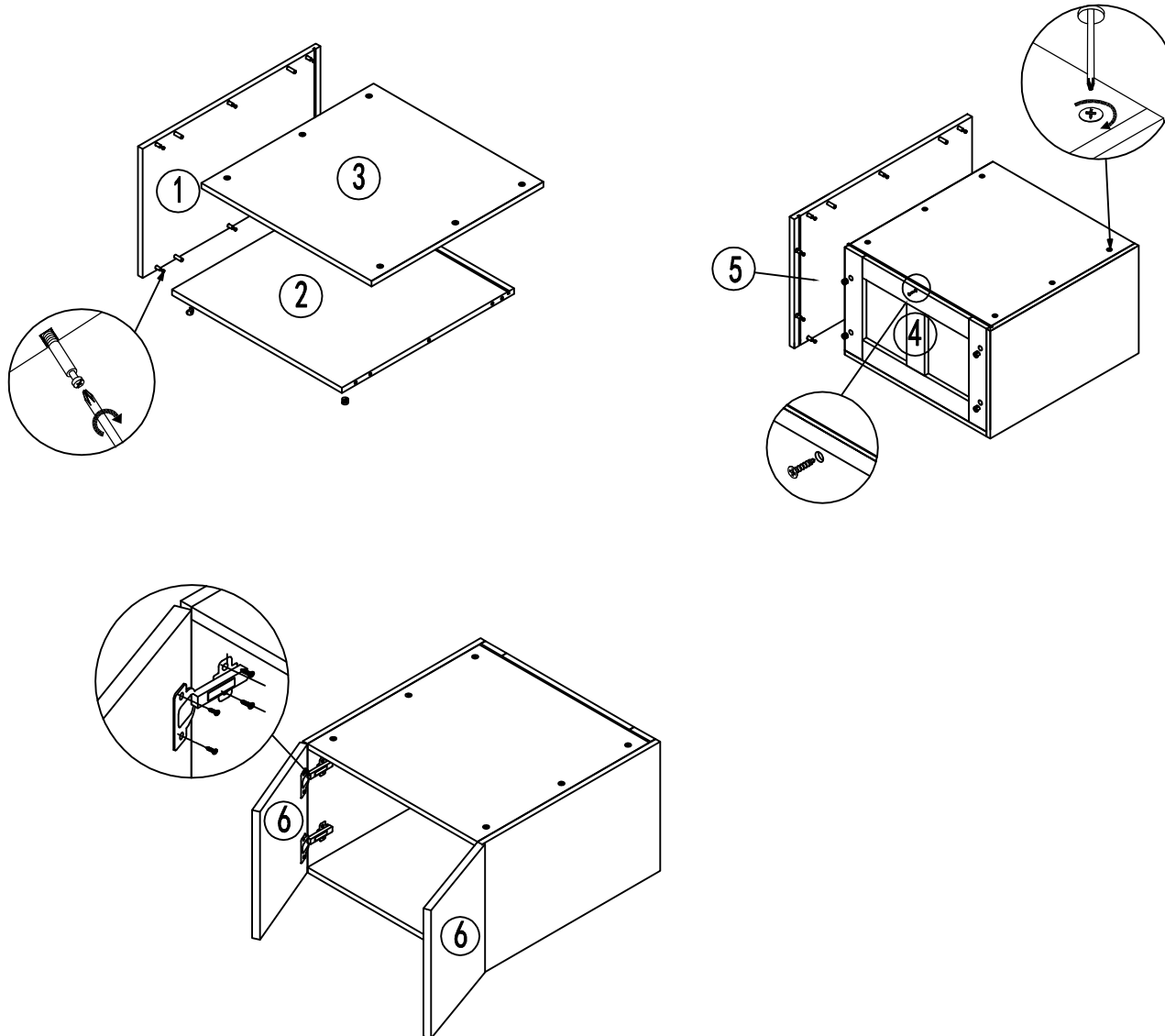
W361524

PICTURE	ITEM	SPEC	QTY.		
	Hinge	Damper hinges	4		
	Cam lock	Ø15*13	16		
	Cam lock screw	Ø8*35	16		
	Dowel	Ø8*35	8		
	Tapping screw	3.5*35	1		
<b>BOX</b>					
Part	L	W	T	QTY.	
1	Left panel	24"	15"	3/4"	1
2	Bottom panel	34 1/2"	24"	3/4"	1
3	Top panel	34 1/2"	22 7/8"	3/4"	1
4	Back panel	34 7/8"	14 3/8"	7/8"	1
5	Right panel	24"	15"	3/4"	1
total				5	
<b>DOOR</b>					
6	door	17 7/8"	14 7/8"	3/4"	2

V 2.0

# ASSEMBLY INSTRUCTION

## W361527



W361527

PICTURE	ITEM	SPEC	QTY.
	Hinge	Damper hinges	4
	Cam lock	Ø15*13	16
	Cam lock screw	Ø8*35	16
	Dowel	Ø8*35	8
	Tapping screw	3.5*35	1

### BOX

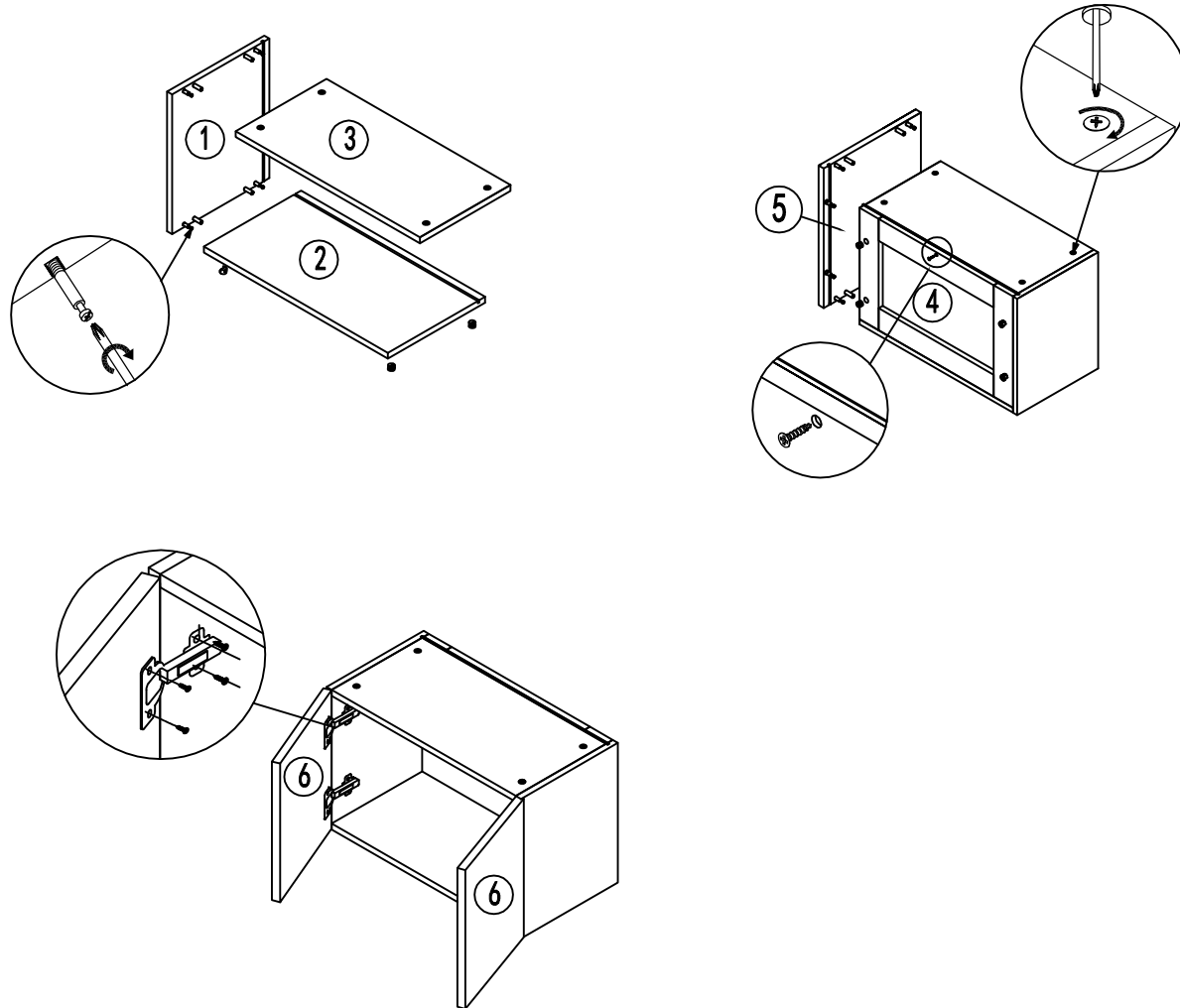
Part	L	W	T	QTY.
1 Left panel	27"	15"	3/4"	1
2 Bottom panel	34 1/2"	27"	3/4"	1
3 Top panel	34 1/2"	25 7/8"	3/4"	1
4 Back panel	34 7/8"	14 3/8"	7/8"	1
5 Right panel	27"	15"	3/4"	1
total 5				

### DOOR

6 door	17 7/8"	14 7/8"	3/4"	2
--------	---------	---------	------	---

# ASSEMBLY INSTRUCTION

## W3018

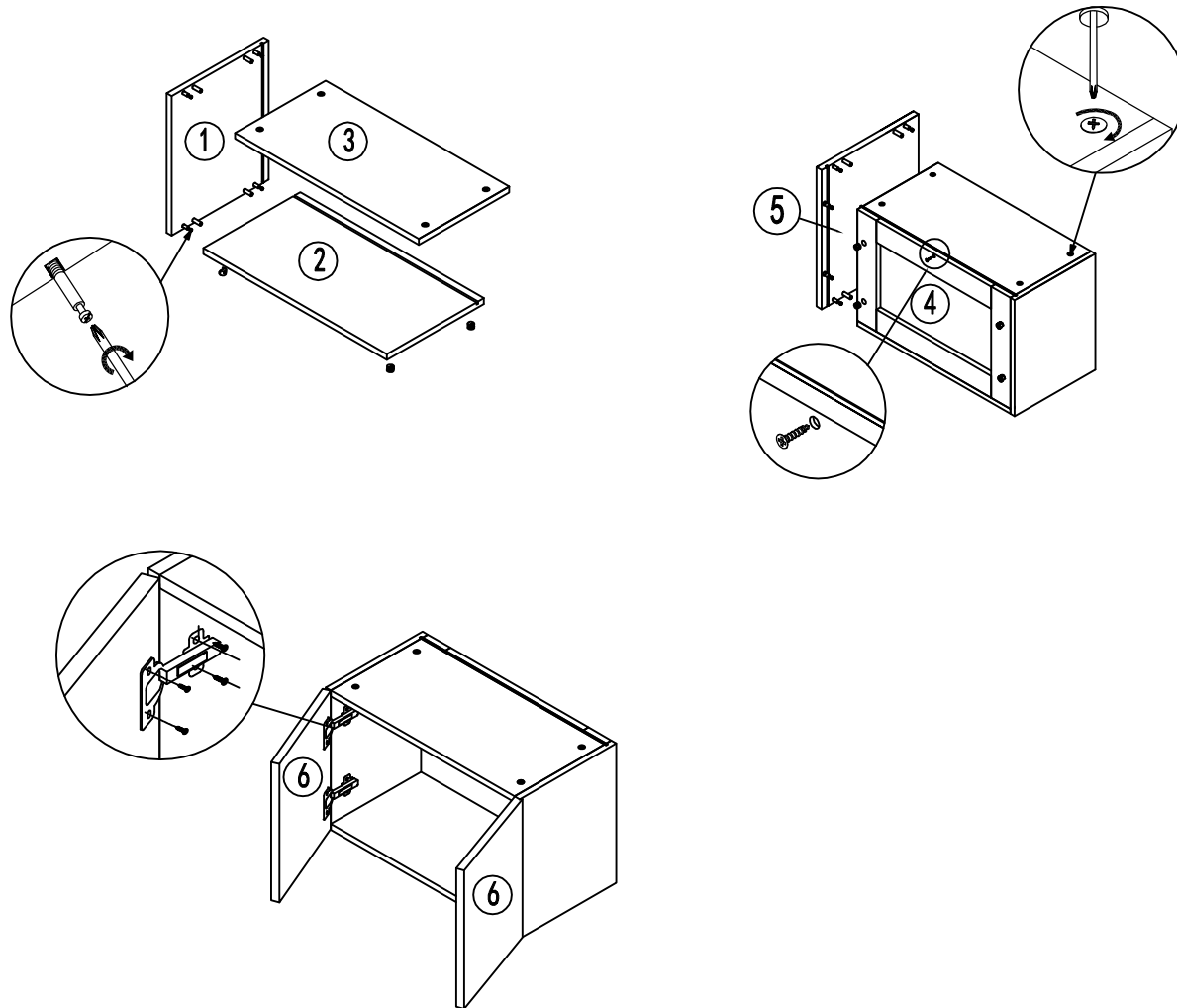


W3018					
PICTURE	ITEM	SPEC	QTY.		
	Hinge	Damper hinges	4		
	Cam lock	Ø15*13	12		
	Cam lock screw	Ø8*35	12		
	Dowel	Ø8*35	8		
	Tapping screw	3.5*35	1		
BOX					
Part	L	W	T	QTY.	
1	Left panel	18"	12"	3/4"	1
2	Bottom panel	28 1/2"	12"	3/4"	1
3	Top panel	28 1/2"	11 1/8"	3/4"	1
4	Back panel	28 7/8"	17 3/8"	7/8"	1
5	Right panel	18"	12"	3/4"	1
total				5	
DOOR					
6	door	14 7/8"	17 7/8"	3/4"	2

V 2.0

# ASSEMBLY INSTRUCTION

## W3318

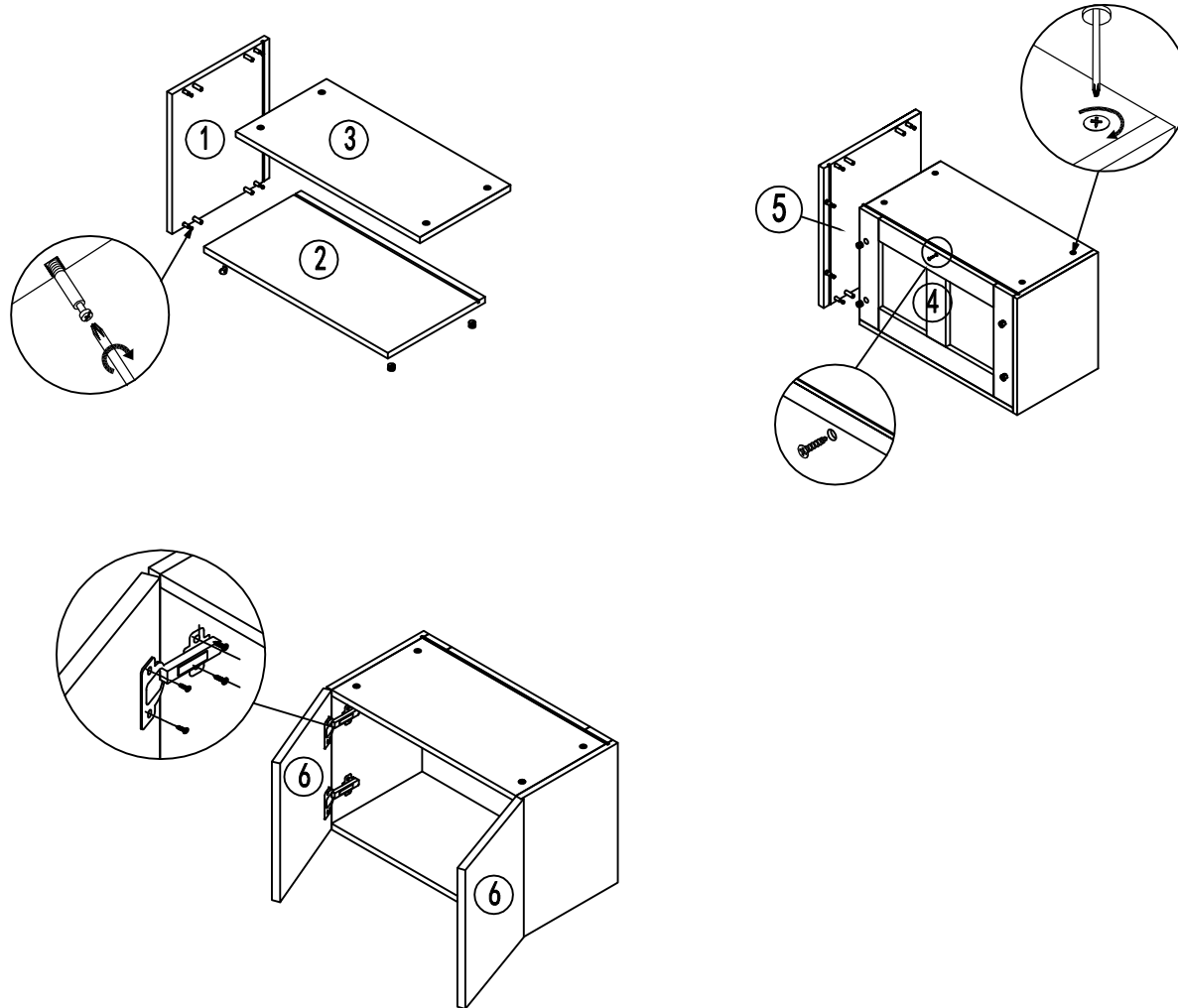


W3318					
PICTURE	ITEM	SPEC	QTY.		
	Hinge	Damper hinges	4		
	Cam lock	Ø15*13	12		
	Cam lock screw	Ø8*35	12		
	Dowel	Ø8*35	8		
	Tapping screw	3.5*35	1		
BOX					
Part	L	W	T	QTY.	
1	Left panel	18"	12"	3/4"	1
2	Bottom panel	31 1/2"	12"	3/4"	1
3	Top panel	31 1/2"	11 1/8"	3/4"	1
4	Back panel	17 3/8"	31 7/8"	7/8"	1
5	Right panel	18"	12"	3/4"	1
total				5	
DOOR					
6	door	17 7/8"	16 3/8"	3/4"	2

V 2.0

# ASSEMBLY INSTRUCTION

## W3618



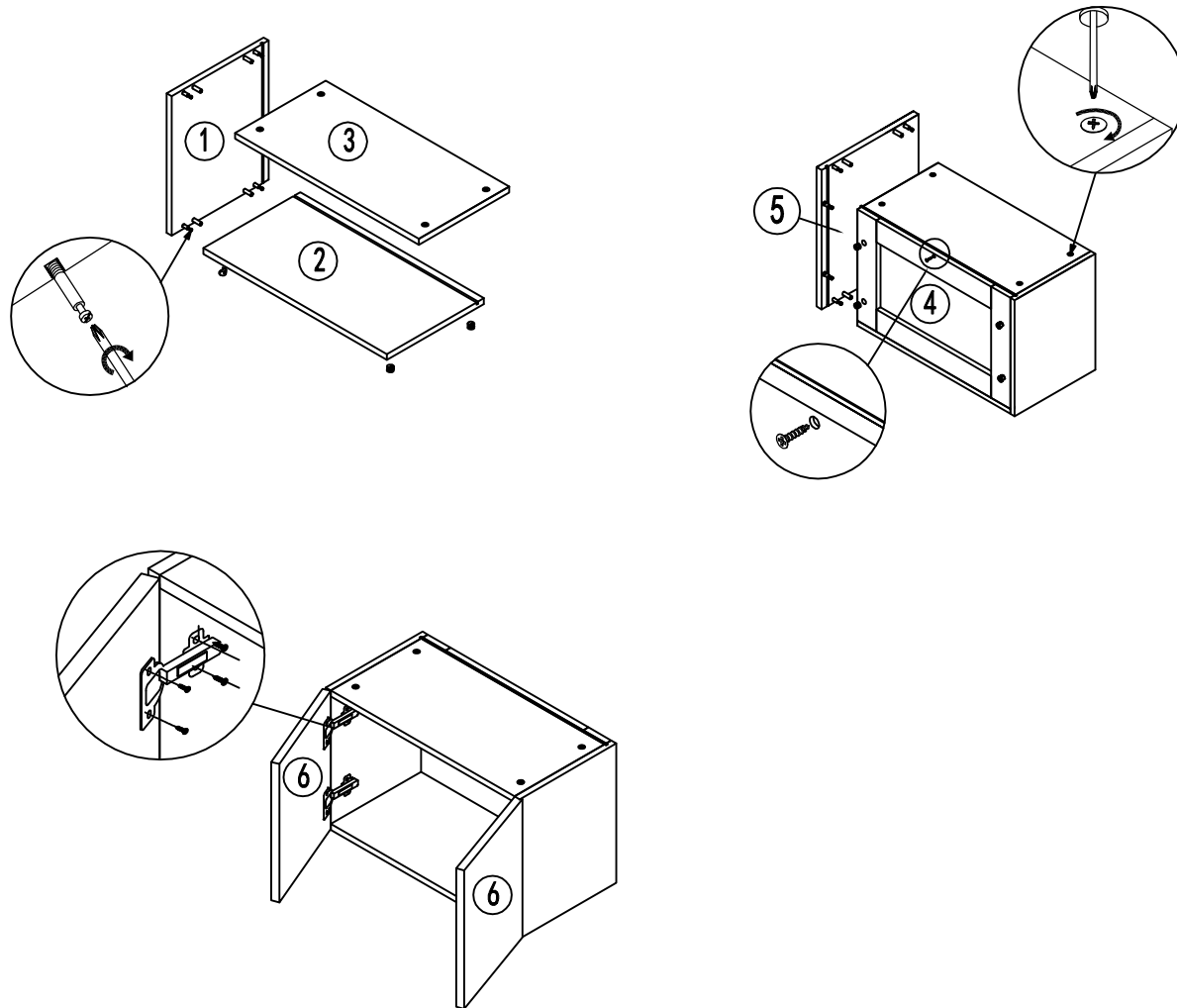
W3618					
PICTURE	ITEM	SPEC	QTY.		
	Hinge	Damper hinges	4		
	Cam lock	Ø15*13	12		
	Cam lock screw	Ø8*35	12		
	Dowel	Ø8*35	8		
	Tapping screw	3.5*35	1		
BOX					
Part	L	W	T	QTY.	
1	Left panel	18"	12"	3/4"	1
2	Bottom panel	34 1/2"	12"	3/4"	1
3	Top panel	34 1/2"	11 1/8"	3/4"	1
4	Back panel	34 7/8"	17 3/8"	7/8"	1
5	Right panel	18"	12"	3/4"	1
total				5	
DOOR					
6	door	17 7/8"	17 7/8"	3/4"	2

V 2.0



# ASSEMBLY INSTRUCTION

## W2418DD

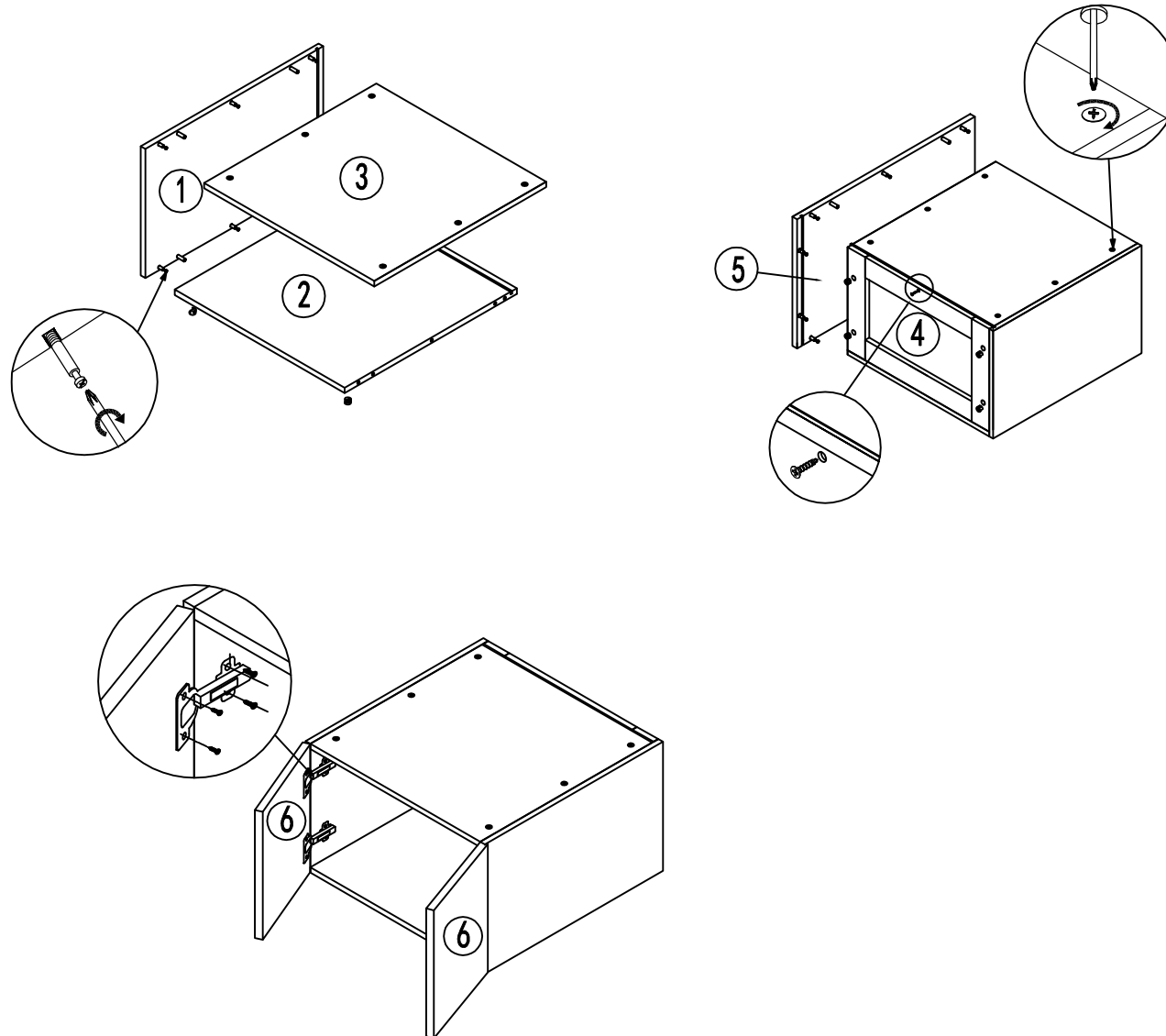


W2418DD					
PICTURE	ITEM	SPEC	QTY.		
	Hinge	Damper hinges	4		
	Cam lock	Ø15*13	16		
	Cam lock screw	Ø8*35	16		
	Dowel	Ø8*35	8		
	Tapping screw	3.5*35	1		
BOX					
Part	L	W	T	QTY.	
1	Left panel	18"	12"	3/4"	1
2	Bottom panel	22 1/2"	12"	3/4"	1
3	Top panel	22 1/2"	11 1/8"	3/4"	1
4	Back panel	22 7/8"	17 3/8"	7/8"	1
5	Right panel	18"	12"	3/4"	1
				total 5	
DOOR					
6	door	11 7/8"	17 7/8"	3/4"	2

V 2.0

# ASSEMBLY INSTRUCTION

## W301824



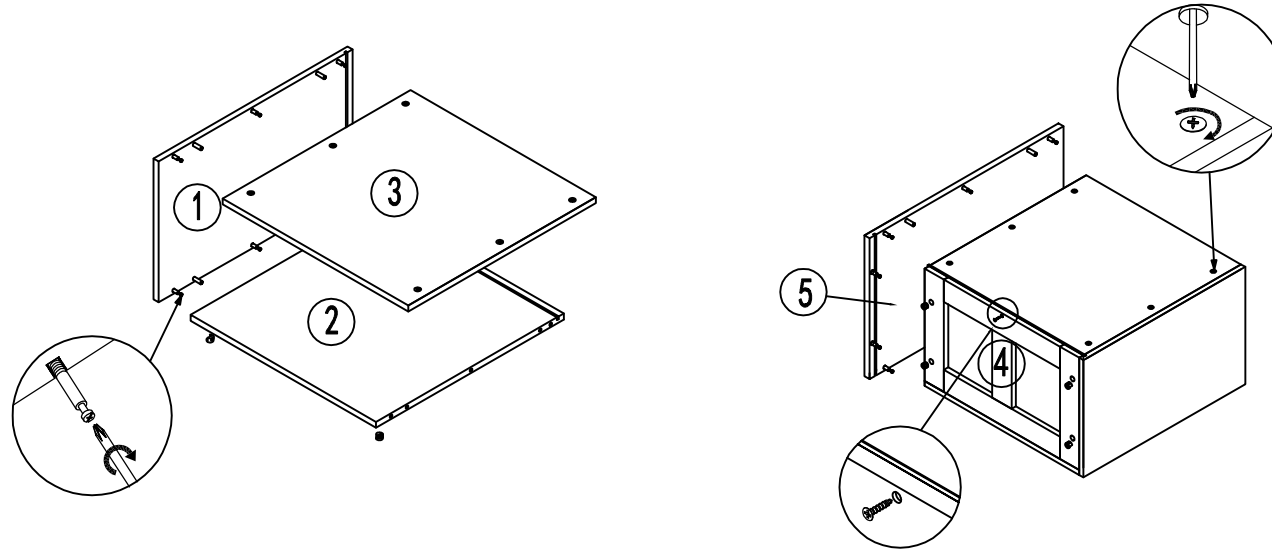
W301824

PICTURE	ITEM	SPEC	QTY.		
	Hinge	Damper hinges	4		
	Cam lock	Ø15*13	16		
	Cam lock screw	Ø8*35	16		
	Dowel	Ø8*35	8		
	Tapping screw	3.5*35	1		
<b>BOX</b>					
Part	L	W	T	QTY.	
1	Left panel	24"	18"	3/4"	1
2	Bottom panel	28 1/2"	24"	3/4"	1
3	Top panel	28 1/2"	22 7/8"	3/4"	1
4	Back panel	28 7/8"	17 3/8"	7/8"	1
5	Right panel	24"	18"	3/4"	1
total 5					
<b>DOOR</b>					
6	door	14 7/8"	17 7/8"	3/4"	2

V 2.0

# ASSEMBLY INSTRUCTION

## W331824



W331824

PICTURE	ITEM	SPEC	QTY.
	Hinge	Damper hinges	4
	Cam lock	Ø15*13	16
	Cam lock screw	Ø8*35	16
	Dowel	Ø8*35	8
	Tapping screw	3.5*35	1

### BOX

Part	L	W	T	QTY.
1 Left panel	24"	18"	3/4"	1
2 Bottom panel	31 1/2"	24"	3/4"	1
3 Top panel	31 1/2"	22 7/8"	3/4"	1
4 Back panel	31 7/8"	17 3/8"	7/8"	1
5 Right panel	24"	18"	3/4"	1
total 5				

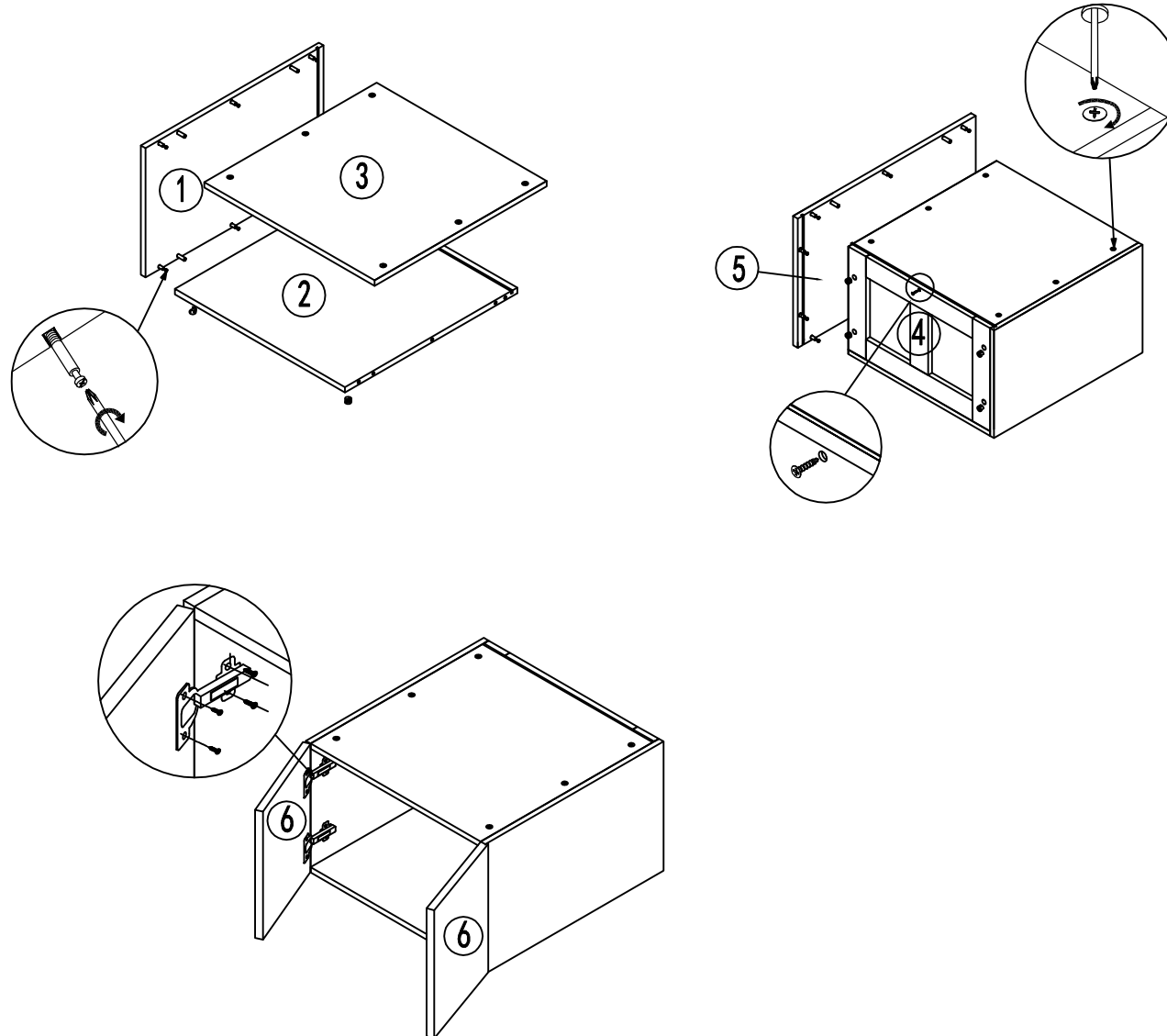
### DOOR

6 door	16 3/8"	17 7/8"	3/4"	2
--------	---------	---------	------	---

V 2.0

# ASSEMBLY INSTRUCTION

## W361824



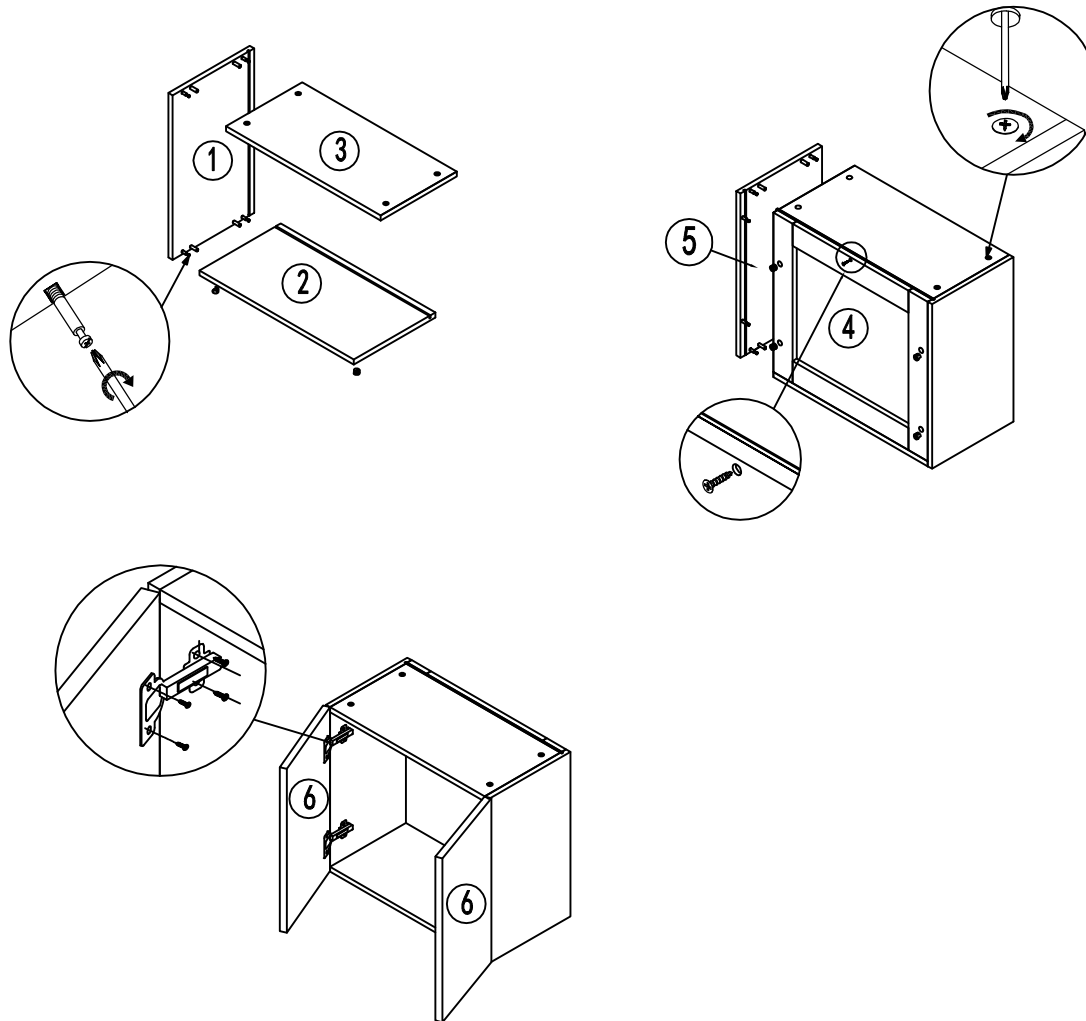
W361824

PICTURE	ITEM	SPEC	QTY.		
	Hinge	Damper hinges	4		
	Cam lock	Ø15*13	16		
	Cam lock screw	Ø8*35	16		
	Dowel	Ø8*35	8		
	Tapping screw	3.5*35	1		
<b>BOX</b>					
Part	L	W	T	QTY.	
1	Left panel	24"	18"	3/4"	1
2	Bottom panel	34 1/2"	24"	3/4"	1
3	Top panel	34 1/2"	22 7/8"	3/4"	1
4	Back panel	34 7/8"	17 3/8"	7/8"	1
5	Right panel	24"	18"	3/4"	1
total				5	
<b>DOOR</b>					
6	door	17 7/8"	17 7/8"	3/4"	2

V 2.0

# ASSEMBLY INSTRUCTION

## W3021

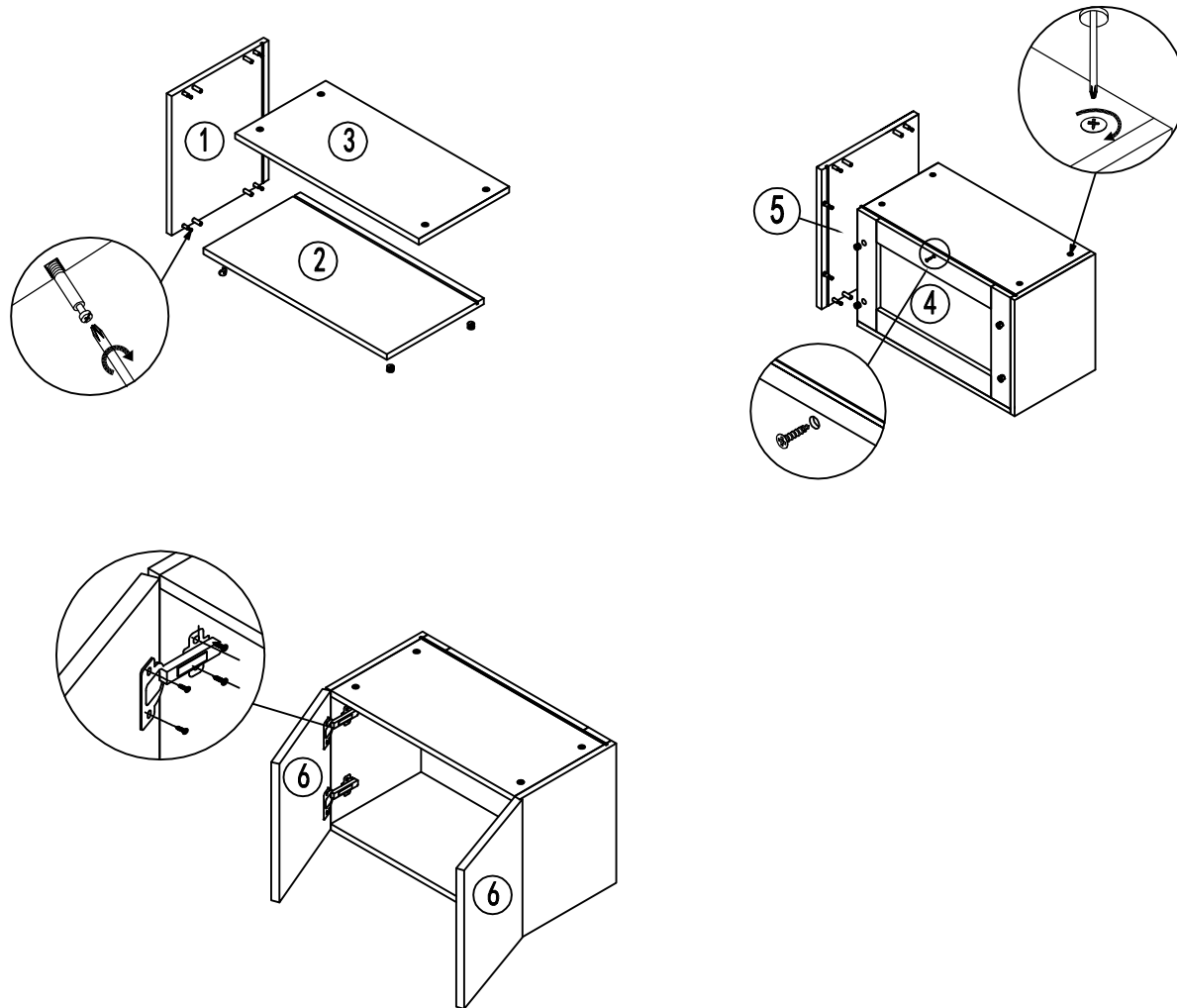


W3021					
PICTURE	ITEM	SPEC	QTY.		
	Hinge	Damper hinges	4		
	Cam lock	Ø15*13	12		
	Cam lock screw	Ø8*35	12		
	Dowel	Ø8*35	8		
	Tapping screw	3.5*35	1		
BOX					
Part	L	W	T	QTY.	
1	Left panel	21"	12"	3/4"	1
2	Bottom panel	28 1/2"	12"	3/4"	1
3	Top panel	28 1/2"	11 1/8"	3/4"	1
4	Back panel	28 7/8"	20 3/8"	7/8"	1
5	Right panel	21"	12"	3/4"	1
total				5	
DOOR					
6	Door	14 7/8"	20 7/8"	3/4"	2

V 2.0

# ASSEMBLY INSTRUCTION

## W3321

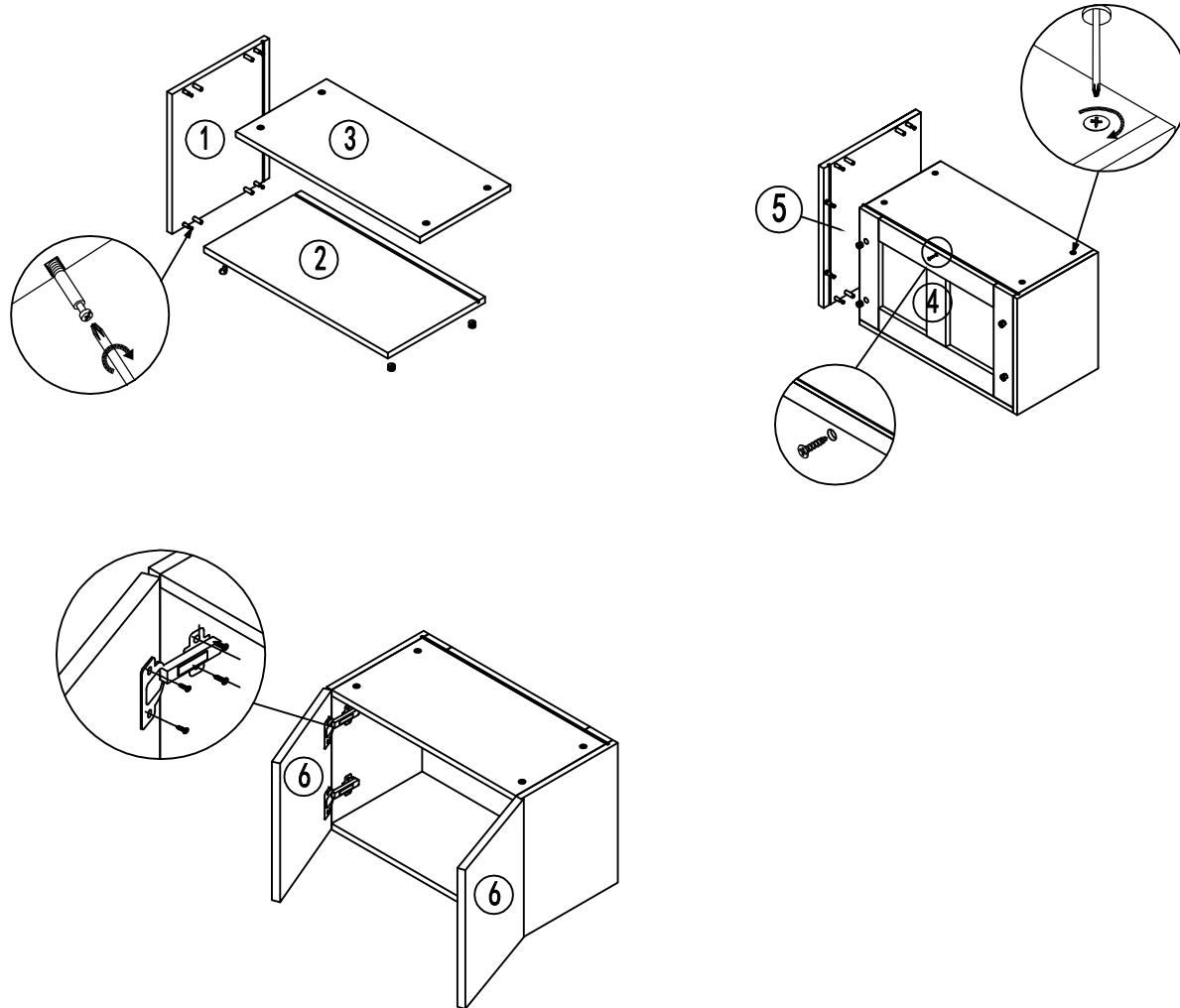


W3321					
PICTURE	ITEM	SPEC	QTY.		
	Hinge	Damper hinges	4		
	Cam lock	Ø15*13	12		
	Cam lock screw	Ø8*35	12		
	Dowel	Ø8*35	8		
	Tapping screw	3.5*35	1		
BOX					
Part	L	W	T	QTY.	
1	Left panel	21"	12"	3/4"	1
2	Bottom panel	31 1/2"	12"	3/4"	1
3	Top panel	31 1/2"	11 1/8"	3/4"	1
4	Back panel	20 3/8"	31 7/8"	7/8"	1
5	Right panel	21"	12"	3/4"	1
				total 5	
DOOR					
6	door	20 7/8"	16 3/8"	3/4"	2

V 2.0

# ASSEMBLY INSTRUCTION

## W3621

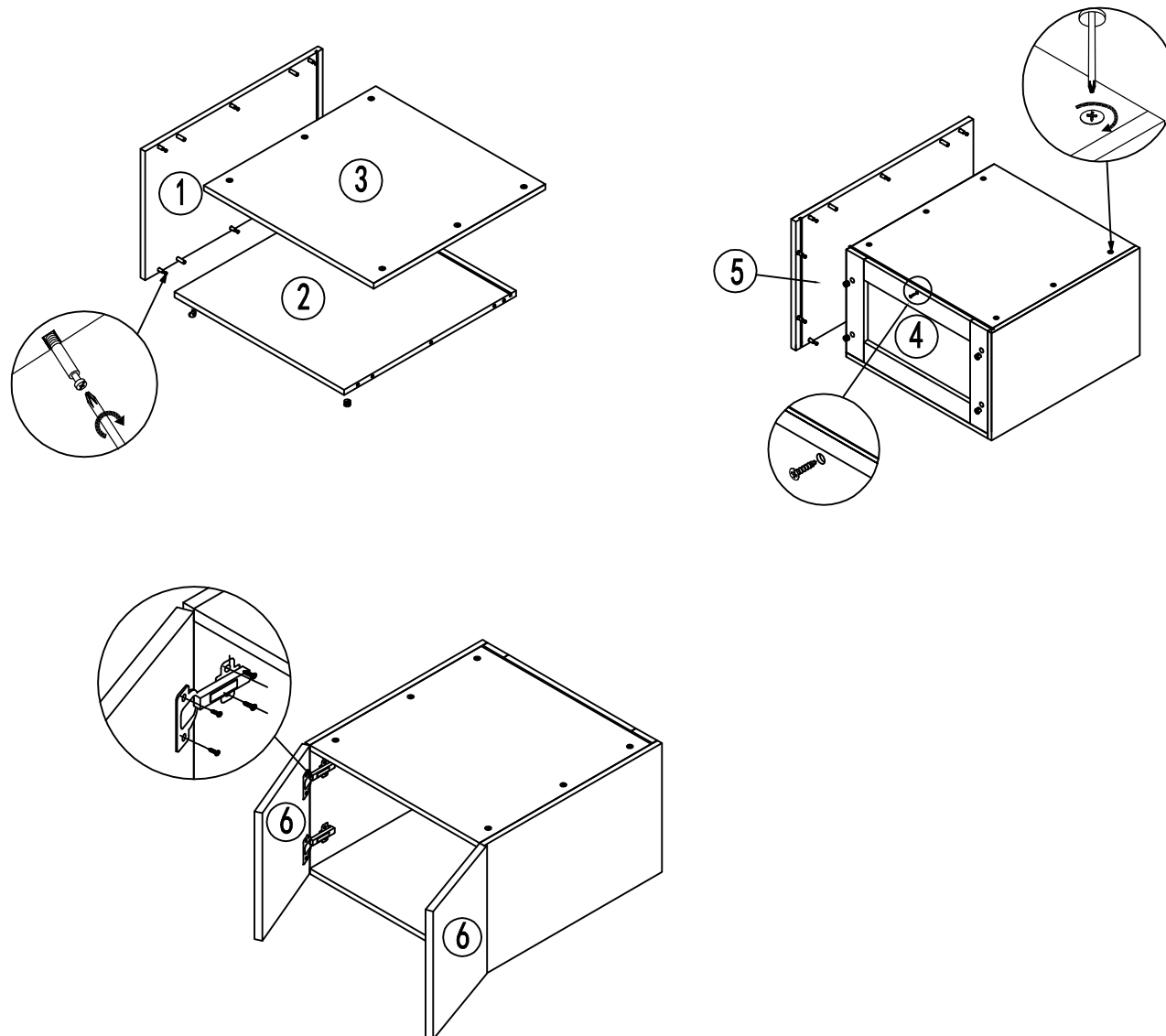


W3621					
PICTURE	ITEM	SPEC	QTY.		
	Hinge	Damper hinges	4		
	Cam lock	Ø15*13	12		
	Cam lock screw	Ø8*35	12		
	Dowel	Ø8*35	8		
	Tapping screw	3.5*35	1		
BOX					
Part	L	W	T	QTY.	
1	Left panel	21"	12"	3/4"	1
2	Bottom panel	34 1/2"	12"	3/4"	1
3	Top panel	34 1/2"	11 1/8"	3/4"	1
4	Back panel	34 7/8"	20 3/8"	7/8"	1
5	Right panel	21"	12"	3/4"	1
total				5	
DOOR					
6	Door	17 7/8"	20 7/8"	3/4"	2

V 2.0

# ASSEMBLY INSTRUCTION

## W302124



W302124

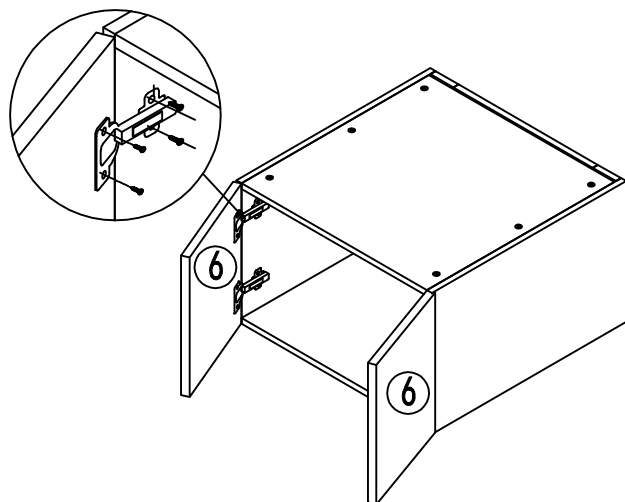
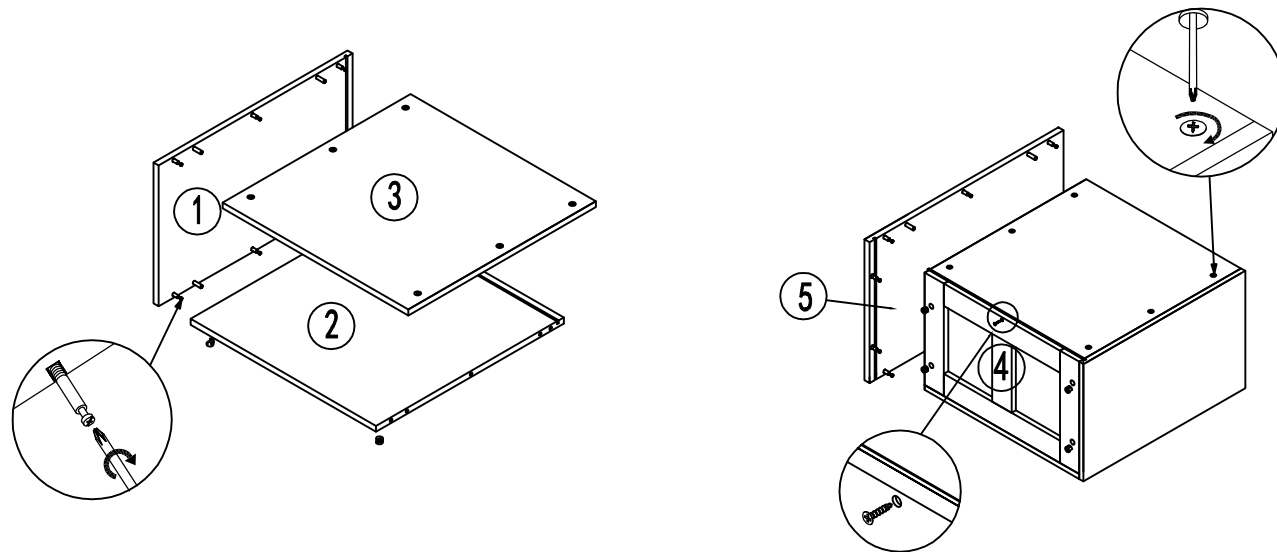
PICTURE	ITEM	SPEC	QTY.		
	Hinge	Damper hinges	4		
	Cam lock	Ø15*13	16		
	Cam lock screw	Ø8*35	16		
	Dowel	Ø8*35	8		
	Tapping screw	3.5*35	1		
<b>BOX</b>					
Part	L	W	T	QTY.	
1	Left panel	24"	21"	3/4"	1
2	Bottom panel	28 1/2"	24"	3/4"	1
3	Top panel	28 1/2"	22 7/8"	3/4"	1
4	Back panel	28 7/8"	20 3/8"	7/8"	1
5	Right panel	24"	21"	3/4"	1
total 5					
<b>DOOR</b>					
6	Door	14 7/8"	20 7/8"	3/4"	2

V 2.0



# ASSEMBLY INSTRUCTION

## W332124



W332124

PICTURE	ITEM	SPEC	QTY.
	Hinge	Damper hinges	4
	Cam lock	Ø15*13	16
	Cam lock screw	Ø8*35	16
	Dowel	Ø8*35	8
	Tapping screw	3.5*35	1

### BOX

Part	L	W	T	QTY.
1 Left panel	24"	21"	3/4"	1
2 Bottom panel	31 1/2"	24"	3/4"	1
3 Top panel	31 1/2"	22 7/8"	3/4"	1
4 Back panel	31 7/8"	20 3/8"	7/8"	1
5 Right panel	24"	21"	3/4"	1
total 5				

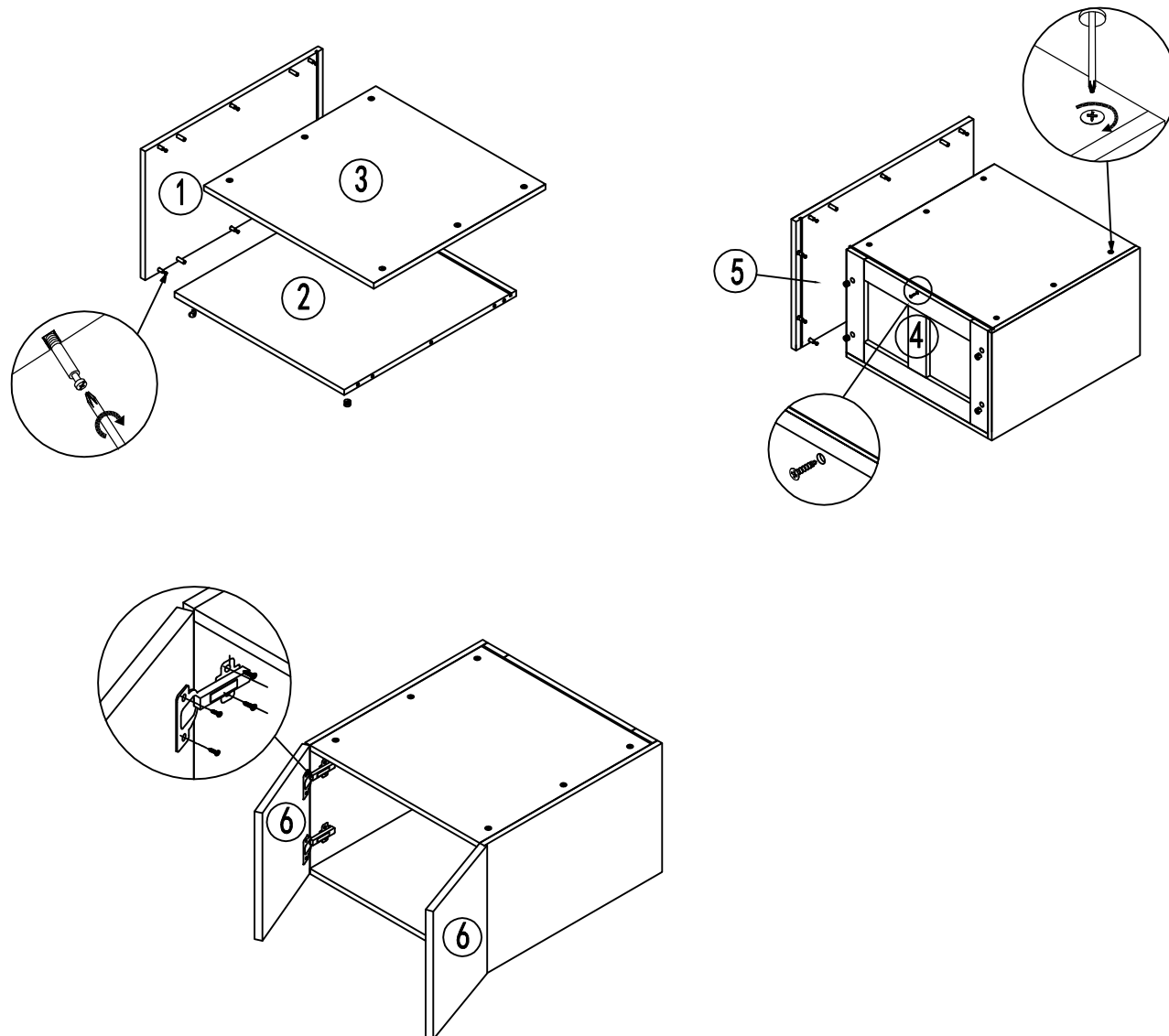
### DOOR

6 Door	16 3/8"	20 7/8"	3/4"	2
--------	---------	---------	------	---

V 2.0

# ASSEMBLY INSTRUCTION

## W362124



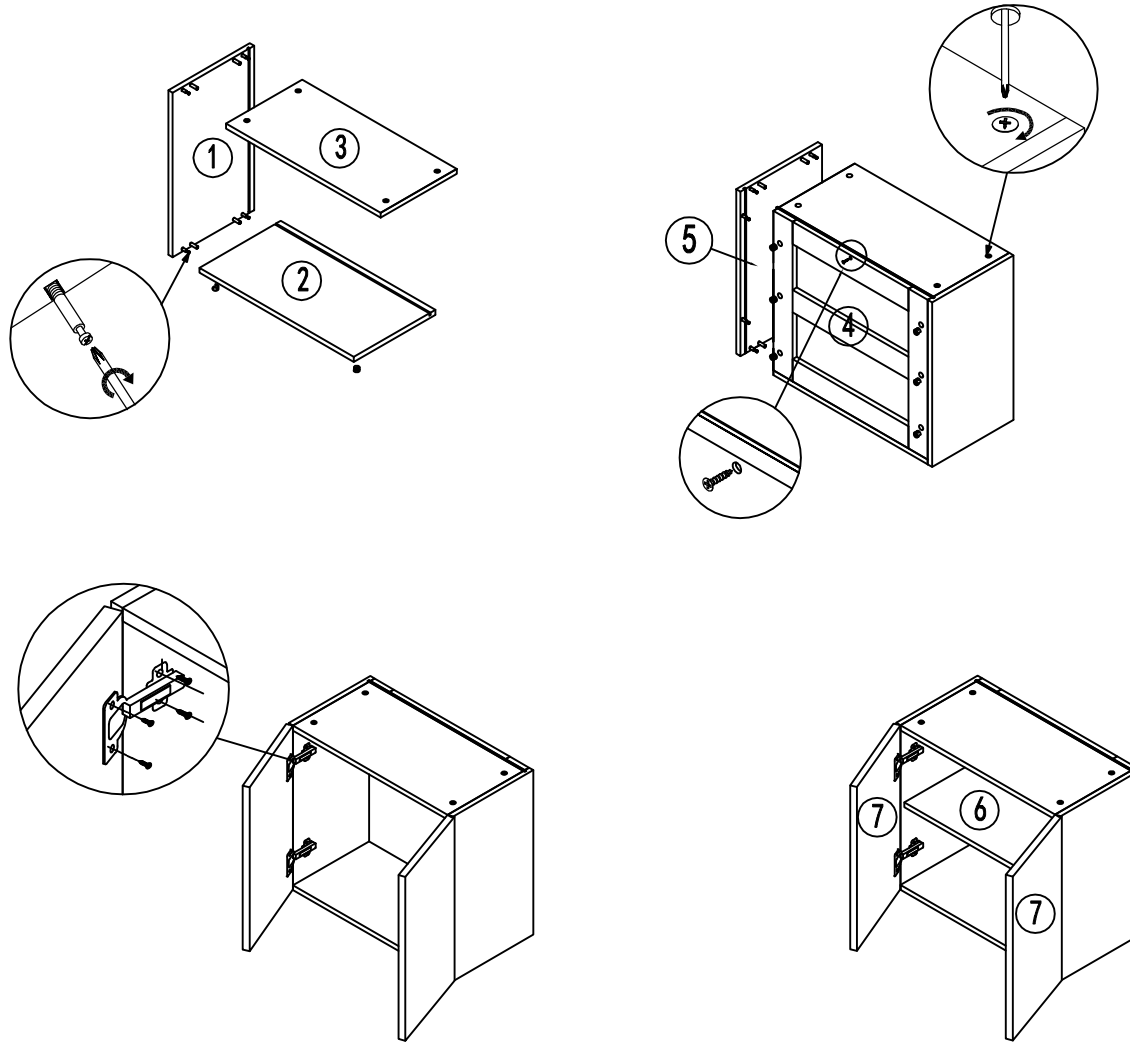
W362124

PICTURE	ITEM	SPEC	QTY.		
	Hinge	Damper hinges	4		
	Cam lock	Ø15*13	16		
	Cam lock screw	Ø8*35	16		
	Dowel	Ø8*35	8		
	Tapping screw	3.5*35	1		
<b>BOX</b>					
Part	L	W	T	QTY.	
1	Left panel	24"	21"	3/4"	1
2	Bottom panel	34 1/2"	24"	3/4"	1
3	Top panel	34 1/2"	22 7/8"	3/4"	1
4	Back panel	34 7/8"	20 3/8"	7/8"	1
5	Right panel	24"	21"	3/4"	1
total				5	
<b>DOOR</b>					
6	Door	17 7/8"	20 7/8"	3/4"	2

V 2.0

# ASSEMBLY INSTRUCTION

## W3024



W3024

PICTURE	ITEM	SPEC	QTY.
	Hinge	Damper hinges	4
	Cam lock	Ø15*13	14
	Cam lock screw	Ø8*35	14
	Dowel	Ø8*35	8
	Shelf support	Ø5	4
	Tapping screw	3.5*35	1

BOX

Part	L	W	T	QTY.
1 Left panel	24"	12"	3/4"	1
2 Bottom panel	28 1/2"	12"	3/4"	1
3 Top panel	28 1/2"	11 1/8"	3/4"	1
4 Back panel	28 7/8"	23 3/8"	7/8"	1
5 Right panel	24"	12"	3/4"	1
6 shelf	28 1/2"	10 7/8"	3/4"	1
				total 6

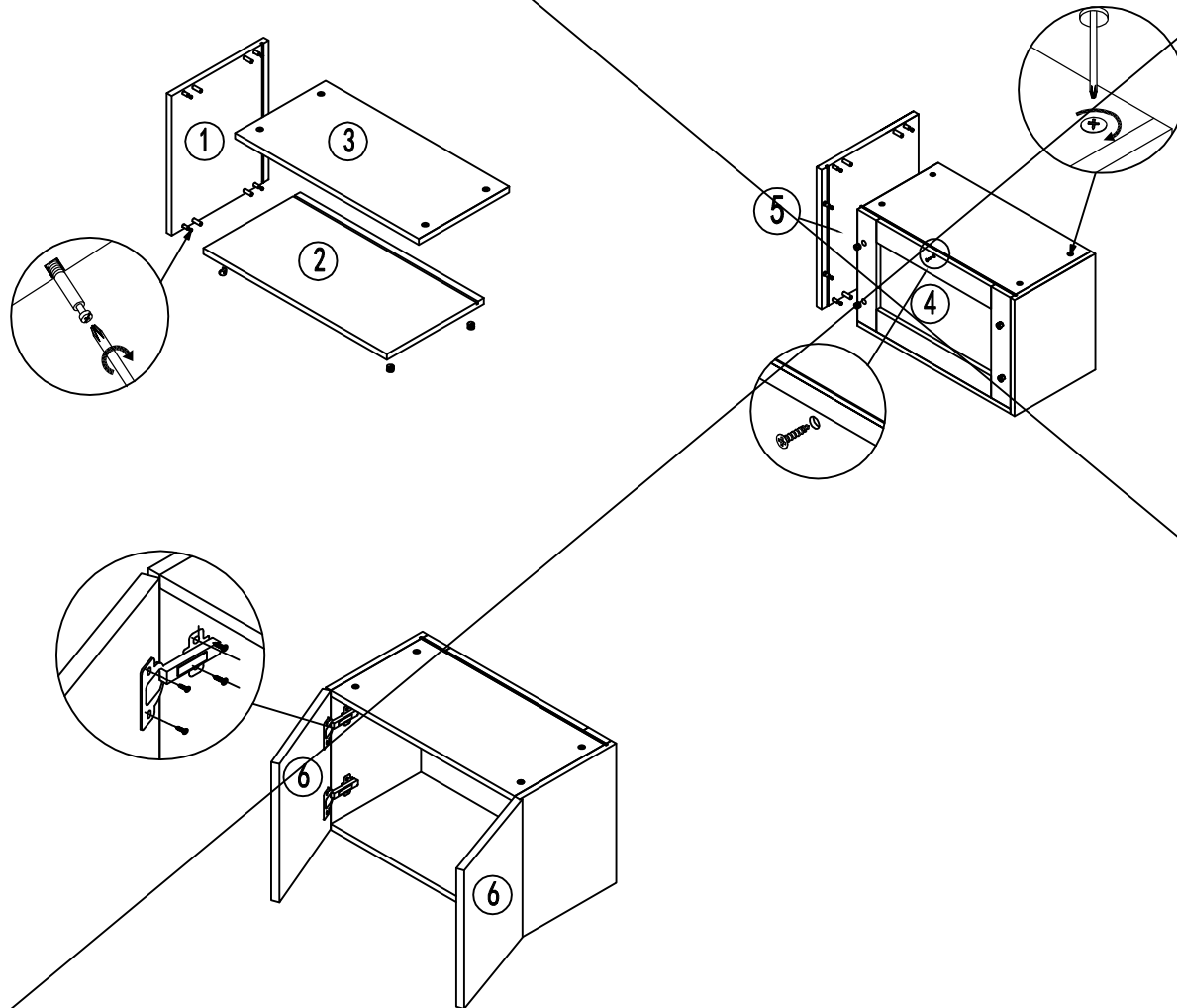
DOOR

7 door	14 7/8"	23 7/8"	3/4"	2
--------	---------	---------	------	---

V 2.0

# ASSEMBLY INSTRUCTION

## W3324



W3324

PICTURE	ITEM	SPEC	QTY.
	Hinge	Damper hinges	4
	Cam lock	Ø15*13	12
	Cam lock screw	Ø8*35	12
	Dowel	Ø8*35	8
	Tapping screw	3.5*35	1

BOX

Part	L	W	T	QTY.
1 Left panel	24"	12"	3/4"	1
2 Bottom panel	31 1/2"	12"	3/4"	1
3 Top panel	31 1/2"	11 1/8"	3/4"	1
4 Back panel	23 3/8"	31 7/8"	7/8"	1
5 Right panel	24"	12"	3/4"	1
total 5				

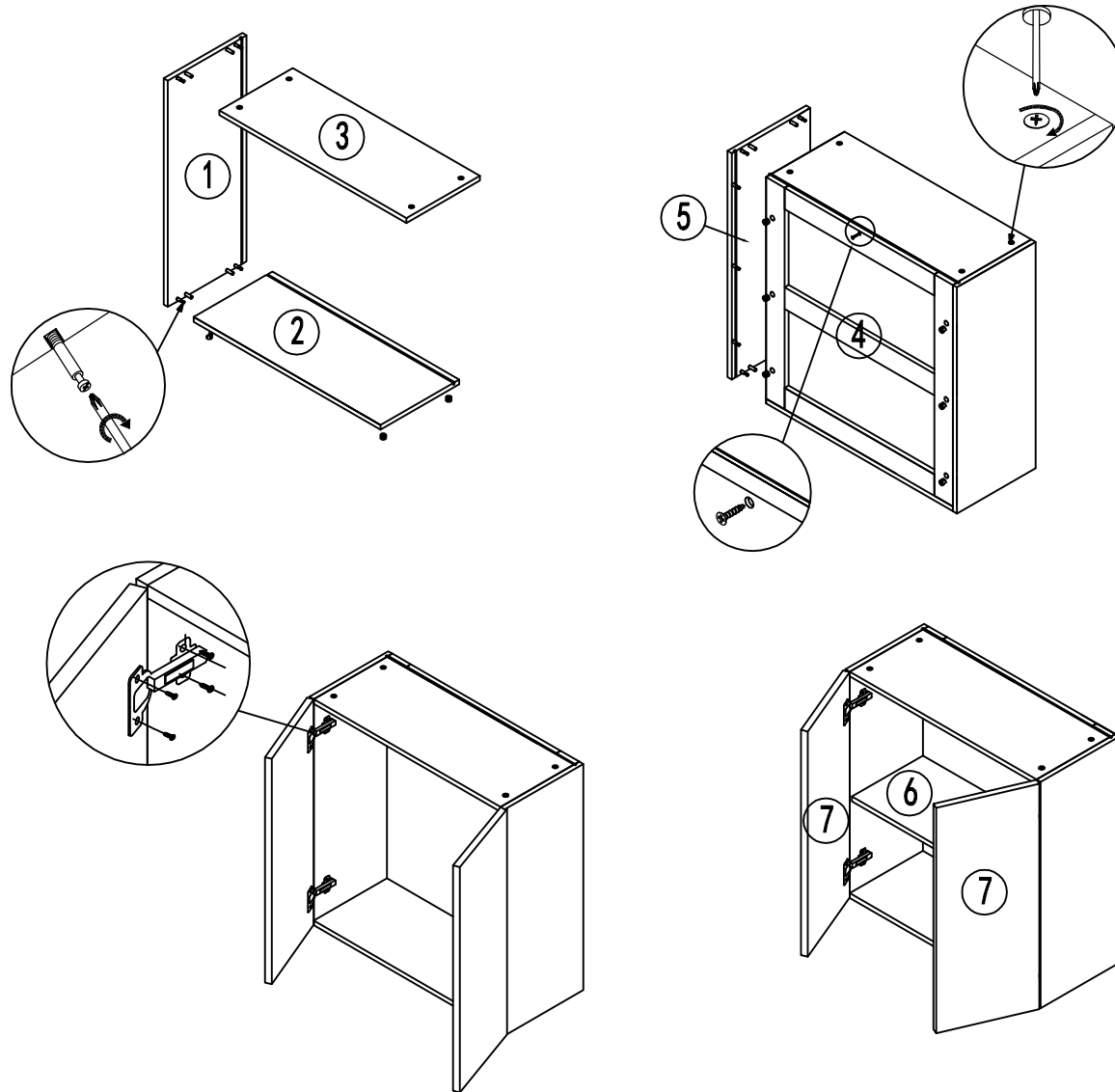
DOOR

6 door	23 7/8"	16 3/8"	3/4"	2
--------	---------	---------	------	---

V 2.0

# ASSEMBLY INSTRUCTION

## W3624



W3624

PICTURE	ITEM	SPEC	QTY.
	Hinge	Damper hinges	4
	Cam lock	Ø15*13	14
	Cam lock screw	Ø8*35	14
	Dowel	Ø8*35	8
	Shelf support	Ø5	4
	Tapping screw	3.5*35	1

BOX

Part	L	W	T	QTY.
1 Left panel	24"	12"	3/4"	1
2 Bottom panel	34 1/2"	12"	3/4"	1
3 Top panel	34 1/2"	11 1/8"	3/4"	1
4 Back panel	34 7/8"	23 3/8"	7/8"	1
5 Right panel	24"	12"	3/4"	1
6 shelf	34 1/2"	10 7/8"	3/4"	1
				total 6

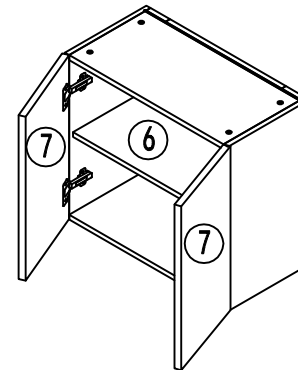
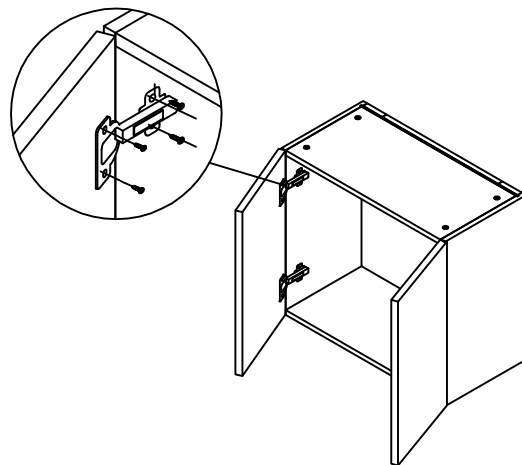
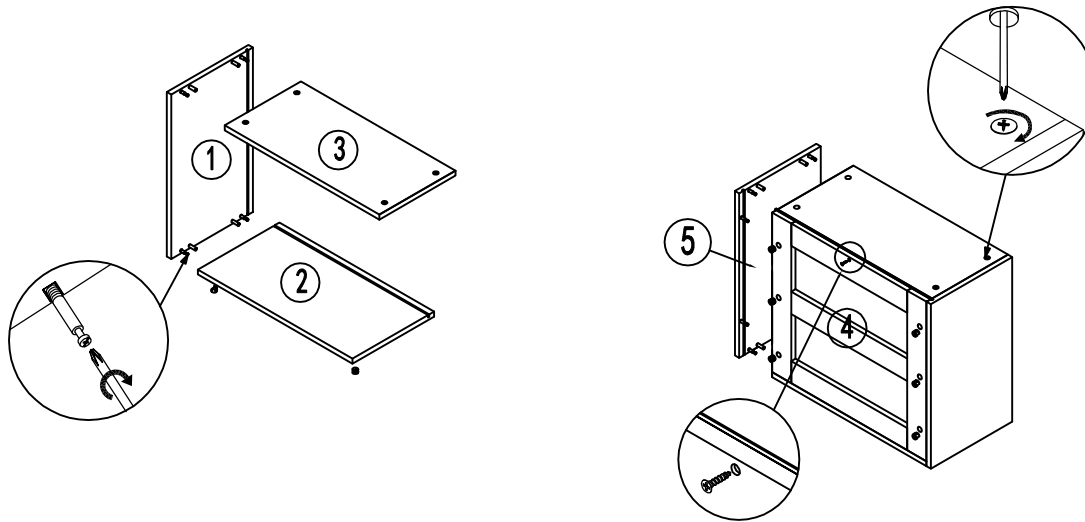
DOOR

7 Door	17 7/8"	23 7/8"	3/4"	2
--------	---------	---------	------	---

V 2.0

# ASSEMBLY INSTRUCTION

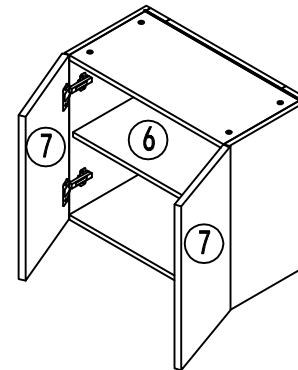
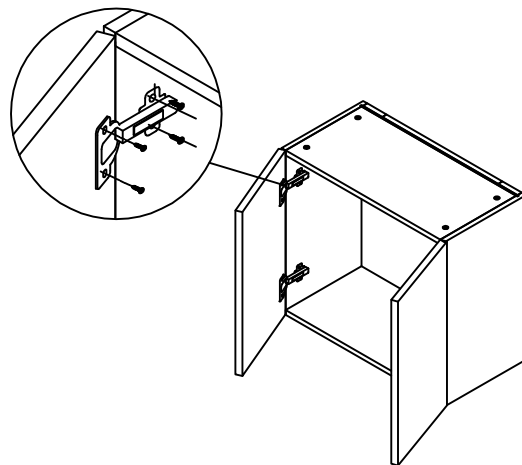
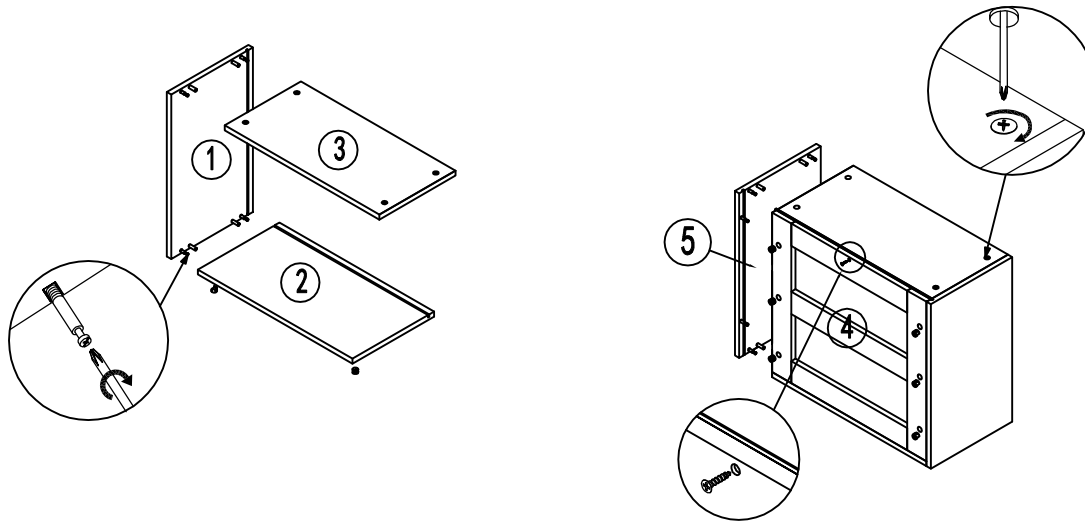
## W3324



W3324					
PICTURE	ITEM	SPEC	QTY.		
	Hinge	Damper hinges	4		
	Cam lock	Ø15*13	14		
	Cam lock screw	Ø8*35	14		
	Dowel	Ø8*35	8		
	Shelf support	Ø5	4		
	Tapping screw	3.5*35	1		
BOX					
Part	L	W	T	QTY.	
1	Left panel	24"	12"	3/4"	1
2	Bottom panel	31 1/2"	12"	3/4"	1
3	Top panel	31 1/2"	11 1/8"	3/4"	1
4	Back panel	23 3/8"	31 7/8"	7/8"	1
5	Right panel	24"	12"	3/4"	1
6	shelf	31 1/2"	10 7/8"	3/4"	1
total				6	
DOOR					
7	door	23 7/8"	16 3/8"	3/4"	2

# ASSEMBLY INSTRUCTION

## W2424DD



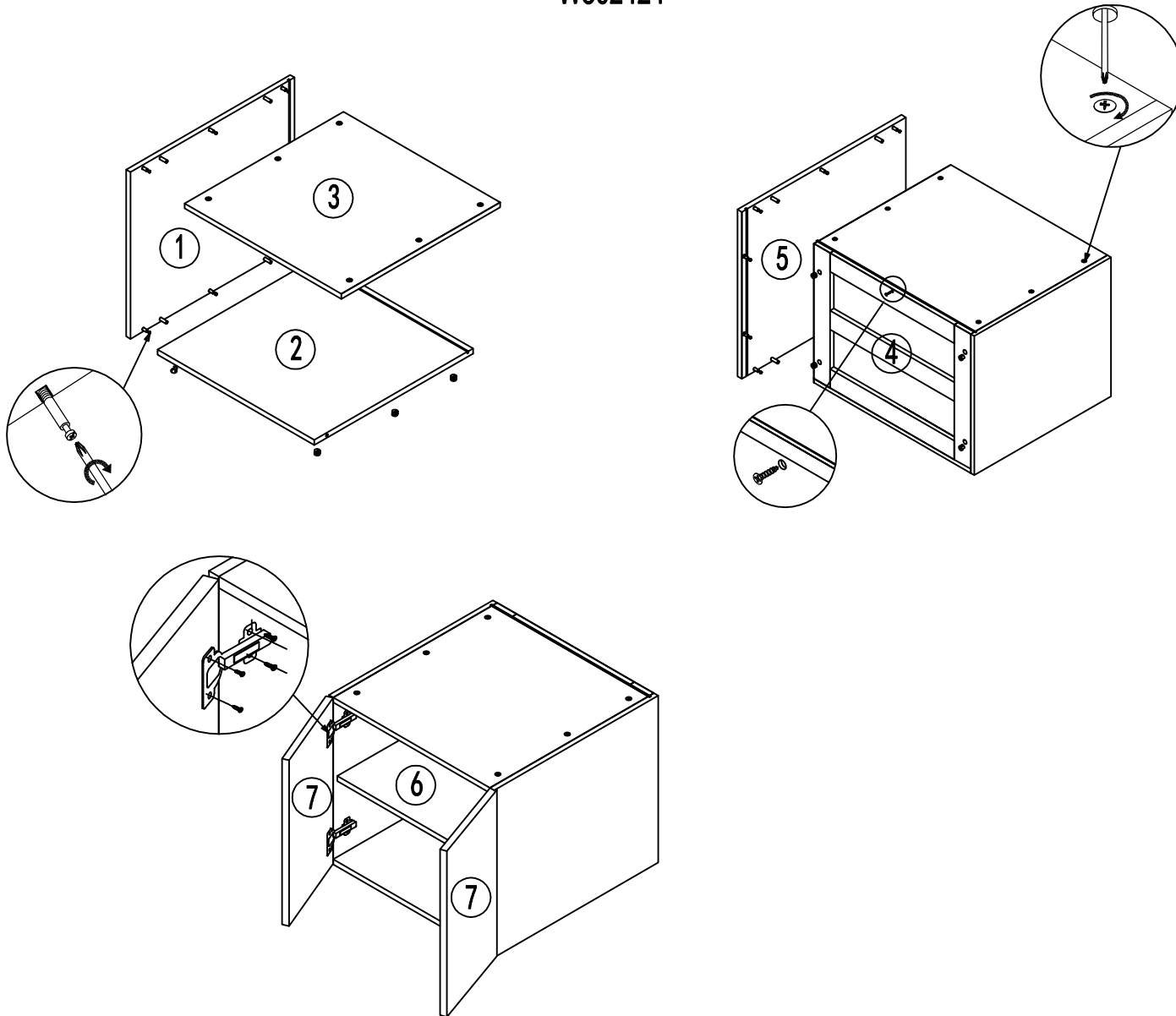
W2424DD

PICTURE	ITEM	SPEC	QTY.		
	Hinge	Damper hinges	4		
	Cam lock	Ø15*13	14		
	Cam lock screw	Ø8*35	14		
	Dowel	Ø8*35	8		
	Shelf support	Ø5	4		
	Tapping screw	3.5*35	1		
<b>BOX</b>					
	<b>Part</b>	<b>L</b>	<b>W</b>	<b>T</b>	<b>QTY.</b>
1	Left panel	24"	12"	3/4"	1
2	Bottom panel	22 1/2"	12"	3/4"	1
3	Top panel	22 1/2"	11 1/8"	3/4"	1
4	Back panel	23 3/8"	22 7/8"	7/8"	1
5	Right panel	24"	12"	3/4"	1
6	shelf	28 1/2"	10 7/8"	3/4"	1
<b>total 6</b>					
<b>DOOR</b>					
7	door	23 7/8"	11 7/8"	3/4"	2

V 2.0

# ASSEMBLY INSTRUCTION

## W302424



W302424

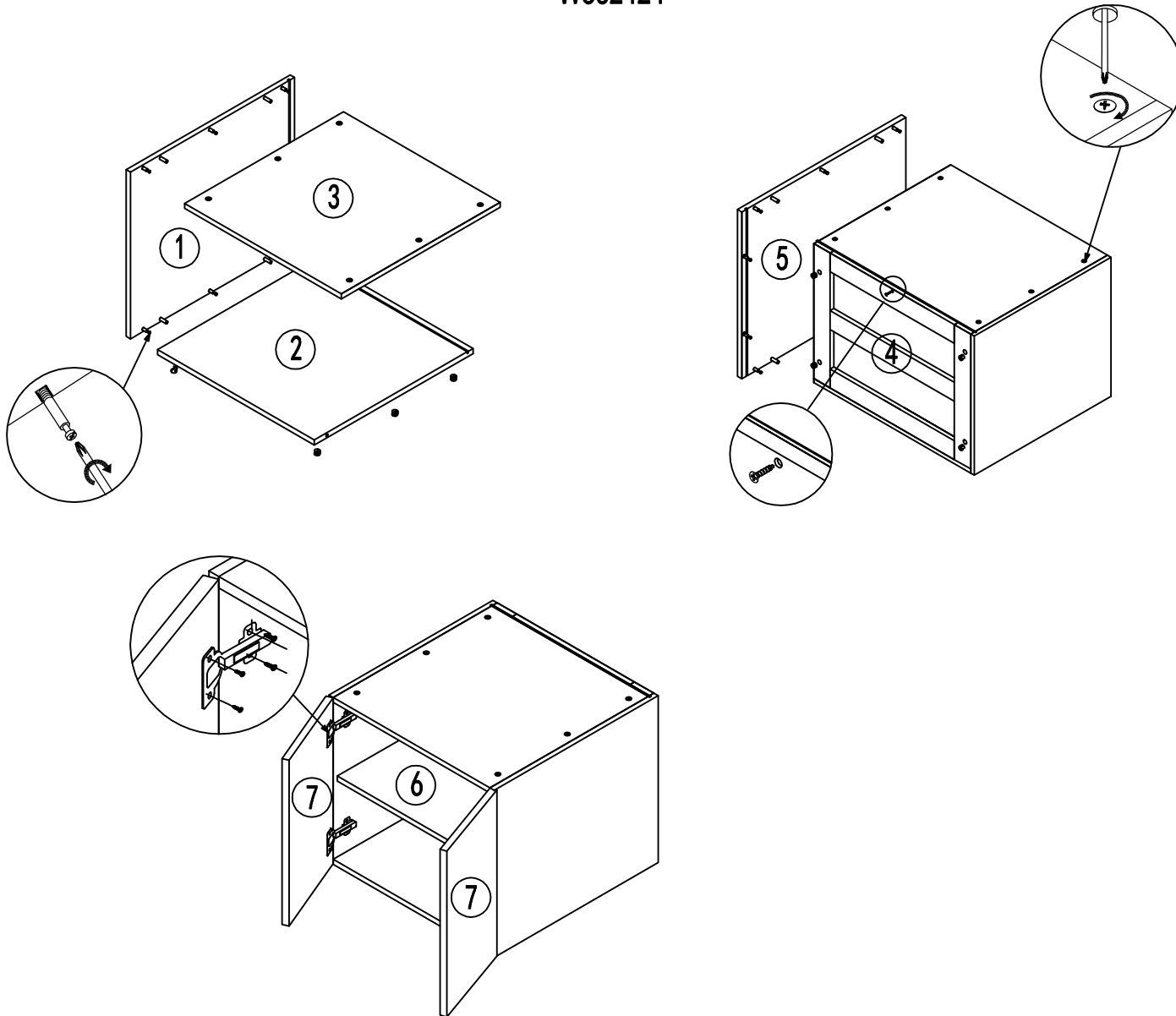
PICTURE	ITEM	SPEC	QTY.		
	Hinge	Damper hinges	4		
	Cam lock	Ø15*13	18		
	Cam lock screw	Ø8*35	18		
	Dowel	Ø8*35	8		
	Shelf support	Ø5	4		
	Tapping screw	3.5*35	1		
<b>BOX</b>					
	<b>Part</b>	<b>L</b>	<b>W</b>	<b>T</b>	<b>QTY.</b>
1	Left panel	24"	24"	3/4"	1
2	Bottom panel	28 1/2"	24"	3/4"	1
3	Top panel	28 1/2"	22 7/8"	3/4"	1
4	Back panel	28 7/8"	23 3/8"	7/8"	1
5	Right panel	24"	24"	3/4"	1
6	Shelf	28 1/2"	22 3/8"	3/4"	1
<b>total 6</b>					
<b>DOOR</b>					
7	Door	14 7/8"	23 7/8"	3/4"	2

V 2.0



# ASSEMBLY INSTRUCTION

## W332424

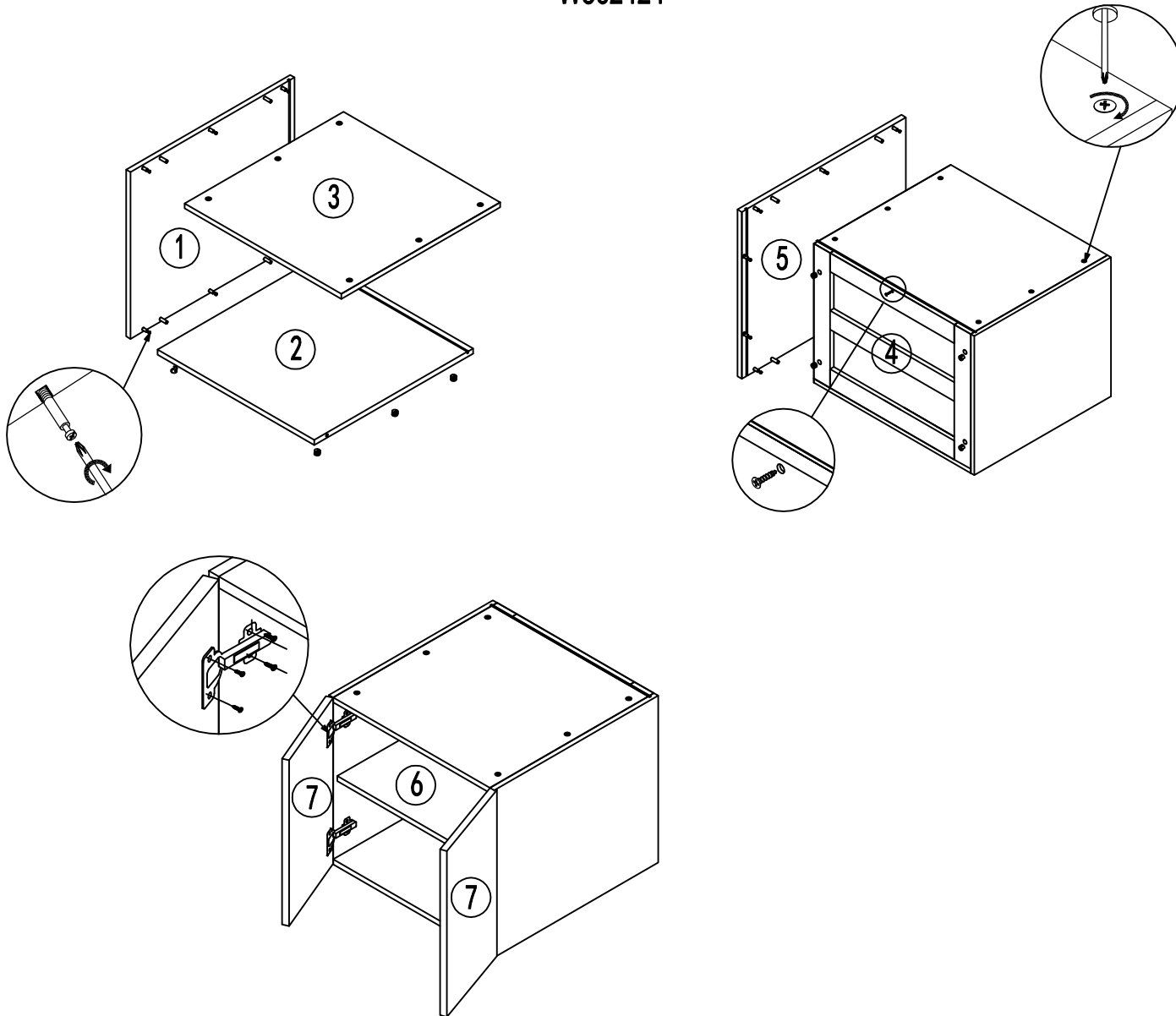


W332424					
PICTURE	ITEM	SPEC	QTY.		
	Hinge	Damper hinges	4		
	Cam lock	Ø15*13	18		
	Cam lock screw	Ø8*35	18		
	Dowel	Ø8*35	8		
	Shelf support	Ø5	4		
	Tapping screw	3.5*35	1		
BOX					
Part	L	W	T	QTY.	
1	Left panel	24"	24"	3/4"	1
2	Bottom panel	31 1/2"	24"	3/4"	1
3	Top panel	31 1/2"	22 7/8"	3/4"	1
4	Back panel	31 7/8"	23 3/8"	7/8"	1
5	Right panel	24"	24"	3/4"	1
6	Shelf	31 1/2"	22 3/8"	3/4"	1
total				6	
DOOR					
7	Door	16 3/8"	23 7/8"	3/4"	2

V 2.0

# ASSEMBLY INSTRUCTION

## W362424



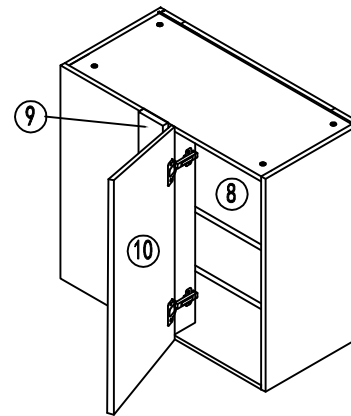
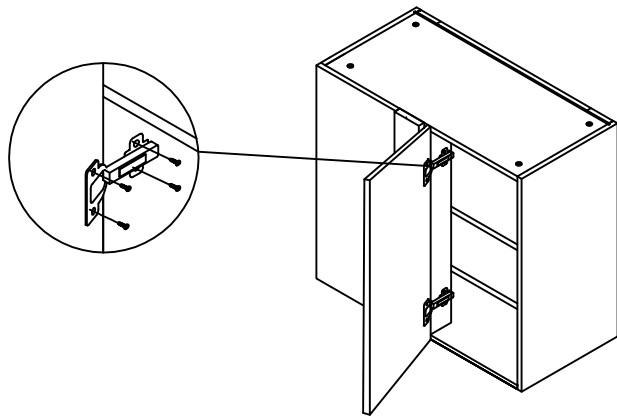
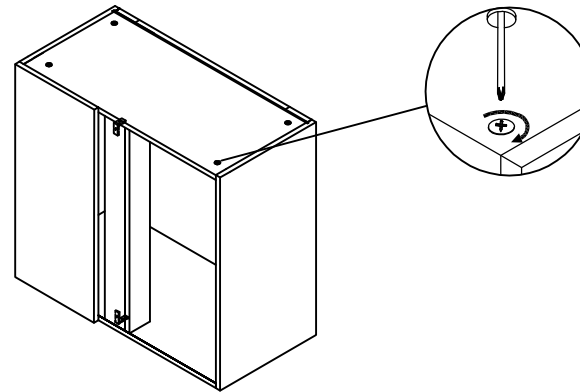
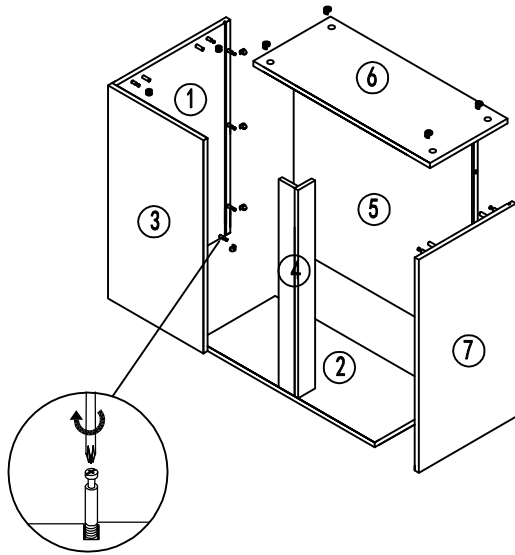
W362424

PICTURE	ITEM	SPEC	QTY.		
	Hinge	Damper hinges	4		
	Cam lock	Ø15*13	18		
	Cam lock screw	Ø8*35	18		
	Dowel	Ø8*35	8		
	Shelf support	Ø5	4		
	Tapping screw	3.5*35	1		
<b>BOX</b>					
	<b>Part</b>	<b>L</b>	<b>W</b>	<b>T</b>	<b>QTY.</b>
1	Left panel	24"	24"	3/4"	1
2	Bottom panel	34 1/2"	24"	3/4"	1
3	Top panel	34 1/2"	22 7/8"	3/4"	1
4	Back panel	34 7/8"	23 3/8"	7/8"	1
5	Right panel	24"	24"	3/4"	1
6	Shelf	34 1/2"	22 3/8"	3/4"	1
total 6					
<b>DOOR</b>					
7	Door	17 7/8"	23 7/8"	3/4"	2

V 2.0

# ASSEMBLY INSTRUCTION

## E-WBC3030



E-WBC3030

PICTURE	ITEM	SPEC	QTY.
	Hinge	Damper hinges	2
	Cam lock	Ø15*13	18
	Cam lock screw	Ø8*35	18
	Dowel	Ø8*35	10
	Shelf support	Ø5	8
	Metal bracket	Corner	2

BOX

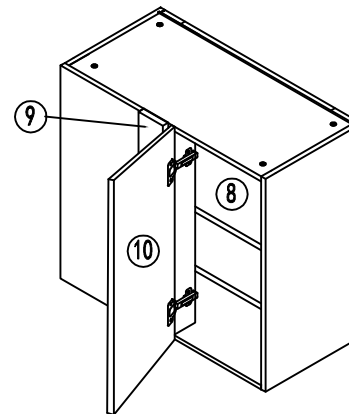
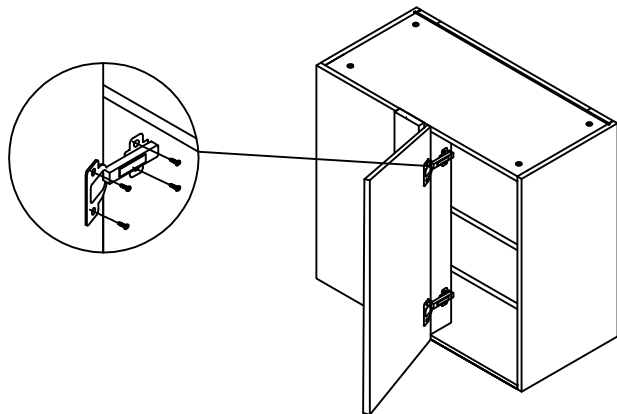
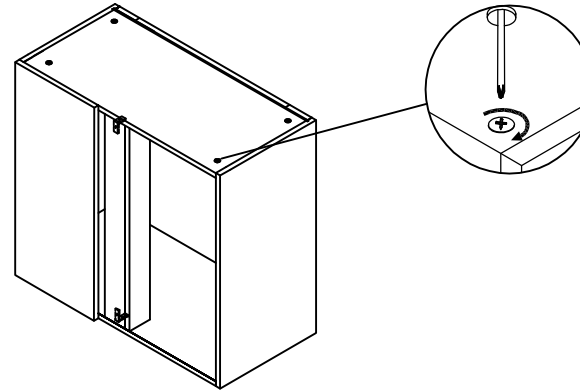
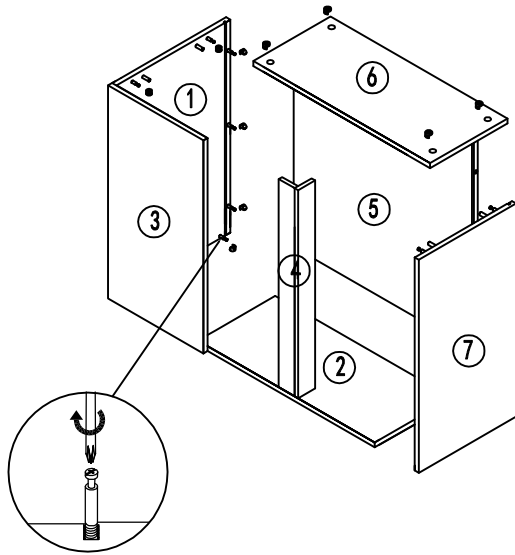
Part	L	W	T	QTY.
1 Left panel	30"	12"	3/4"	1
2 Bottom panel	12"	28 1/2"	3/4"	1
3 End filler	30"	9"	3/4"	1
4 Panel 2	28 1/2"	2 1/2"	3/4"	2
5 Back panel	29 3/8"	28 7/8"	3/4"	1
6 Top panel	11 1/8"	28 1/2"	3/4"	1
7 Right panel	30"	12"	3/4"	1
8 Shelf	8 3/8"	28 1/2"	3/4"	2
				total 10

DOOR

10 Door	29 7/8"	14 7/8"	3/4"	1
9 Filler	29 7/8"	6"	3/4"	1

# ASSEMBLY INSTRUCTION

## E-WBC3036



E-WBC3036

PICTURE	ITEM	SPEC	QTY.
	Hinge	Damper hinges	2
	Cam lock	Ø15*13	18
	Cam lock screw	Ø8*35	18
	Dowel	Ø8*35	10
	Shelf support	Ø5	8
	Metal bracket	Corner	2

BOX

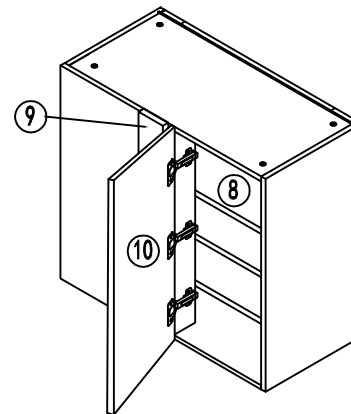
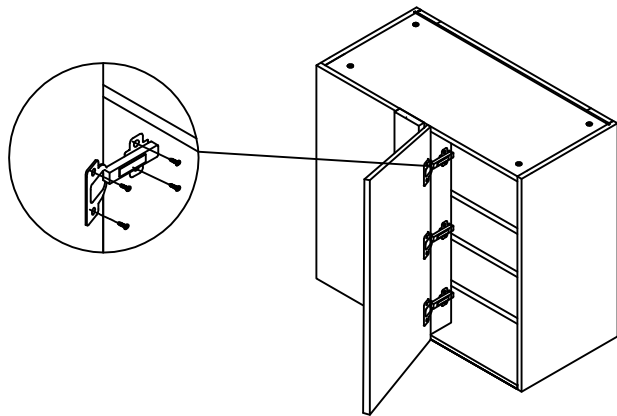
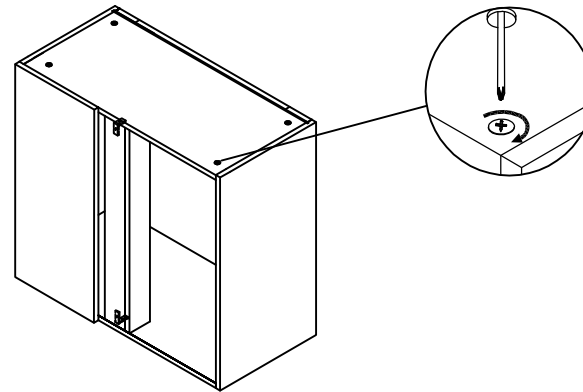
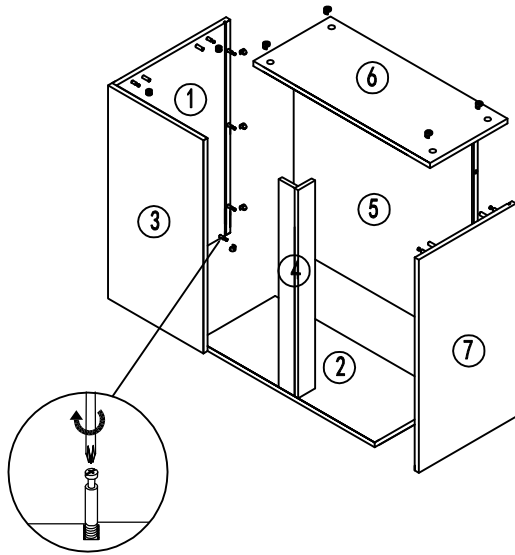
Part	L	W	T	QTY.
1 Left panel	36"	12"	3/4"	1
2 Bottom panel	12"	28 1/2"	3/4"	1
3 End filler	36"	9"	3/4"	1
4 Panel2	34 1/2"	2 1/2"	3/4"	2
5 Back panel	35 3/8"	28 7/8"	3/4"	1
6 Top panel	11 1/8"	28 1/2"	3/4"	1
7 Right panel	36"	12"	3/4"	1
8 Shelf	8 3/8"	28 1/2"	3/4"	2
				total 10

DOOR

10 Door	35 7/8"	14 7/8"	3/4"	1
9 Filler	35 7/8"	6"	3/4"	1

# ASSEMBLY INSTRUCTION

## E-WBC3042



E-WBC3042

PICTURE	ITEM	SPEC	QTY.
	Hinge	Damper hinges	3
	Cam lock	Ø15*13	21
	Cam lock screw	Ø8*35	21
	Dowel	Ø8*35	10
	Shelf support	Ø5	12
	Metal bracket	Corner	2

BOX

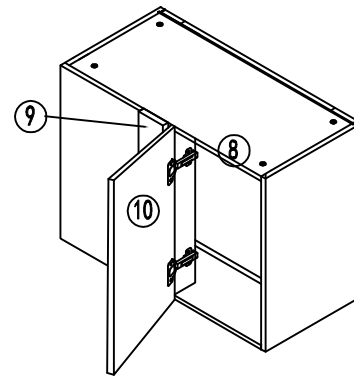
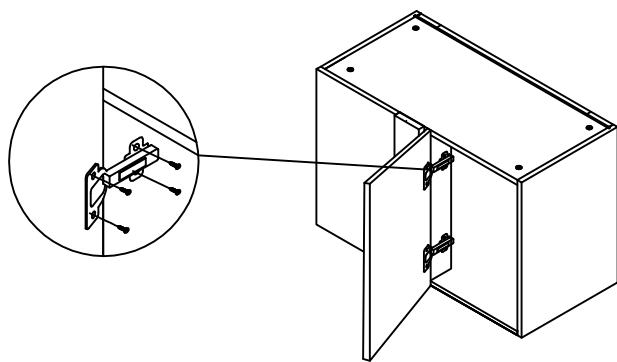
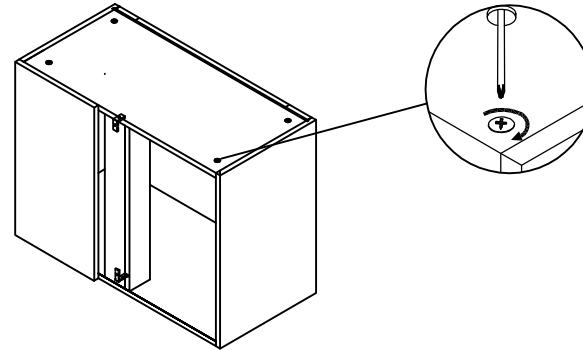
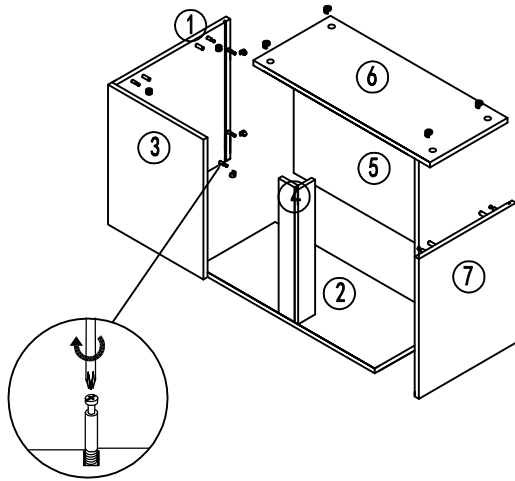
Part	L	W	T	QTY.
1 Left panel	42"	12"	3/4"	1
2 Bottom panel	12"	28 1/2"	3/4"	1
3 End filler	42"	9"	3/4"	1
4 Panel 2	40 1/2"	2 1/2"	3/4"	2
5 Back panel	41 3/8"	28 7/8"	3/4"	1
6 Top panel	11 1/8"	28 1/2"	3/4"	1
7 Right panel	42"	12"	3/4"	1
8 Shelf	8 3/8"	28 1/2"	3/4"	3
				total 11

DOOR

10 Door	41 7/8"	14 7/8"	3/4"	1
9 Filler	41 7/8"	6"	3/4"	1

# ASSEMBLY INSTRUCTION

## E-WBC3018



### E-WBC3018

PICTURE	ITEM	SPEC	QTY.
	Hinge	Damper hinges	2
	Cam lock	Ø15*13	21
	Cam lock screw	Ø8*35	21
	Dowel	Ø8*35	10
	Metal bracket	Corner	2

### BOX

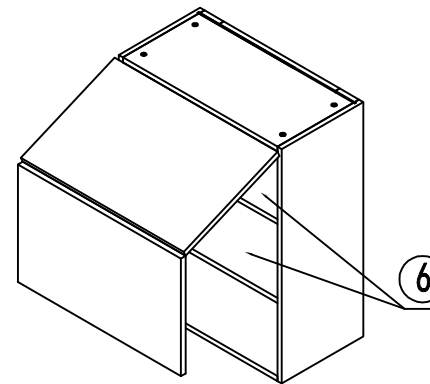
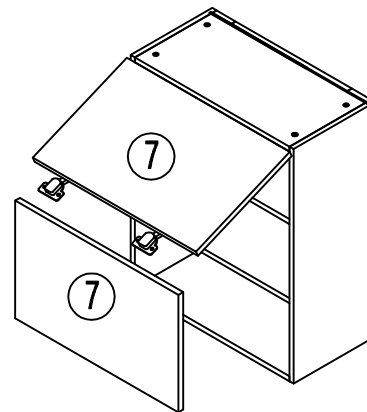
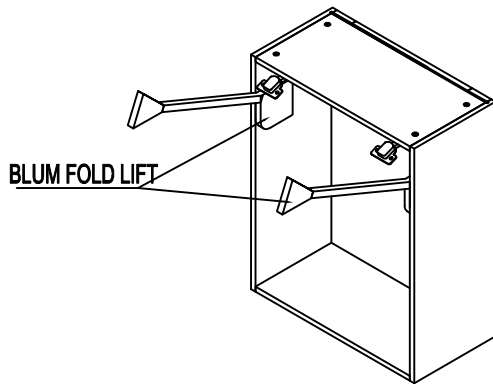
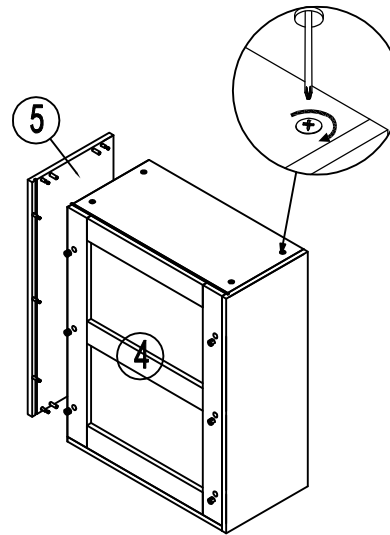
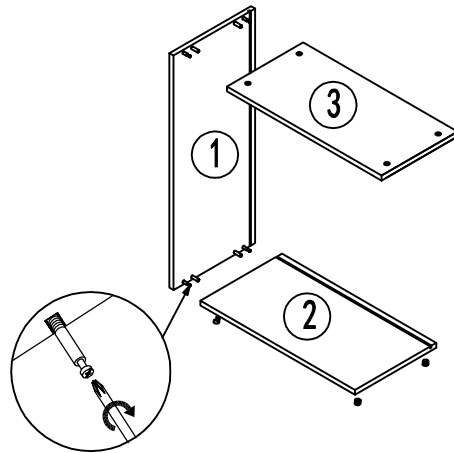
Part	L	W	T	QTY.
1 Left panel	18"	12"	3/4"	1
2 Bottom panel	12"	28 1/2"	3/4"	1
3 End filler	18"	9"	3/4"	1
4 Panel 2	40 1/2"	2 1/2"	3/4"	2
5 Back panel	34 1/2"	28 7/8"	3/4"	1
6 Top panel	11 1/8"	28 1/2"	3/4"	1
7 Right panel	18"	12"	3/4"	1
8 Shelf	8 3/8"	28 1/2"	3/4"	3
				total 11

### DOOR

10 Door	18 7/8"	14 7/8"	3/4"	1
9 Filler	18 7/8"	6"	3/4"	1

# ASSEMBLY INSTRUCTION

## WBF2430



WBF2430

PICTURE	ITEM	SPEC	QTY.
	Cam lock	Ø15*13	14
	Cam lock screw	Ø8*35	14
	Dowel	Ø8*35	8
	Shelf support	Ø5	8

BOX

Part	L	W	T	QTY.	
1	Left panel	30"	12"	3/4"	1
2	Bottom panel	22 1/2"	12"	3/4"	1
3	Top panel	22 1/2"	11 1/8"	3/4"	1
4	Back panel	29 3/8"	22 7/8"	7/8"	1
5	Right panel	30"	12"	3/4"	1
6	Shelf	22 1/2"	10 1/8"	3/4"	2
total 7					

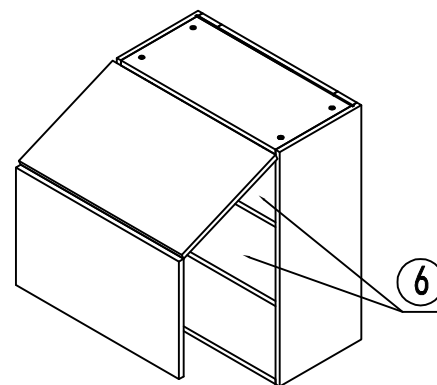
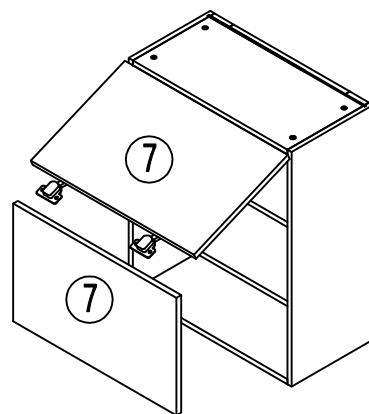
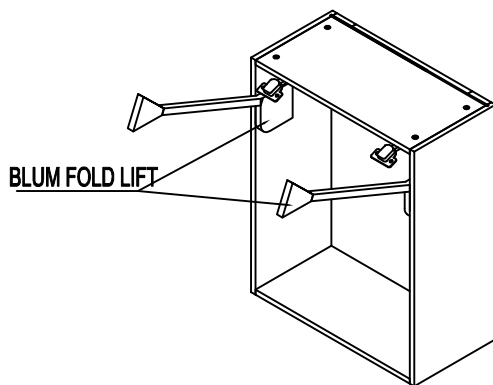
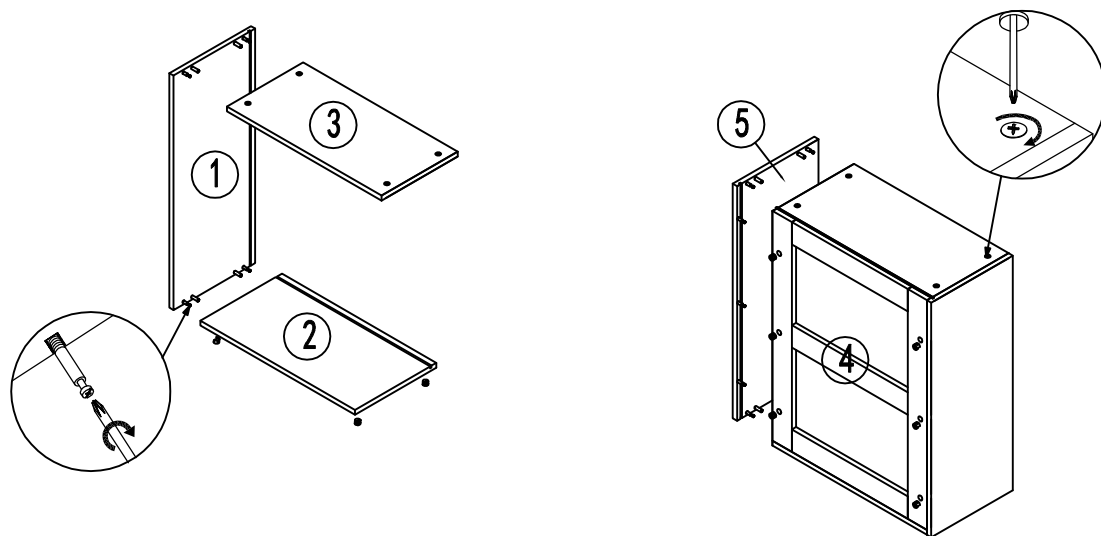
DOOR

7	Door	23 7/8"	14 7/8"	3/4"	2
---	------	---------	---------	------	---

V 2.0

# ASSEMBLY INSTRUCTION

## WBF2730



WBF2730

PICTURE	ITEM	SPEC	QTY.
	Cam lock	Ø15*13	14
	Cam lock screw	Ø8*35	14
	Dowel	Ø8*35	8
	Shelf support	Ø5	8

BOX

Part	L	W	T	QTY.
1 Left panel	30"	12"	3/4"	1
2 Bottom panel	25 1/2"	12"	3/4"	1
3 Top panel	25 1/2"	11 1/8"	3/4"	1
4 Back panel	29 3/8"	25 7/8"	7/8"	1
5 Right panel	30"	12"	3/4"	1
6 Shelf	25 1/2"	10 1/8"	3/4"	2
total 7				

DOOR

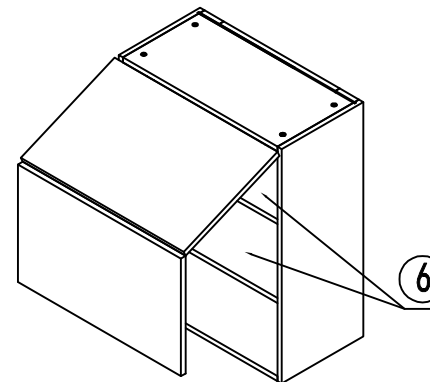
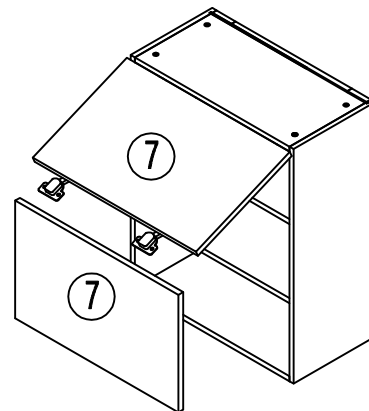
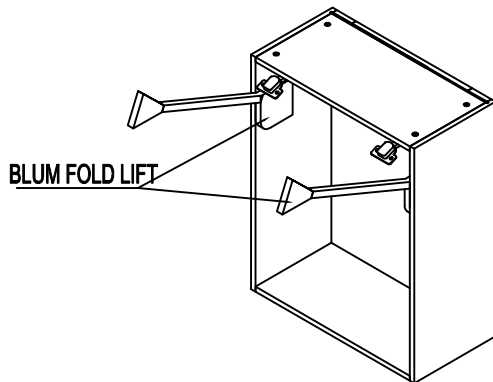
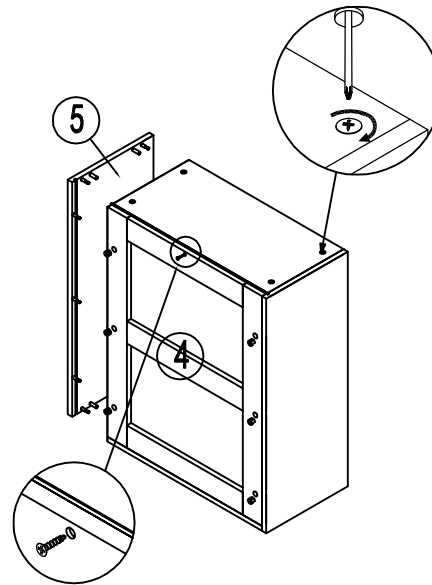
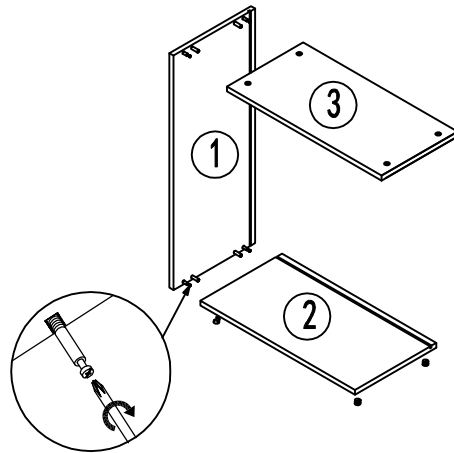
7 Door	26 7/8"	14 7/8"	3/4"	2
--------	---------	---------	------	---

V 2.0



# ASSEMBLY INSTRUCTION

## WBF3030



WBF3030

PICTURE	ITEM	SPEC	QTY.
	Cam lock	Ø15*13	14
	Cam lock screw	Ø8*35	14
	Dowel	Ø8*35	8
	Shelf support	Ø5	8
	Tapping screw	3.5*35	1

BOX

Part	L	W	T	QTY.
1 Left panel	30"	12"	3/4"	1
2 Bottom panel	28 1/2"	12"	3/4"	1
3 Top panel	28 1/2"	11 1/8"	3/4"	1
4 Back panel	29 3/8"	28 7/8"	7/8"	1
5 Right panel	30"	12"	3/4"	1
6 Shelf	28 1/2"	10 1/8"	3/4"	2
				total 7

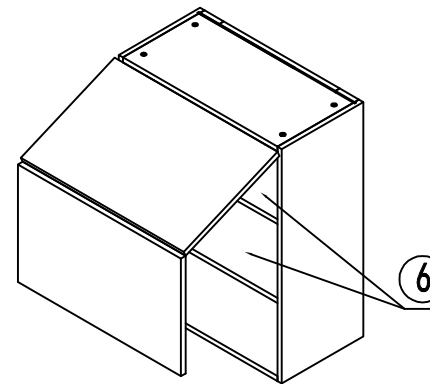
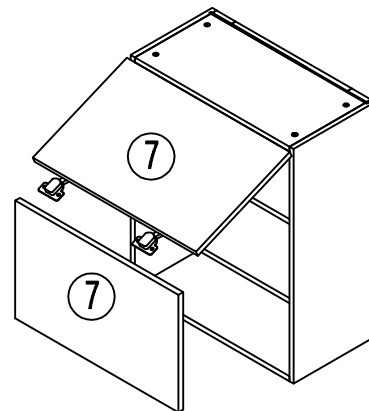
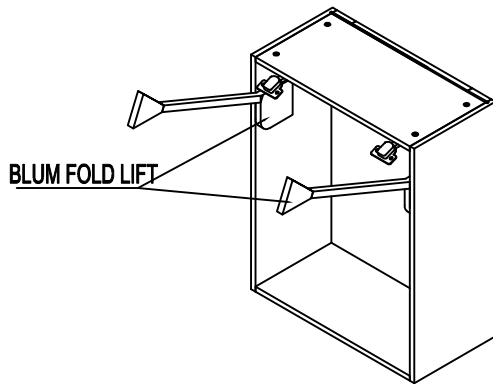
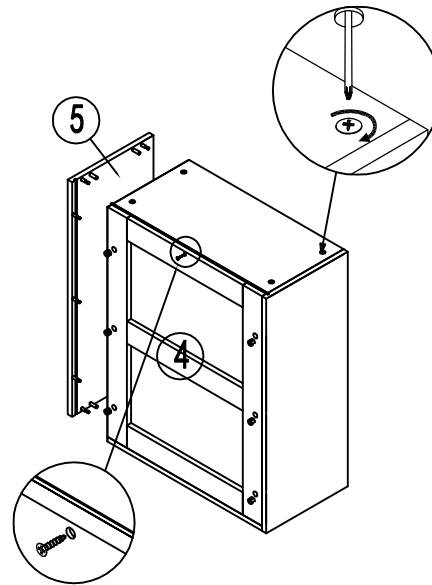
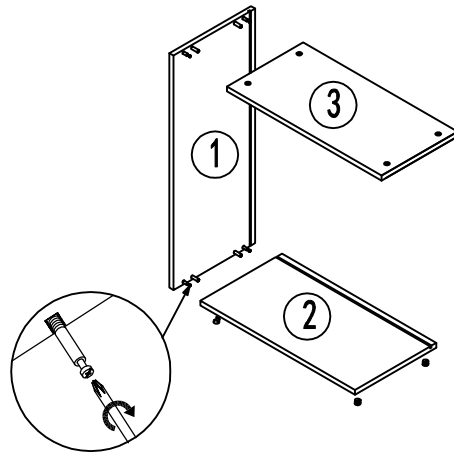
DOOR

7 Door	29 7/8"	14 7/8"	3/4"	2
--------	---------	---------	------	---

V 2.0

# ASSEMBLY INSTRUCTION

## WBF3330



WBF3330

PICTURE	ITEM	SPEC	QTY.
	Cam lock	Ø15*13	14
	Cam lock screw	Ø8*35	14
	Dowel	Ø8*35	8
	Shelf support	Ø5	8
	Tapping screw	3.5*35	1

BOX

Part	L	W	T	QTY.
1 Left panel	30"	12"	3/4"	1
2 Bottom panel	31 1/2"	12"	3/4"	1
3 Top panel	31 1/2"	11 1/8"	3/4"	1
4 Back panel	29 3/8"	31 7/8"	7/8"	1
5 Right panel	30"	12"	3/4"	1
6 Shelf	31 1/2"	10 1/8"	3/4"	2
				total 7

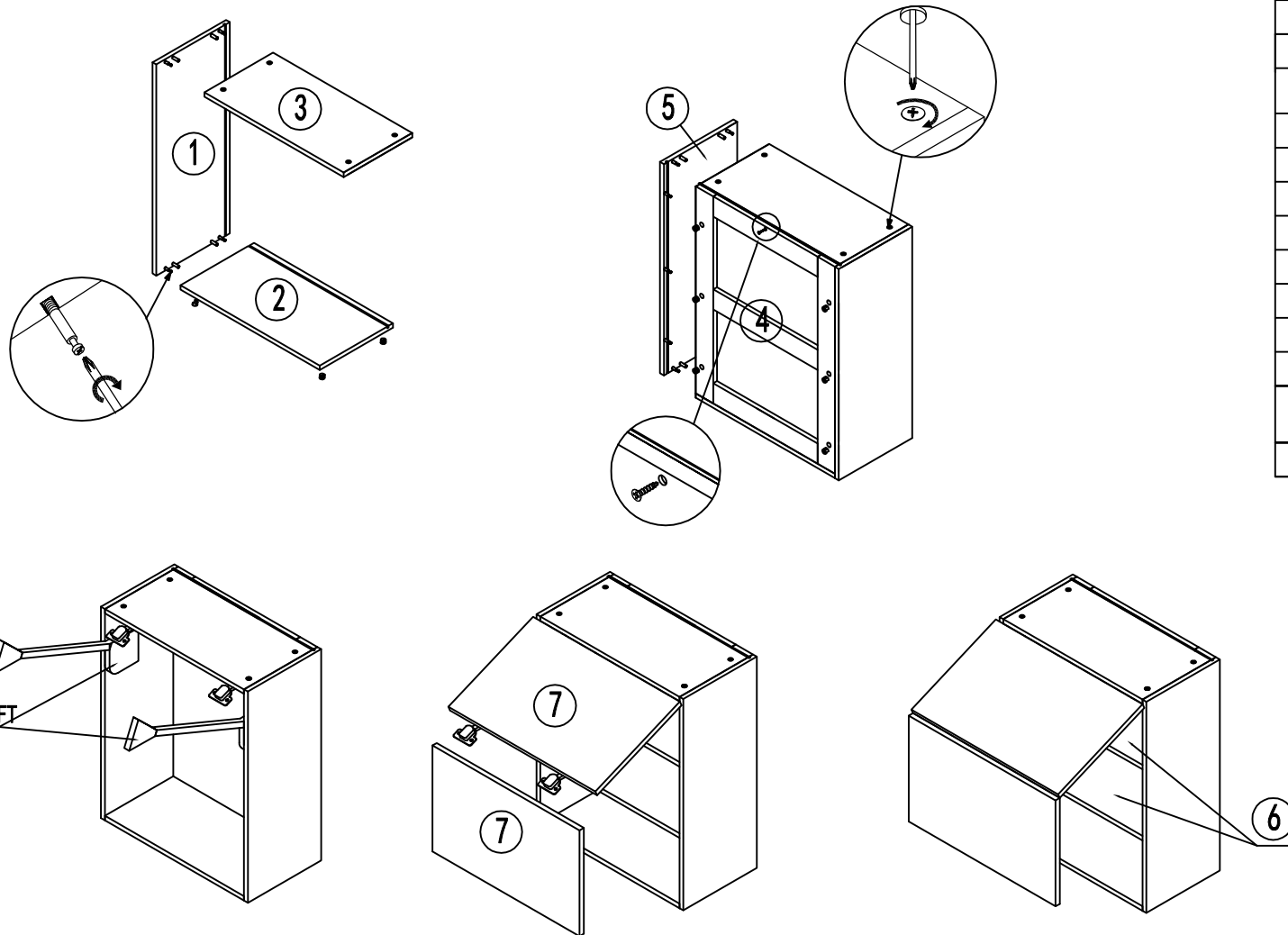
DOOR

7 Door	32 7/8"	14 7/8"	3/4"	2
--------	---------	---------	------	---

V 2.0

# ASSEMBLY INSTRUCTION

## WBF3630



WBF3630

PICTURE	ITEM	SPEC	QTY.
	Cam lock	Ø15*13	14
	Cam lock screw	Ø8*35	14
	Dowel	Ø8*35	8
	Shelf support	Ø5	8
	Tapping screw	3.5*35	1

BOX

Part	L	W	T	QTY.
1 Left panel	30"	12"	3/4"	1
2 Bottom panel	28 1/2"	12"	3/4"	1
3 Top panel	28 1/2"	11 1/8"	3/4"	1
4 Back panel	29 3/8"	34 7/8"	7/8"	1
5 Right panel	30"	12"	3/4"	1
6 Shelf	34 1/2"	10 1/8"	3/4"	2
				total 7

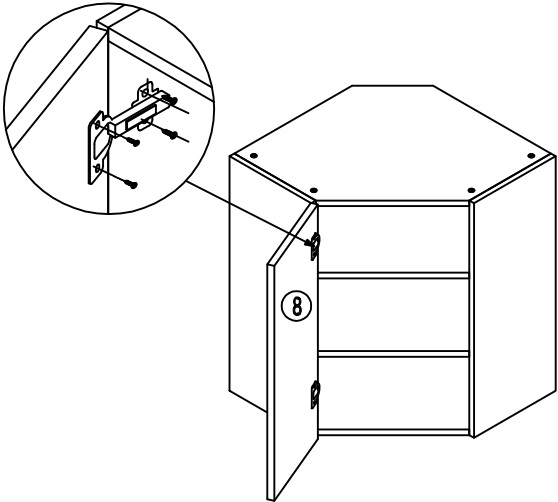
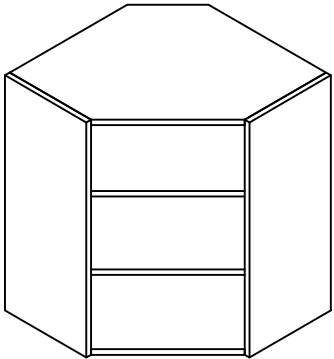
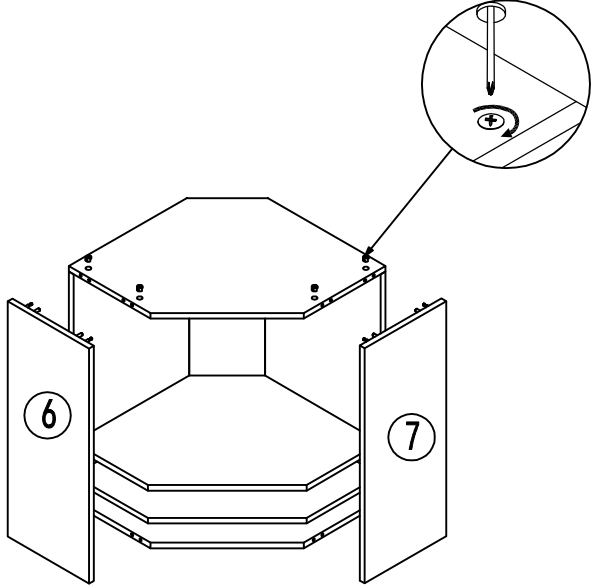
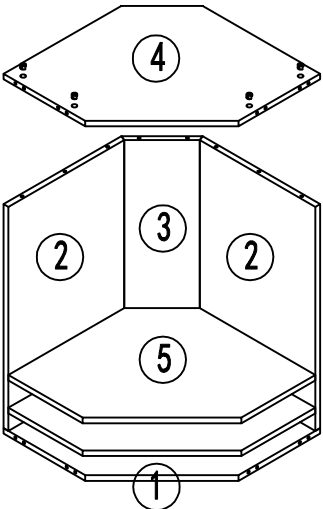
DOOR

7 Door	35 7/8"	14 7/8"	3/4"	2
--------	---------	---------	------	---

V 2.0

# ASSEMBLY INSTRUCTION

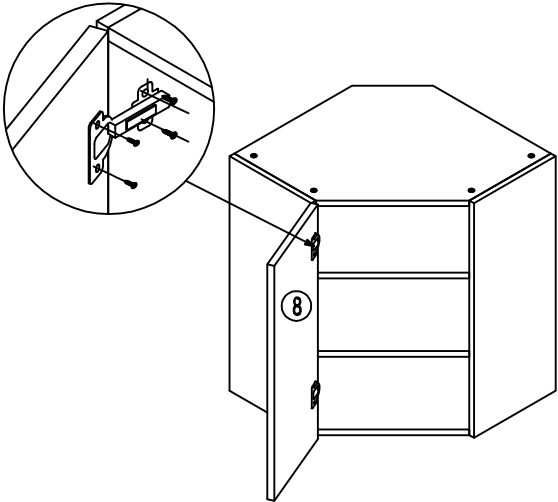
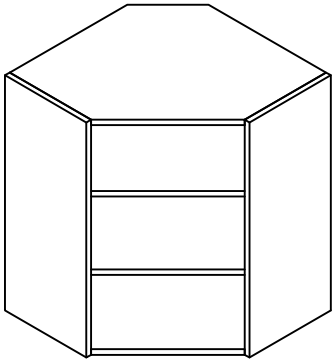
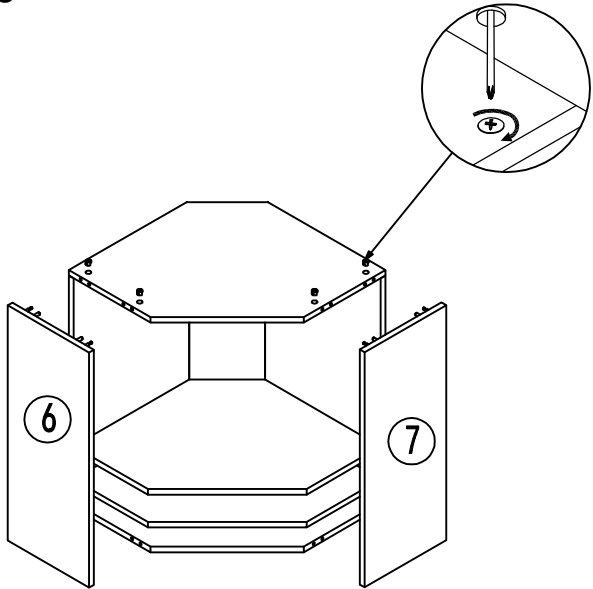
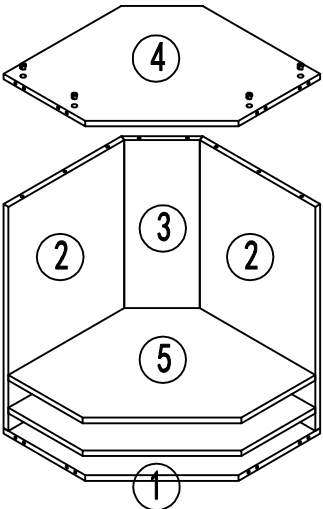
## WDC2430



WDC2430					
PICTURE	ITEM	SPEC	QTY.		
	Hinge	45 angle Hinges	2		
	Cam lock	Ø15*13	26		
	Cam lock screw	Ø8*35	26		
	Dowel	Ø8*35	12		
	Shelf support	Ø5	12		
BOX					
Part	L	W	T	QTY.	
1	Bottom panel	23 1/2"	23 1/2"	3/4"	1
2	Back panel	28 1/2"	17 3/8"	3/4"	2
3	Back panel	28 1/2"	8 1/2"	3/4"	1
4	Top panel	23 1/2"	23 1/2"	3/4"	1
5	Shelf	22 1/2"	22 1/2"	3/4"	2
6	Left panel	30"	12"	3/4"	1
7	Right panel	30"	12"	3/4"	1
total				9	
DOOR					
8	Door	16"	29 7/8"	3/4"	1

# ASSEMBLY INSTRUCTION

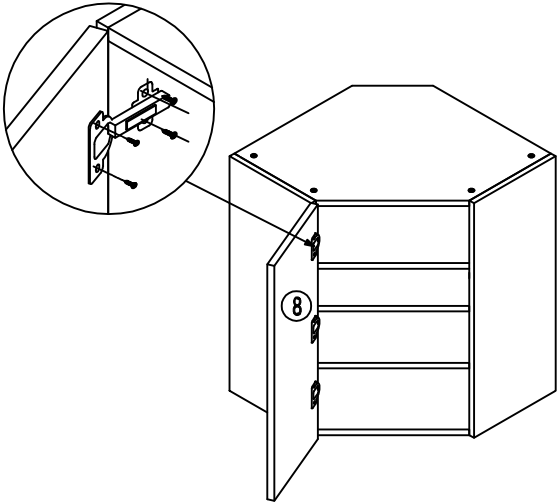
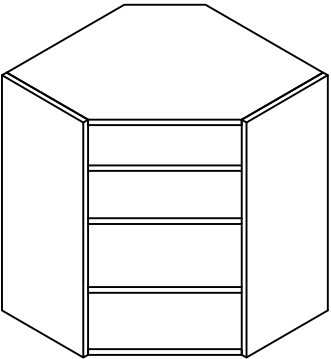
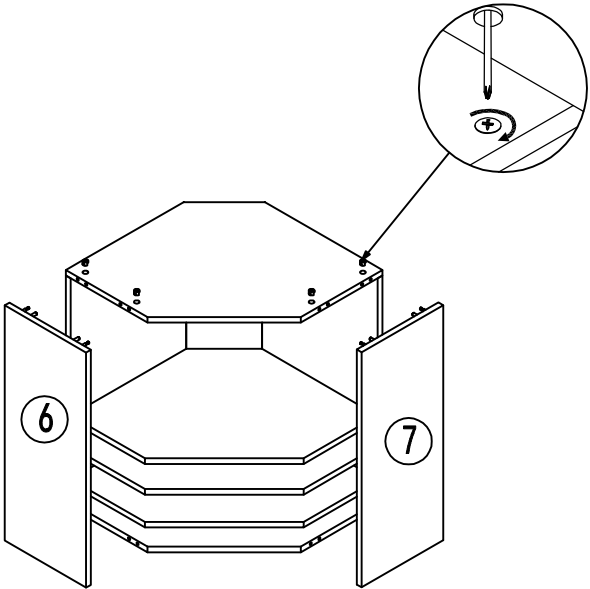
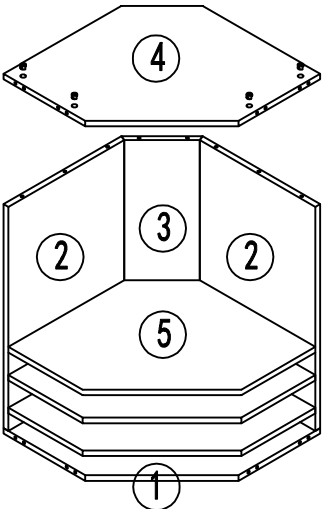
## WDC2436



WDC2436					
PICTURE	ITEM	SPEC	QTY.		
	Hinge	45 angle Hinges	2		
	Cam lock	Ø15*13	26		
	Cam lock screw	Ø8*35	26		
	Dowel	Ø8*35	12		
	Shelf support	Ø5	12		
BOX					
Part	L	W	T	QTY.	
1	Bottom panel	23 1/2"	23 1/2"	3/4"	1
2	Back panel	34 1/2"	17 3/8"	3/4"	2
3	Back panel	34 1/2"	8 1/2"	3/4"	1
4	Top panel	23 1/2"	23 1/2"	3/4"	1
5	shelf	22 1/2"	22 3/8"	3/4"	2
6	Left panel	36"	12"	3/4"	1
7	Right panel	36"	12"	3/4"	1
total				9	
DOOR					
8	Door	16"	35 7/8"	3/4"	1

# ASSEMBLY INSTRUCTION

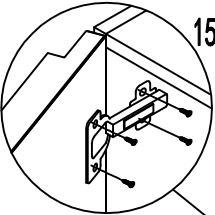
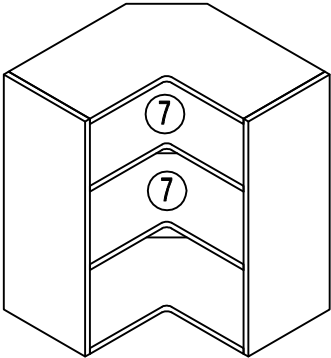
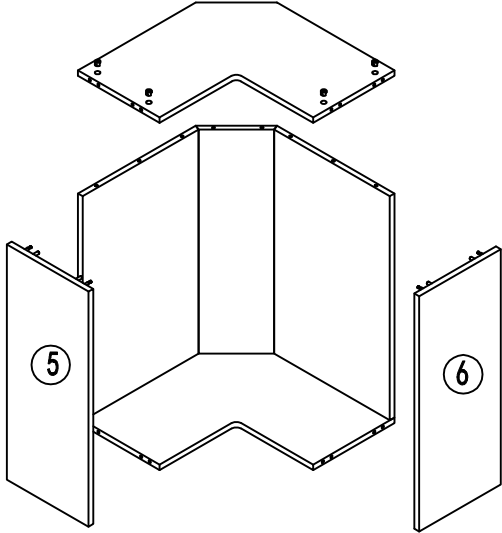
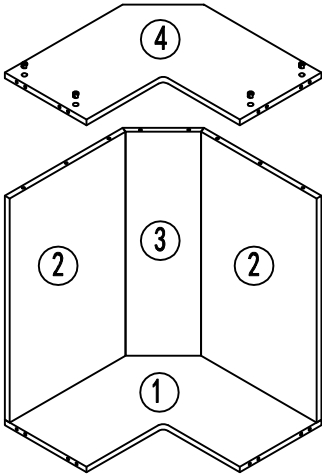
## WDC2442



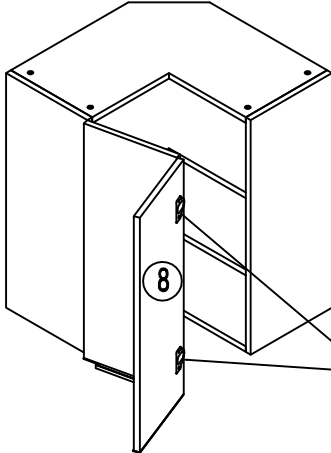
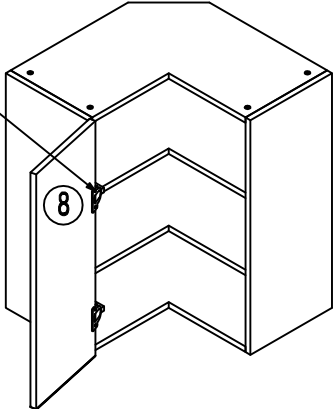
WDC2442					
PICTURE	ITEM	SPEC	QTY.		
	Hinge	45 angle Hinges	3		
	Cam lock	Ø15*13	28		
	Cam lock screw	Ø8*35	28		
	Dowel	Ø8*35	12		
	Shelf support	Ø5	18		
BOX					
Part	L	W	T	QTY.	
1	Bottom panel	23 1/2"	23 1/2"	3/4"	1
2	Back panel	40 1/2"	17 3/8"	3/4"	2
3	Back panel	40 1/2"	8 1/2"	3/4"	1
4	Top panel	23 1/2"	23 1/2"	3/4"	1
5	Shelf	22 1/2"	22 1/2"	3/4"	3
6	Left panel	42"	12"	3/4"	1
7	Right panel	42"	12"	3/4"	1
total				10	
DOOR					
8	Door	16"	41 7/8"	3/4"	1

# ASSEMBLY INSTRUCTION

## WER2430



155 angle Hinges

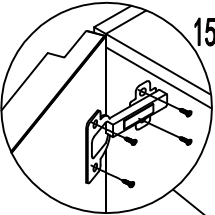
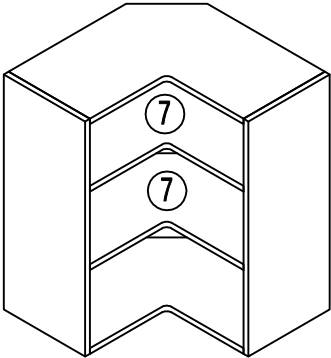
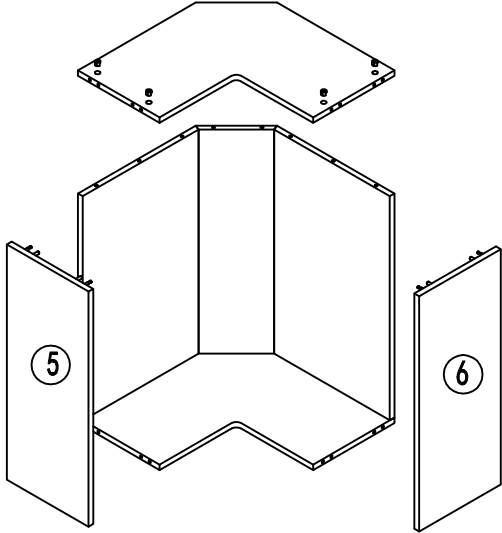
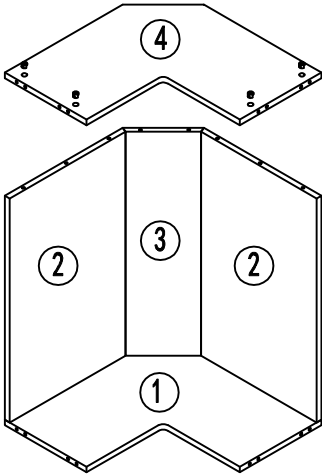


270 angle Hinges

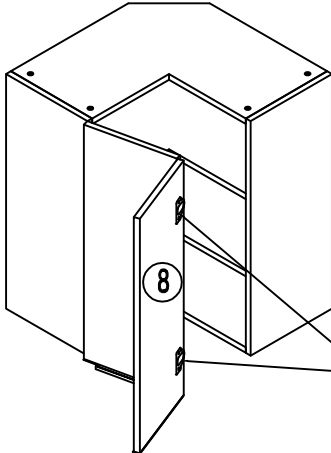
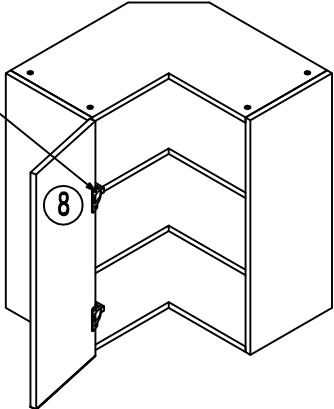
WER2430					
PICTURE	ITEM	SPEC	QTY.		
	Hinge	155 angle Hinges	2		
	Hinge	270 angle Hinges	2		
	Cam lock	φ15*13	26		
	Cam lock screw	φ8*35	26		
	Dowel	φ8*35	12		
	Shelf support	φ5	12		
BOX					
Part		L	W	T	QTY.
1	Bottom panel	23 1/4"	23 1/4"	3/4"	1
2	Back panel1	28 1/2"	17 3/8"	3/4"	2
3	Back panel2	28 1/2"	8 1/2"	3/4"	1
4	Top panel	23 1/4"	23 1/4"	3/4"	1
5	Left panel	30"	12"	3/4"	1
6	Right panel	30"	12"	3/4"	1
7	shelf	22 1/2"	22 1/2"	3/4"	2
total					9
DOOR					
8	Door	11 1/8"	29 7/8"	3/4"	2

# ASSEMBLY INSTRUCTION

## WER2436



155 angle Hinges



270 angle Hinges

WER2436

PICTURE	ITEM	SPEC	QTY.
	Hinge	155 angle Hinges	2
	Hinge	270 angle Hinges	2
	Cam lock	φ15*13	26
	Cam lock screw	φ8*35	26
	Dowel	φ8*35	12
	Shelf support	φ5	12

BOX

Part	L	W	T	QTY.
1 Bottom panel	23 1/4"	23 1/4"	3/4"	1
2 Back panel1	34 1/2"	17 3/8"	3/4"	2
3 Back panel2	34 1/2"	8 1/2"	3/4"	1
4 Top panel	23 1/4"	23 1/4"	3/4"	1
5 Left panel	36"	12"	3/4"	1
6 Right panel	36"	12"	3/4"	1
7 shelf	22 1/2"	22 1/2"	3/4"	2
				total 9

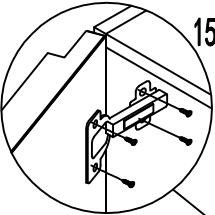
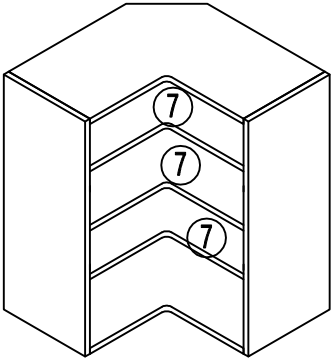
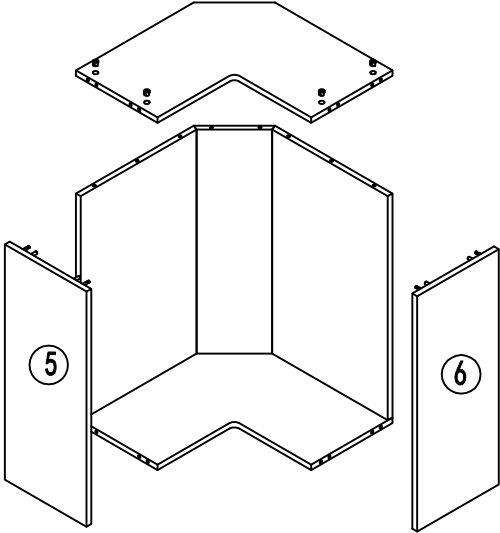
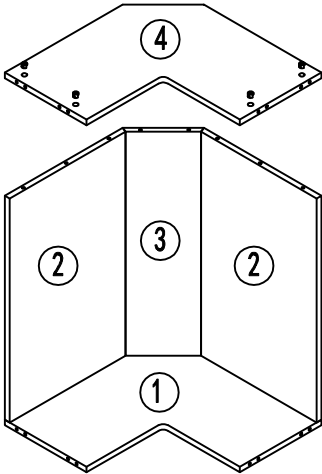
DOOR

8 Door	11 1/8"	35 7/8"	3/4"	2
--------	---------	---------	------	---

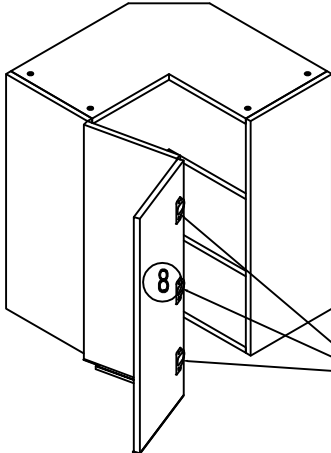
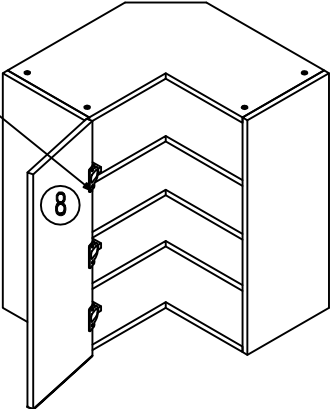


# ASSEMBLY INSTRUCTION

## WER2442



155 angle Hinges



270 angle Hinges

WER2442

PICTURE	ITEM	SPEC	QTY.
	Hinge	155 angle Hinges	3
	Hinge	270 angle Hinges	3
	Cam lock	φ15*13	28
	Cam lock screw	φ8*35	28
	Dowel	φ8*35	12
	Shelf support	φ5	18

BOX

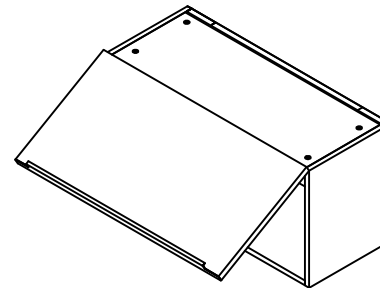
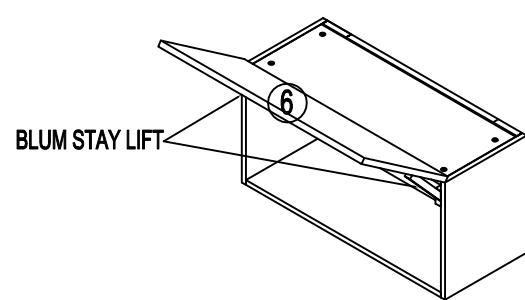
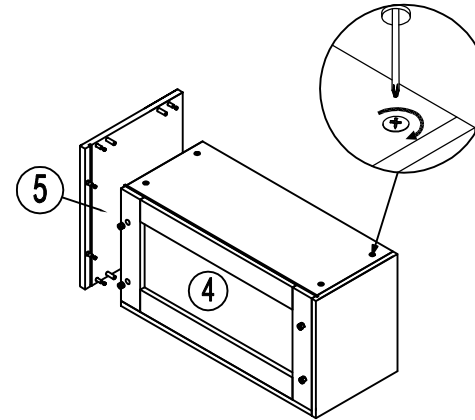
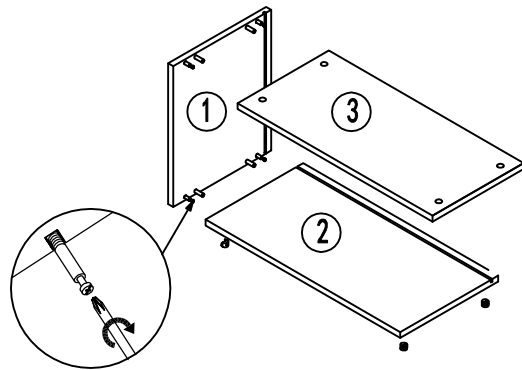
Part	L	W	T	QTY.
1 Bottom panel	23 1/4"	23 1/4"	3/4"	1
2 Back panel1	40 1/2"	17 3/8"	3/4"	2
3 Back panel2	40 1/2"	8 1/2"	3/4"	1
4 Top panel	23 1/4"	23 1/4"	3/4"	1
5 Left panel	42"	12"	3/4"	1
6 Right panel	42"	12"	3/4"	1
7 shelf	22 1/2"	22 1/2"	3/4"	3
				total 10

DOOR

8 Door	11 1/8"	41 7/8"	3/4"	2
--------	---------	---------	------	---

# ASSEMBLY INSTRUCTION

## WSL2412



WSL2412

PICTURE	ITEM	SPEC	QTY.
	Cam lock	Ø15*13	12
	Cam lock screw	Ø8*35	12
	Dowel	Ø8*35	8

BOX

Part	L	W	T	QTY.
1 Left panel	12"	12"	3/4"	1
2 Bottom panel	22 1/2"	12"	3/4"	1
3 Top panel	22 1/2"	11 1/8"	3/4"	1
4 Back panel	22 7/8"	11 3/8"	7/8"	1
5 Right panel	12"	12"	3/4"	1

total 5

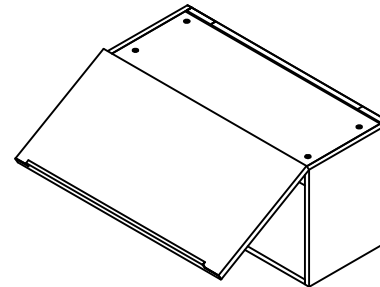
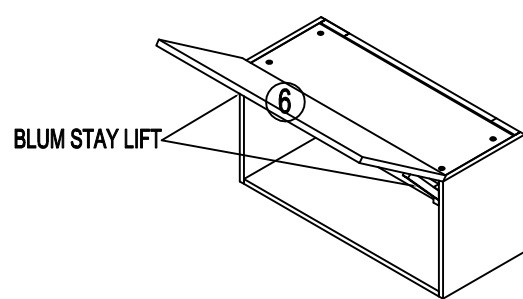
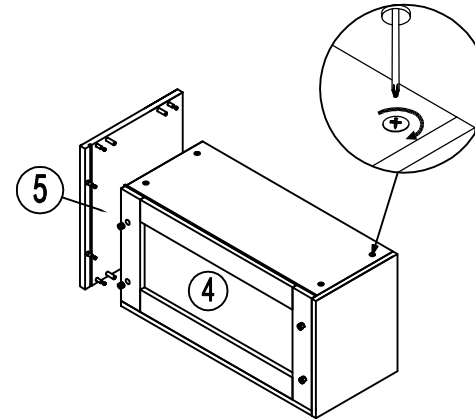
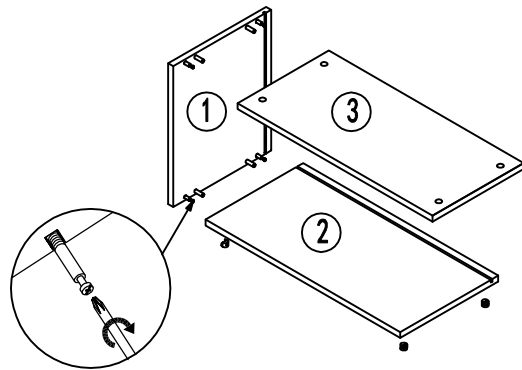
DOOR

6 Door	23 7/8"	11 7/8"	3/4"	1
--------	---------	---------	------	---

V 2.0

# ASSEMBLY INSTRUCTION

## WSL2712



WSL2712

PICTURE	ITEM	SPEC	QTY.
	Cam lock	Ø15*13	12
	Cam lock screw	Ø8*35	12
	Dowel	Ø8*35	8

### BOX

Part	L	W	T	QTY.
1 Left panel	12"	12"	3/4"	1
2 Bottom panel	25 1/2"	12"	3/4"	1
3 Top panel	25 1/2"	11 1/8"	3/4"	1
4 Back panel	25 7/8"	11 3/8"	7/8"	1
5 Right panel	12"	12"	3/4"	1
total 5				

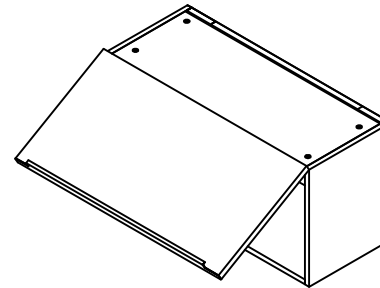
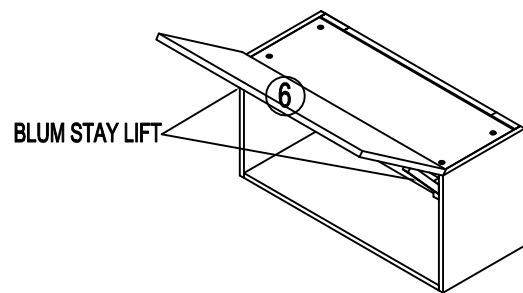
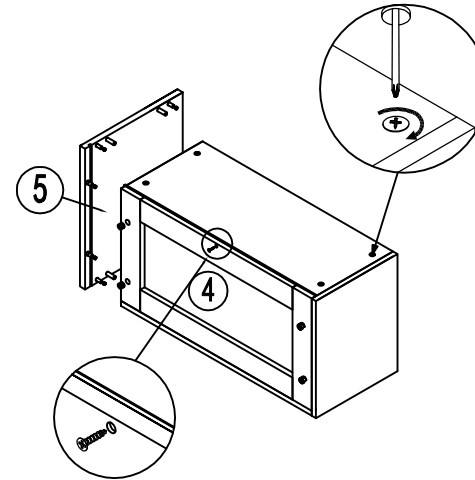
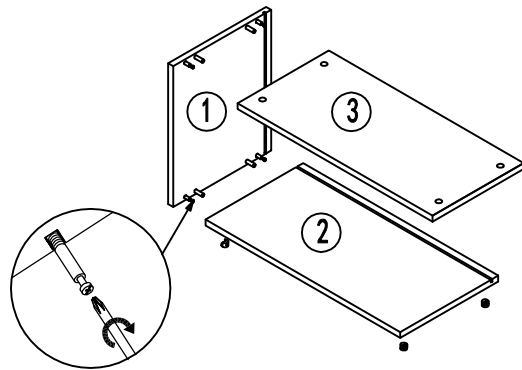
### DOOR

6 Door	26 7/8"	11 7/8"	3/4"	1
--------	---------	---------	------	---

V 2.0

# ASSEMBLY INSTRUCTION

## WSL3012



WSL3012

PICTURE	ITEM	SPEC	QTY.
	Cam lock	Ø15*13	12
	Cam lock screw	Ø8*35	12
	Dowel	Ø8*35	8
	Tapping screw	3.5*35	1

BOX

Part	L	W	T	QTY.
1 Left panel	12"	12"	3/4"	1
2 Bottom panel	28 1/2"	12"	3/4"	1
3 Top panel	28 1/2"	11 1/8"	3/4"	1
4 Back panel	28 7/8"	11 3/8"	7/8"	1
5 Right panel	12"	12"	3/4"	1
total 5				

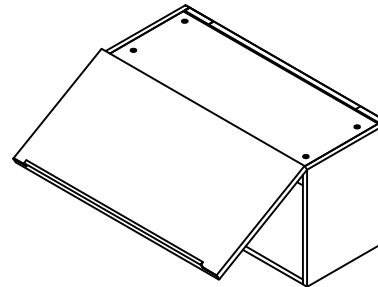
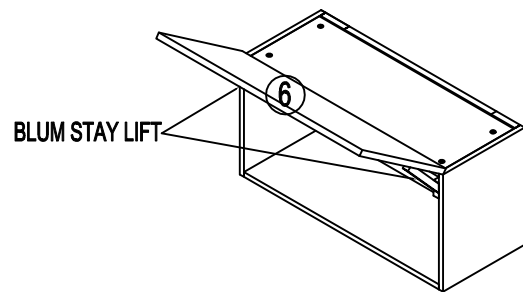
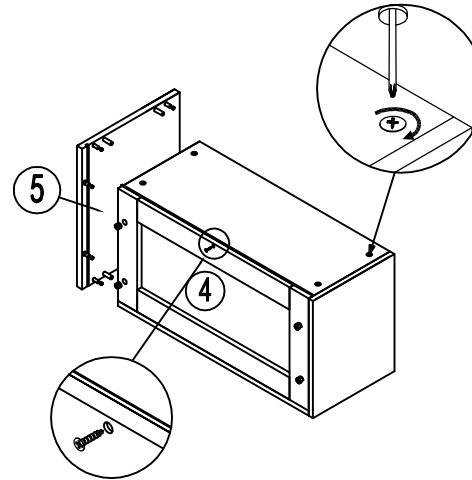
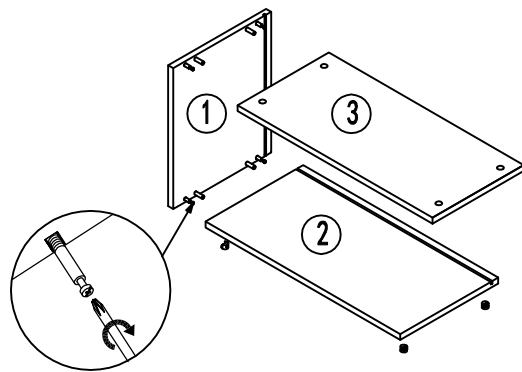
DOOR

6 Door	29 7/8"	11 7/8"	3/4"	1
--------	---------	---------	------	---

V 2.0

# ASSEMBLY INSTRUCTION

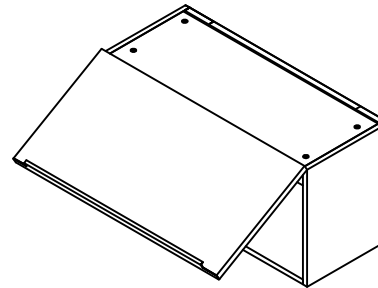
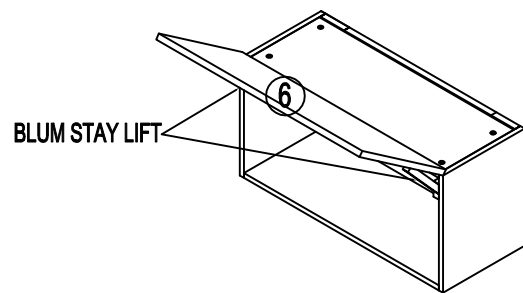
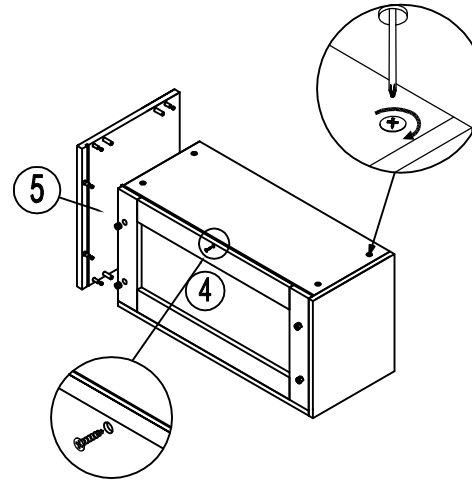
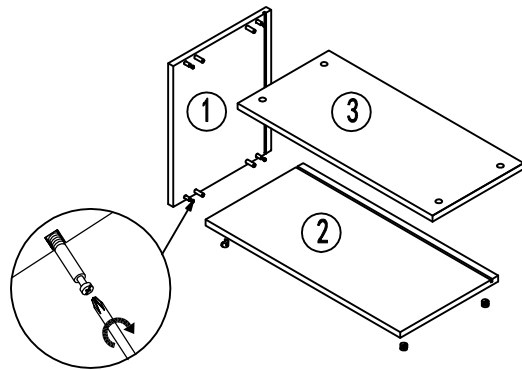
## WSL3312



WSL3312					
PICTURE	ITEM	SPEC	QTY.		
	Cam lock	Ø15*13	12		
	Cam lock screw	Ø8*35	12		
	Dowel	Ø8*35	8		
	Tapping screw	3.5*35	1		
BOX					
Part	L	W	T	QTY.	
1	Left panel	12"	12"	3/4"	1
2	Bottom panel	31 1/2"	12"	3/4"	1
3	Top panel	31 1/2"	11 1/8"	3/4"	1
4	Back panel	31 7/8"	11 3/8"	7/8"	1
5	Right panel	12"	12"	3/4"	1
total				5	
DOOR					
6	Door	32 7/8"	11 7/8"	3/4"	1

# ASSEMBLY INSTRUCTION

## WSL3612



WSL3612

PICTURE	ITEM	SPEC	QTY.
	Cam lock	Ø15*13	12
	Cam lock screw	Ø8*35	12
	Dowel	Ø8*35	8
	Tapping screw	3.5*35	1

### BOX

Part	L	W	T	QTY.
1 Left panel	12"	12"	3/4"	1
2 Bottom panel	34 1/2"	12"	3/4"	1
3 Top panel	34 1/2"	11 1/8"	3/4"	1
4 Back panel	34 7/8"	11 3/8"	7/8"	1
5 Right panel	12"	12"	3/4"	1
total 5				

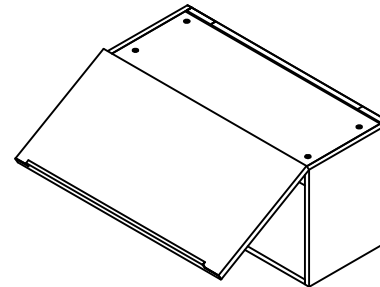
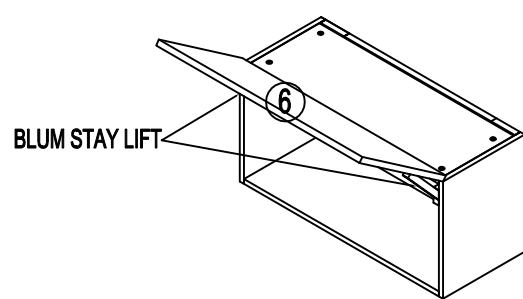
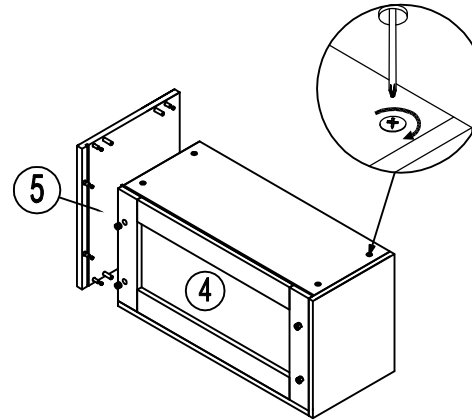
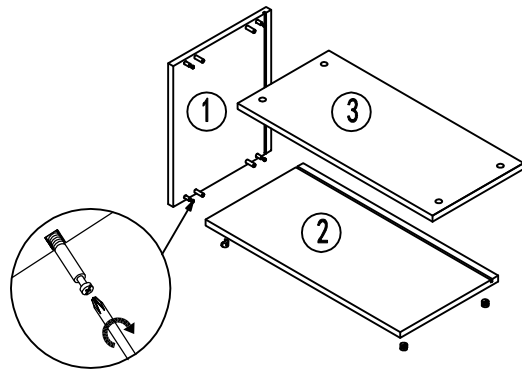
### DOOR

6 door	35 7/8"	11 7/8"	3/4"	1
--------	---------	---------	------	---

V 2.0

# ASSEMBLY INSTRUCTION

## WSL2415



WSL2415

PICTURE	ITEM	SPEC	QTY.
	Cam lock	Ø15*13	12
	Cam lock screw	Ø8*35	12
	Dowel	Ø8*35	8

### BOX

Part	L	W	T	QTY.
1 Left panel	15"	12"	3/4"	1
2 Bottom panel	22 1/2"	12"	3/4"	1
3 Top panel	22 1/2"	11 1/8"	3/4"	1
4 Back panel	22 7/8"	14 3/8"	7/8"	1
5 Right panel	15"	12"	3/4"	1

total 5

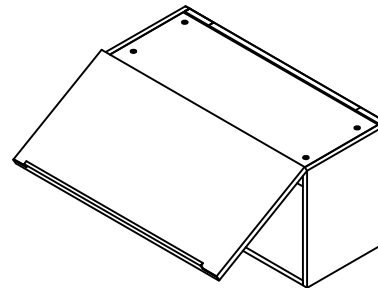
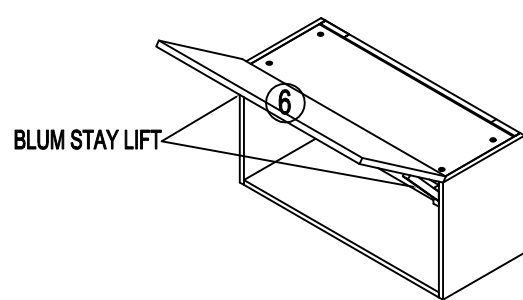
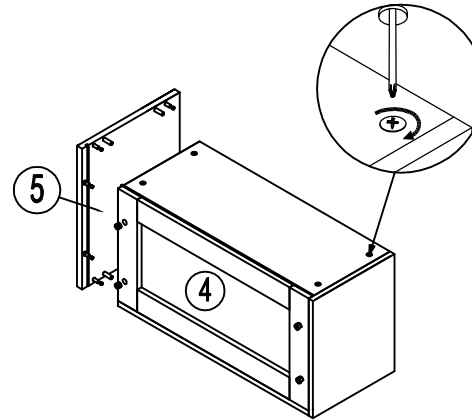
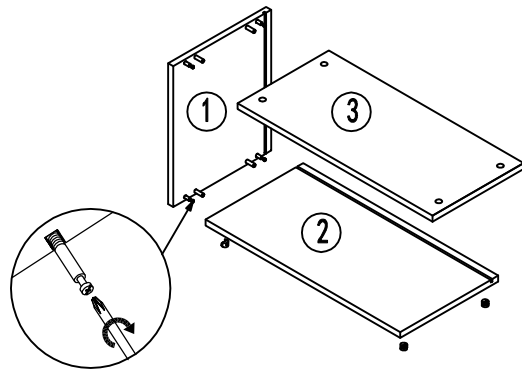
### DOOR

6 Door	23 7/8"	14 7/8"	3/4"	1
--------	---------	---------	------	---

V 2.0

# ASSEMBLY INSTRUCTION

## WSL2715



WSL2715

PICTURE	ITEM	SPEC	QTY.
	Cam lock	Ø15*13	12
	Cam lock screw	Ø8*35	12
	Dowel	Ø8*35	8

### BOX

Part	L	W	T	QTY.
1 Left panel	15"	12"	3/4"	1
2 Bottom panel	25 1/2"	12"	3/4"	1
3 Top panel	25 1/2"	11 1/8"	3/4"	1
4 Back panel	25 7/8"	14 3/8"	7/8"	1
5 Right panel	15"	12"	3/4"	1
total 5				

### DOOR

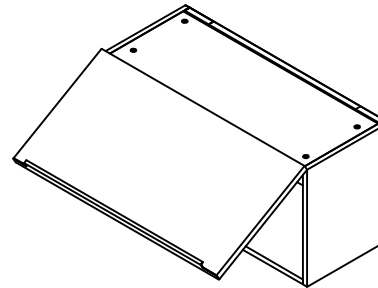
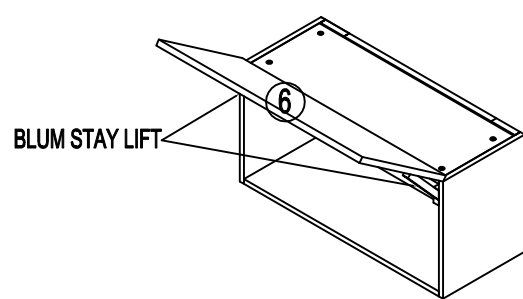
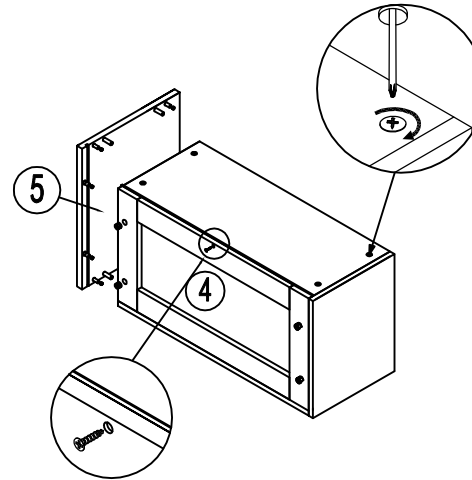
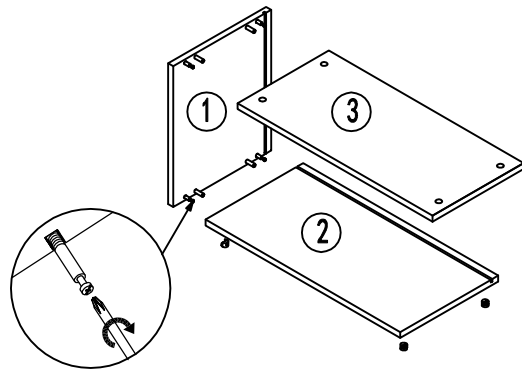
6 Door	26 7/8"	14 7/8"	3/4"	1
--------	---------	---------	------	---

V 2.0



# ASSEMBLY INSTRUCTION

## WSL3015



WSL3015

PICTURE	ITEM	SPEC	QTY.
	Cam lock	Ø15*13	12
	Cam lock screw	Ø8*35	12
	Dowel	Ø8*35	8
	Tapping screw	3.5*35	1

BOX

Part	L	W	T	QTY.
1 Left panel	15"	12"	3/4"	1
2 Bottom panel	28 1/2"	12"	3/4"	1
3 Top panel	28 1/2"	11 1/8"	3/4"	1
4 Back panel	28 7/8"	14 3/8"	7/8"	1
5 Right panel	15"	12"	3/4"	1
total 5				

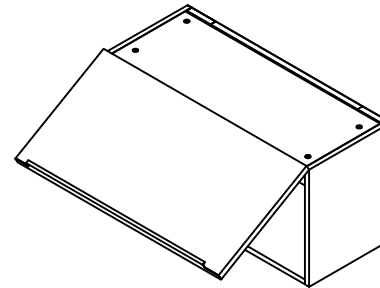
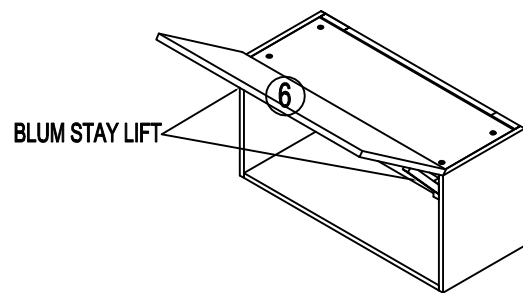
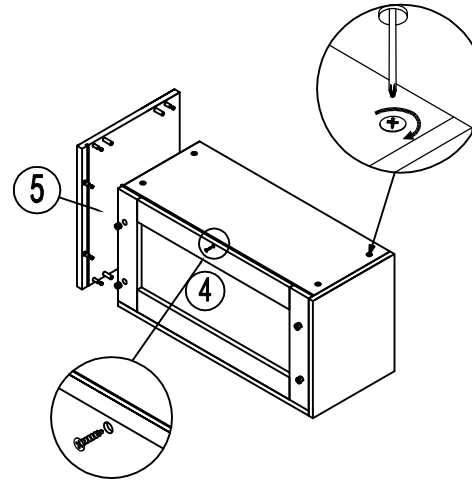
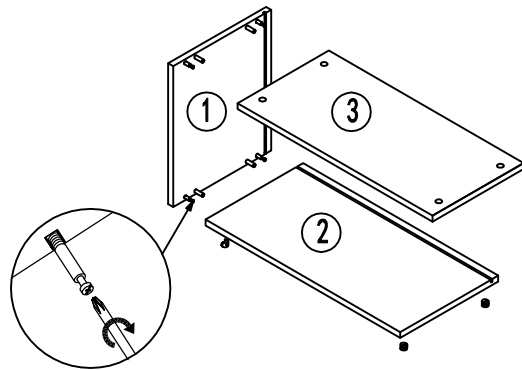
DOOR

6 Door	29 7/8"	14 7/8"	3/4"	1
--------	---------	---------	------	---

V 2.0

# ASSEMBLY INSTRUCTION

## WSL3315



WSL3315

PICTURE	ITEM	SPEC	QTY.
	Cam lock	Ø15*13	12
	Cam lock screw	Ø8*35	12
	Dowel	Ø8*35	8
	Tapping screw	3.5*35	1

BOX

Part	L	W	T	QTY.
1 Left panel	15"	12"	3/4"	1
2 Bottom panel	31 1/2"	12"	3/4"	1
3 Top panel	31 1/2"	11 1/8"	3/4"	1
4 Back panel	31 7/8"	14 3/8"	7/8"	1
5 Right panel	15"	12"	3/4"	1
total 5				

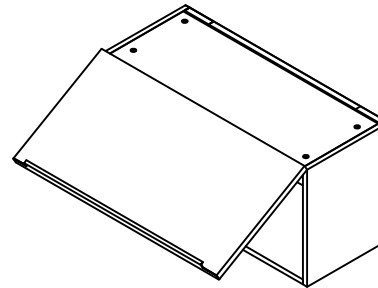
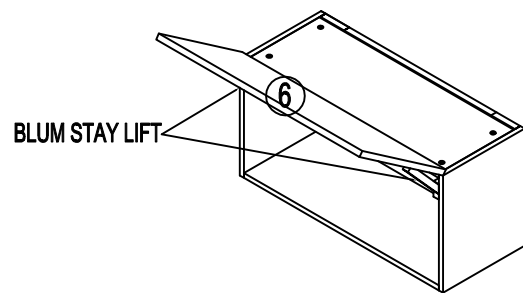
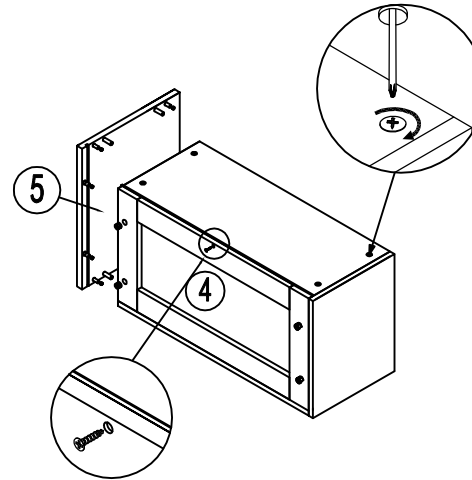
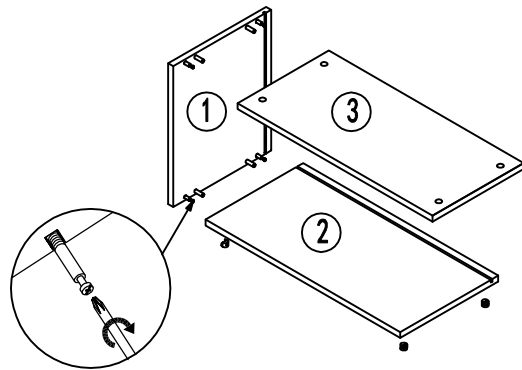
DOOR

6 Door	32 7/8"	14 7/8"	3/4"	1
--------	---------	---------	------	---

V 2.0

# ASSEMBLY INSTRUCTION

## WSL3615



WSL3615

PICTURE	ITEM	SPEC	QTY.
	Cam lock	Ø15*13	12
	Cam lock screw	Ø8*35	12
	Dowel	Ø8*35	8
	Tapping screw	3.5*35	1

BOX

Part	L	W	T	QTY.
1 Left panel	15"	12"	3/4"	1
2 Bottom panel	34 1/2"	12"	3/4"	1
3 Top panel	34 1/2"	11 1/8"	3/4"	1
4 Back panel	34 7/8"	14 3/8"	7/8"	1
5 Right panel	15"	12"	3/4"	1
				total 5

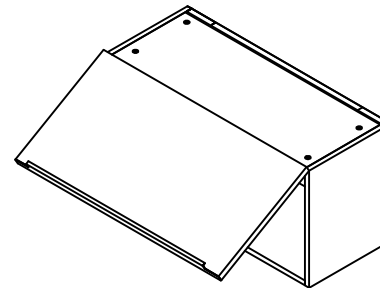
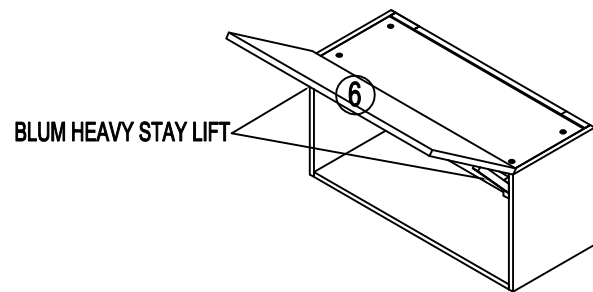
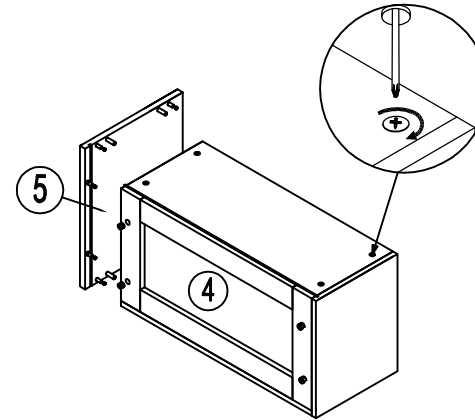
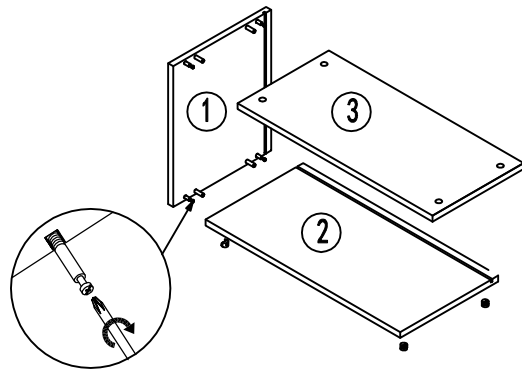
DOOR

6 Door	35 7/8"	14 7/8"	3/4"	1
--------	---------	---------	------	---

V 2.0

# ASSEMBLY INSTRUCTION

## WSL2418



WSL2418

PICTURE	ITEM	SPEC	QTY.
	Cam lock	Ø15*13	12
	Cam lock screw	Ø8*35	12
	Dowel	Ø8*35	8

### BOX

Part	L	W	T	QTY.
1 Left panel	18"	12"	3/4"	1
2 Bottom panel	22 1/2"	12"	3/4"	1
3 Top panel	22 1/2"	11 1/8"	3/4"	1
4 Back panel	22 7/8"	17 3/8"	7/8"	1
5 Right panel	18"	12"	3/4"	1
total 5				

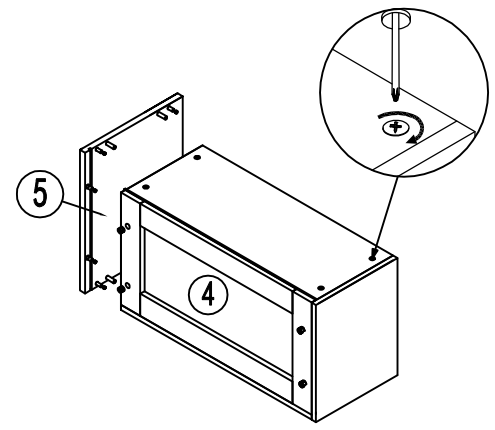
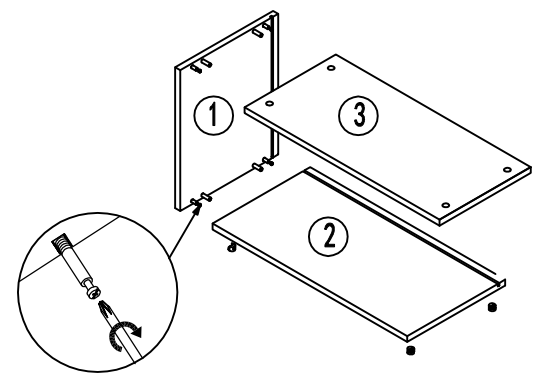
### DOOR

6 Door	23 7/8"	17 7/8"	3/4"	1
--------	---------	---------	------	---

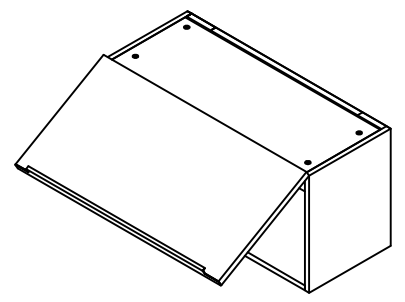
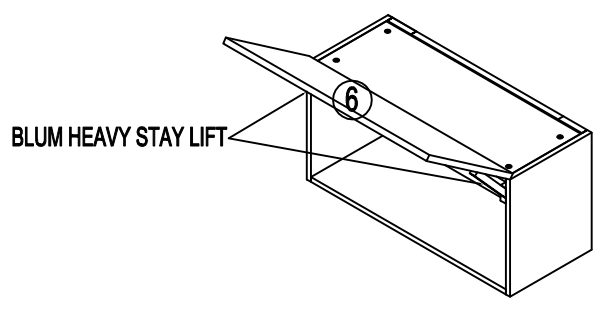
V 2.0

# ASSEMBLY INSTRUCTION

## WSL2718

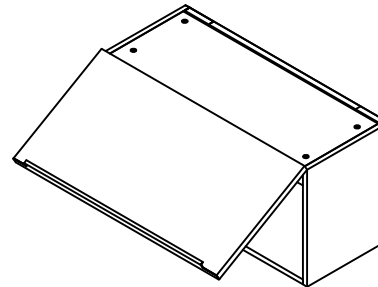
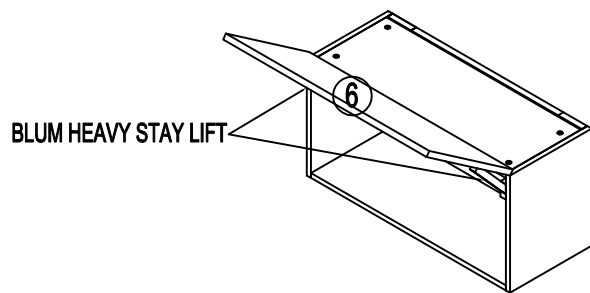
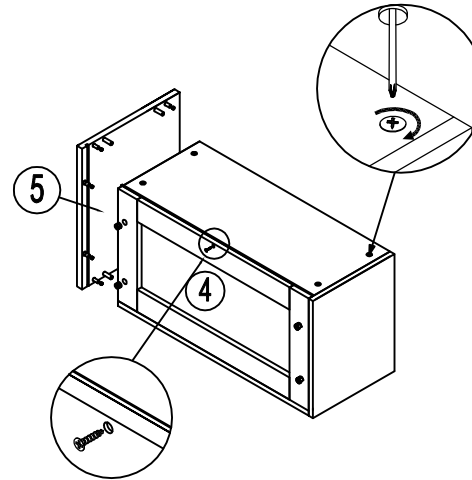
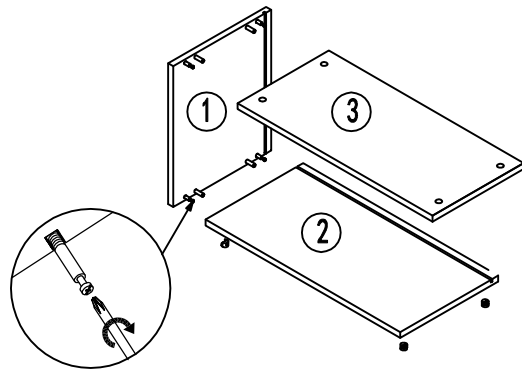


WSL2718					
PICTURE	ITEM	SPEC	QTY.		
	Cam lock	Ø15*13	12		
	Cam lock screw	Ø8*35	12		
	Dowel	Ø8*35	8		
BOX					
Part	L	W	T	QTY.	
1	Left panel	18"	12"	3/4"	1
2	Bottom panel	25 1/2"	12"	3/4"	1
3	Top panel	25 1/2"	11 1/8"	3/4"	1
4	Back panel	25 7/8"	17 3/8"	7/8"	1
5	Right panel	18"	12"	3/4"	1
total				5	
DOOR					
6	Door	26 7/8"	17 7/8"	3/4"	1



# ASSEMBLY INSTRUCTION

## WSL3018



WSL3018

PICTURE	ITEM	SPEC	QTY.
	Cam lock	Ø15*13	12
	Cam lock screw	Ø8*35	12
	Dowel	Ø8*35	8
	Tapping screw	3.5*35	1

BOX

Part	L	W	T	QTY.
1 Left panel	18"	12"	3/4"	1
2 Bottom panel	28 1/2"	12"	3/4"	1
3 Top panel	28 1/2"	11 1/8"	3/4"	1
4 Back panel	28 7/8"	17 3/8"	7/8"	1
5 Right panel	18"	12"	3/4"	1
total 5				

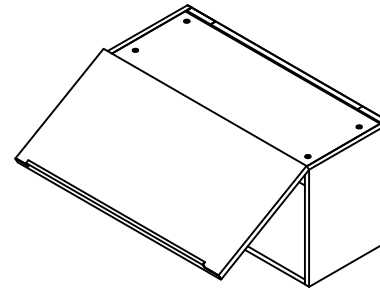
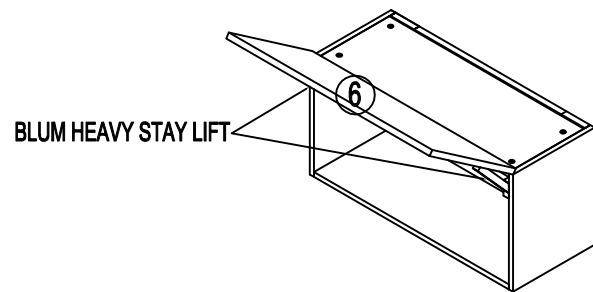
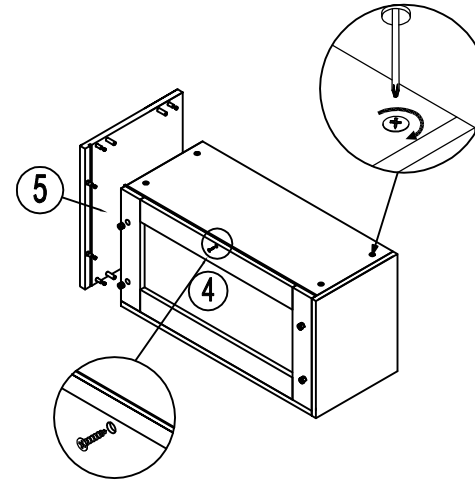
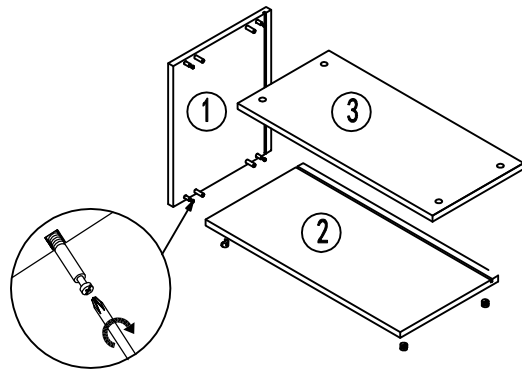
DOOR

6 Door	29 7/8"	17 7/8"	3/4"	1
--------	---------	---------	------	---

V 2.0

# ASSEMBLY INSTRUCTION

## WSL3318



WSL3318

PICTURE	ITEM	SPEC	QTY.
	Cam lock	Ø15*13	12
	Cam lock screw	Ø8*35	12
	Dowel	Ø8*35	8
	Tapping screw	3.5*35	1

### BOX

Part	L	W	T	QTY.
1 Left panel	18"	12"	3/4"	1
2 Bottom panel	31 1/2"	12"	3/4"	1
3 Top panel	31 1/2"	11 1/8"	3/4"	1
4 Back panel	31 7/8"	17 3/8"	7/8"	1
5 Right panel	18"	12"	3/4"	1
total 5				

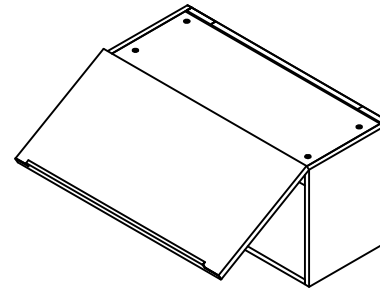
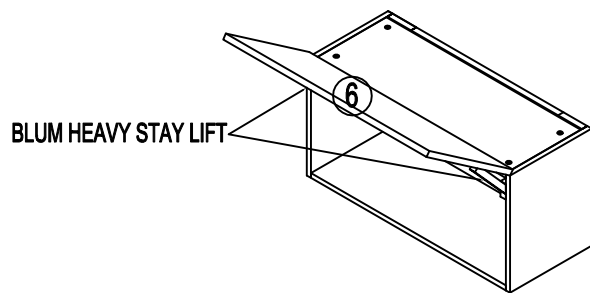
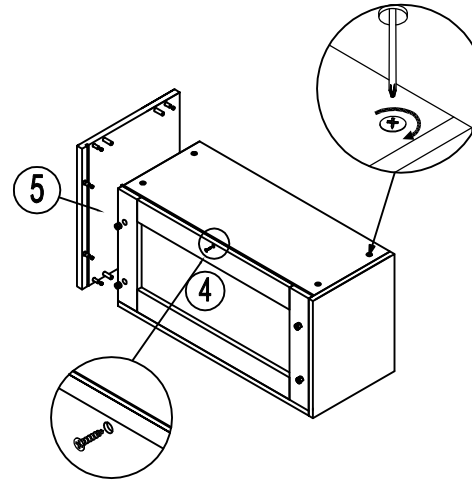
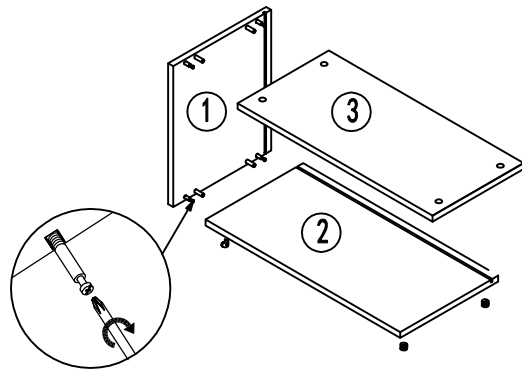
### DOOR

6 Door	32 7/8"	17 7/8"	3/4"	1
--------	---------	---------	------	---

V 2.0

# ASSEMBLY INSTRUCTION

## WSL3618



WSL3618

PICTURE	ITEM	SPEC	QTY.
	Cam lock	Ø15*13	12
	Cam lock screw	Ø8*35	12
	Dowel	Ø8*35	8
	Tapping screw	3.5*35	1

### BOX

Part	L	W	T	QTY.
1 Left panel	18"	12"	3/4"	1
2 Bottom panel	34 1/2"	12"	3/4"	1
3 Top panel	34 1/2"	11 1/8"	3/4"	1
4 Back panel	34 7/8"	17 3/8"	7/8"	1
5 Right panel	18"	12"	3/4"	1
total 5				

### DOOR

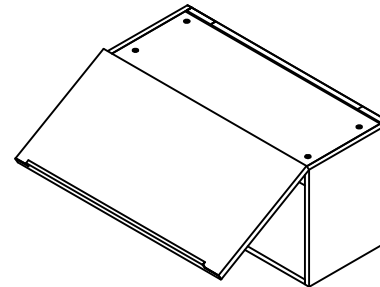
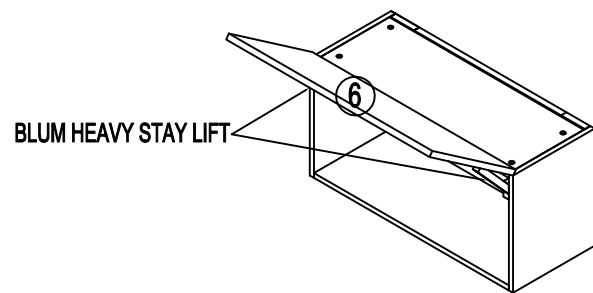
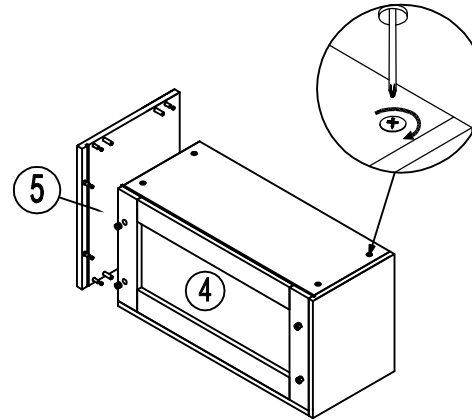
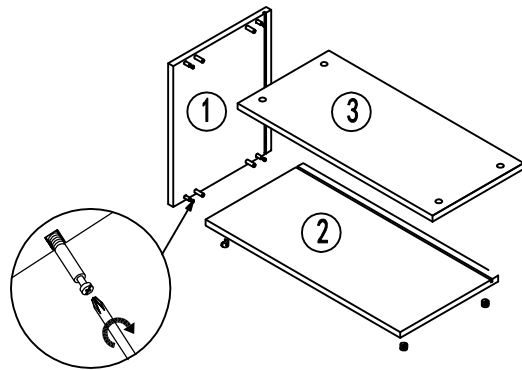
6 Door	35 7/8"	17 7/8"	3/4"	1
--------	---------	---------	------	---

V 2.0



# ASSEMBLY INSTRUCTION

## WSL2421



WSL2421

PICTURE	ITEM	SPEC	QTY.
	Cam lock	Ø15*13	12
	Cam lock screw	Ø8*35	12
	Dowel	Ø8*35	8

### BOX

Part	L	W	T	QTY.
1 Left panel	21"	12"	3/4"	1
2 Bottom panel	22 1/2"	12"	3/4"	1
3 Top panel	22 1/2"	11 1/8"	3/4"	1
4 Back panel	22 7/8"	20 3/8"	7/8"	1
5 Right panel	21"	12"	3/4"	1

total 5

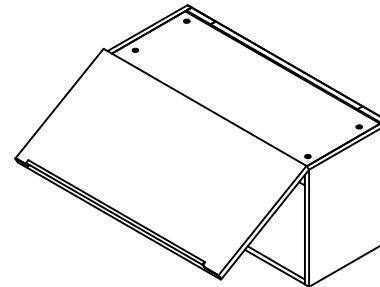
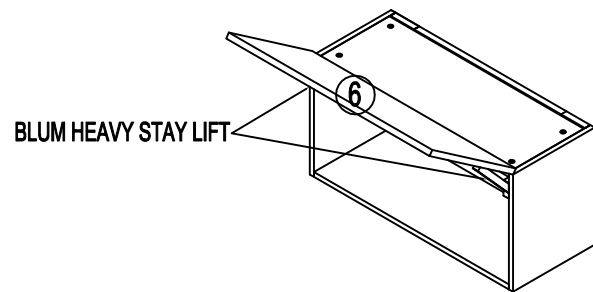
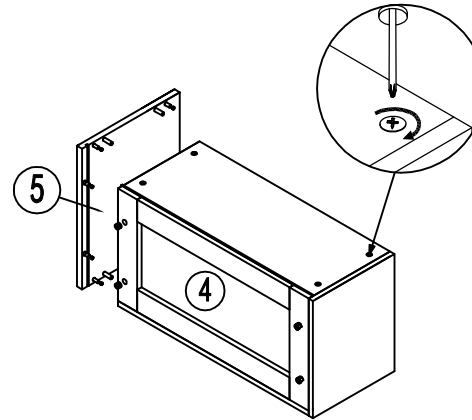
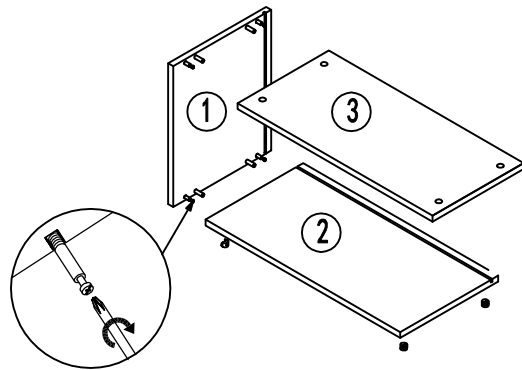
### DOOR

6 Door	23 7/8"	20 7/8"	3/4"	1
--------	---------	---------	------	---

V 2.0

# ASSEMBLY INSTRUCTION

## WSL2721



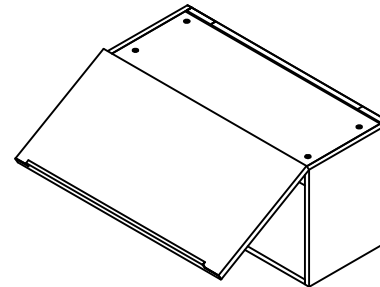
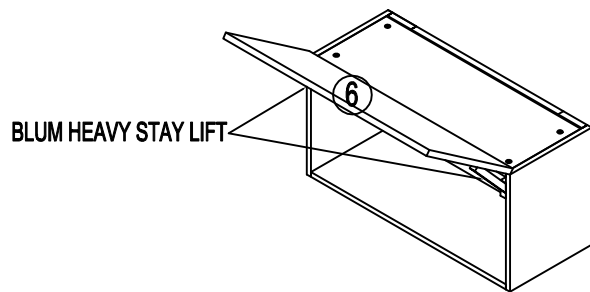
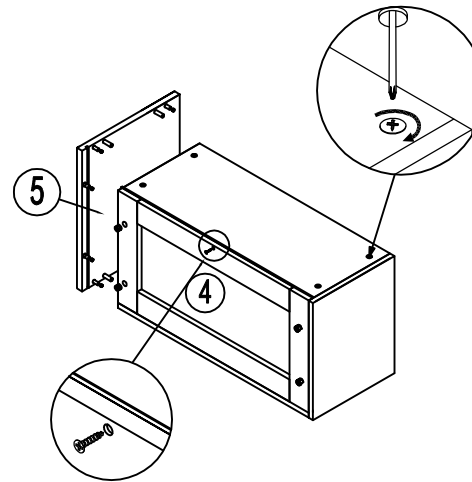
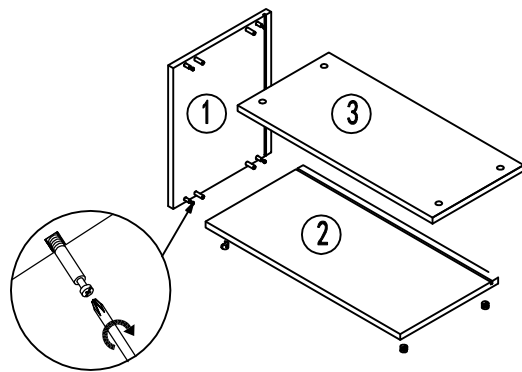
WSL2721

PICTURE	ITEM	SPEC	QTY.		
	Cam lock	Ø15*13	12		
	Cam lock screw	Ø8*35	12		
	Dowel	Ø8*35	8		
BOX					
Part	L	W	T	QTY.	
1	Left panel	21"	12"	3/4"	1
2	Bottom panel	25 1/2"	12"	3/4"	1
3	Top panel	25 1/2"	11 1/8"	3/4"	1
4	Back panel	25 7/8"	20 3/8"	7/8"	1
5	Right panel	21"	12"	3/4"	1
total				5	
DOOR					
6	Door	26 7/8"	20 7/8"	3/4"	1

V 2.0

# ASSEMBLY INSTRUCTION

## WSL3021



WSL3021

PICTURE	ITEM	SPEC	QTY.
	Cam lock	Ø15*13	12
	Cam lock screw	Ø8*35	12
	Dowel	Ø8*35	8
	Tapping screw	3.5*35	1

BOX

Part	L	W	T	QTY.
1 Left panel	21"	12"	3/4"	1
2 Bottom panel	28 1/2"	12"	3/4"	1
3 Top panel	28 1/2"	11 1/8"	3/4"	1
4 Back panel	28 7/8"	20 3/8"	7/8"	1
5 Right panel	21"	12"	3/4"	1
total 5				

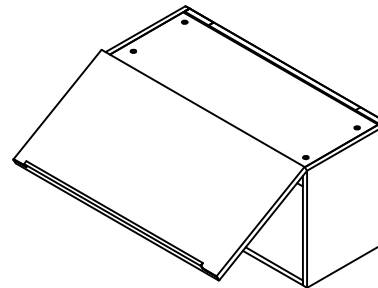
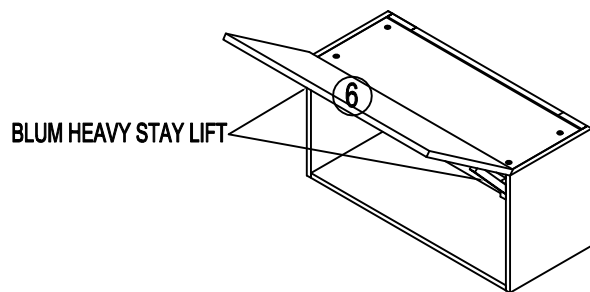
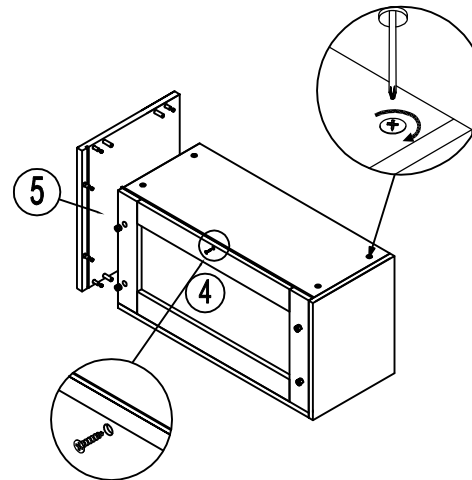
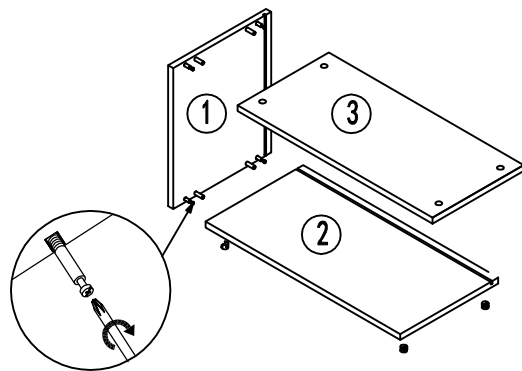
DOOR

6 Door	29 7/8"	20 7/8"	3/4"	1
--------	---------	---------	------	---

V 2.0

# ASSEMBLY INSTRUCTION

## WSL3321



WSL3321

PICTURE	ITEM	SPEC	QTY.
	Cam lock	Ø15*13	12
	Cam lock screw	Ø8*35	12
	Dowel	Ø8*35	8
	Tapping screw	3.5*35	1

BOX

Part	L	W	T	QTY.
1 Left panel	21"	12"	3/4"	1
2 Bottom panel	31 1/2"	12"	3/4"	1
3 Top panel	31 1/2"	11 1/8"	3/4"	1
4 Back panel	31 7/8"	20 3/8"	7/8"	1
5 Right panel	21"	12"	3/4"	1
total 5				

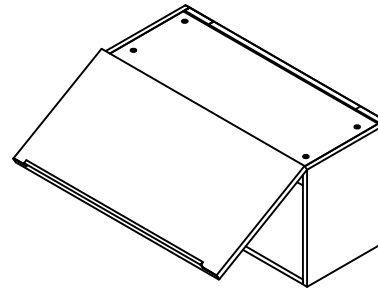
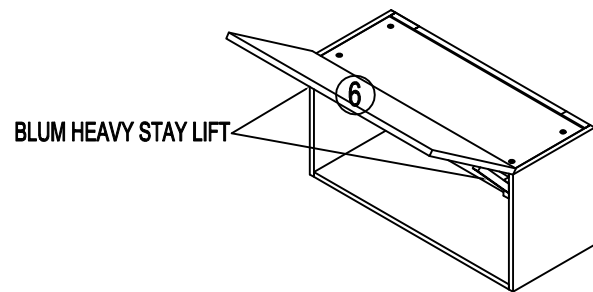
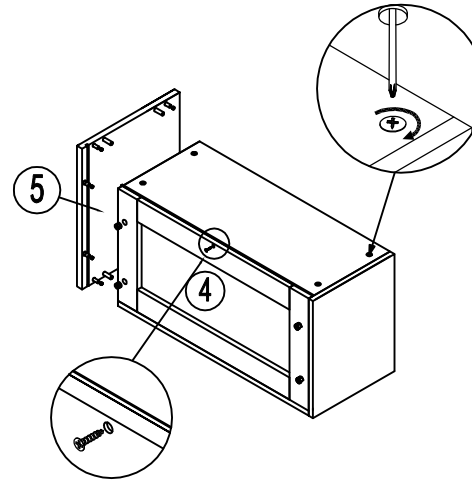
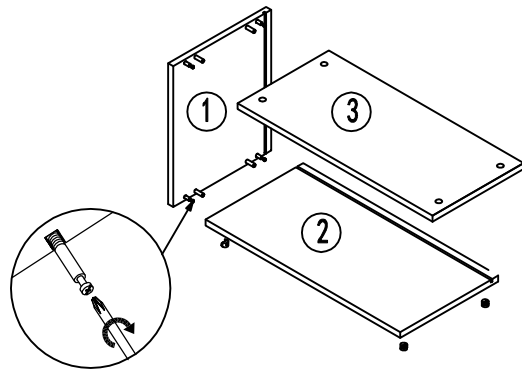
DOOR

6 Door	32 7/8"	20 7/8"	3/4"	1
--------	---------	---------	------	---

V 2.0

# ASSEMBLY INSTRUCTION

## WSL3621



WSL3621

PICTURE	ITEM	SPEC	QTY.
	Cam lock	Ø15*13	12
	Cam lock screw	Ø8*35	12
	Dowel	Ø8*35	8
	Tapping screw	3.5*35	1

BOX

Part	L	W	T	QTY.
1 Left panel	21"	12"	3/4"	1
2 Bottom panel	34 1/2"	12"	3/4"	1
3 Top panel	34 1/2"	11 1/8"	3/4"	1
4 Back panel	34 7/8"	20 3/8"	7/8"	1
5 Right panel	21"	12"	3/4"	1
total 5				

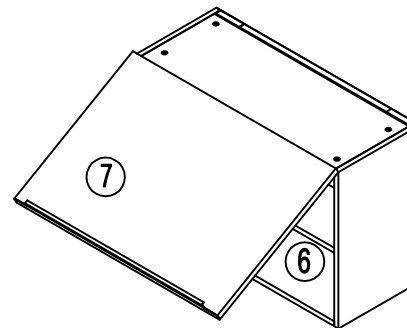
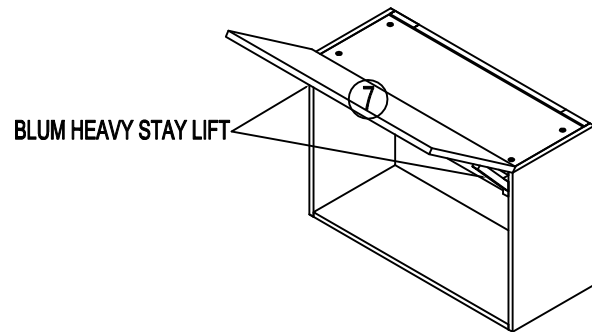
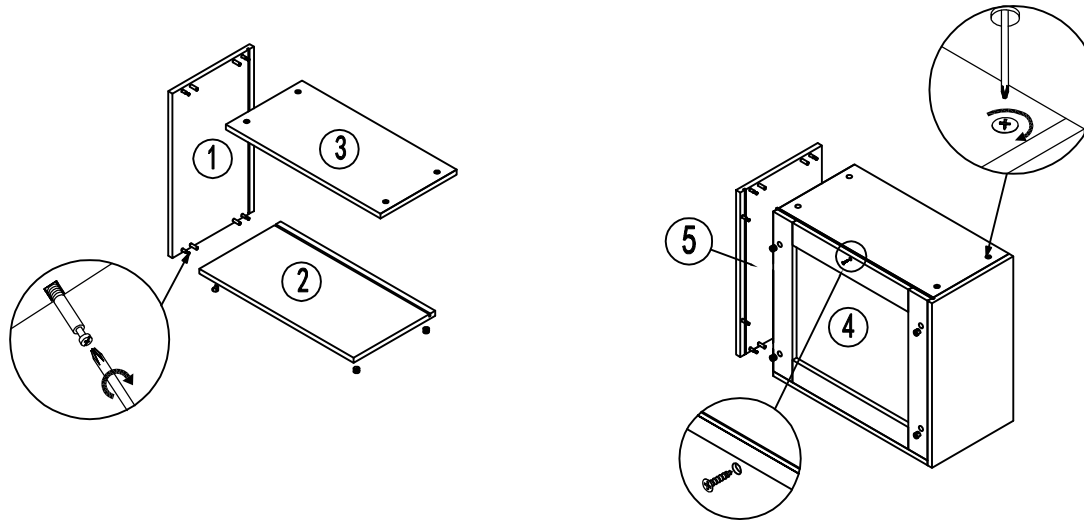
DOOR

6 Door	35 7/8"	20 7/8"	3/4"	1
--------	---------	---------	------	---

V 2.0

# ASSEMBLY INSTRUCTION

## WSL2424



WSL2424					
PICTURE	ITEM	SPEC	QTY.		
	Cam lock	Ø15*13	14		
	Cam lock screw	Ø8*35	14		
	Dowel	Ø8*35	8		
	Tapping screw	3.5*35	1		
	Shelf support	Ø5	4		
BOX					
Part	L	W	T	QTY.	
1	Left panel	18"	12"	3/4"	1
2	Bottom panel	22 1/2"	12"	3/4"	1
3	Top panel	22 1/2"	11 1/8"	3/4"	1
4	Back panel	23 3/8"	22 7/8"	1/8"	1
5	Right panel	18"	12"	3/4"	1
6	shelf	22 1/2"	10 7/8"	3/4"	1
total				6	
DOOR					
7	Door	23 7/8"	23 7/8"	3/4"	1