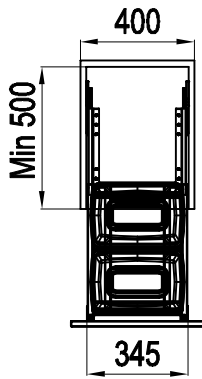
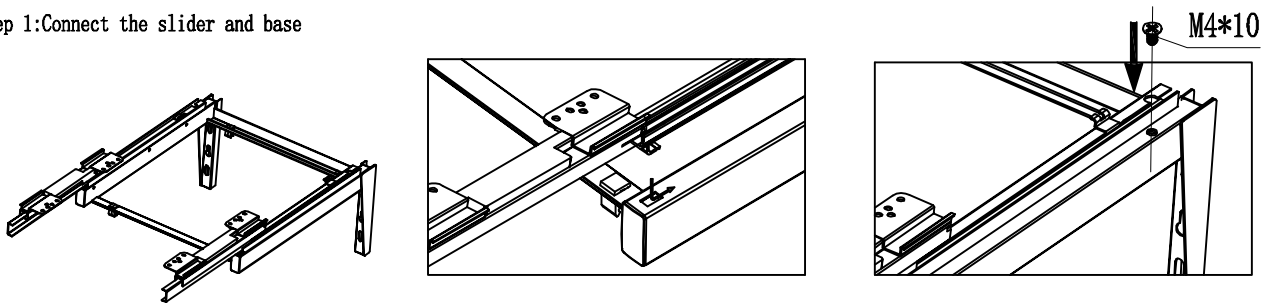


E-BTC-18 TRASH CAN INSTALLATION INSTRUCTION

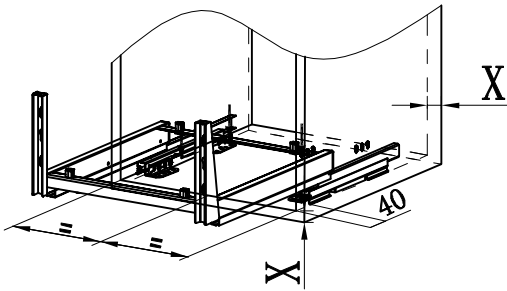


Name	Picture	Pcs
ST3.5*16 tapping screw		20
Door fixture		2
Angas slider		2x couple (left & right)
Trash		2

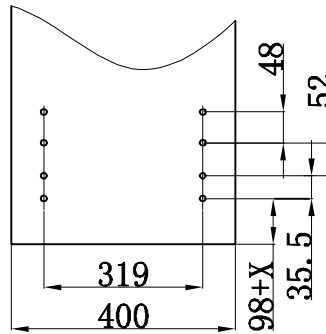
Step 1: Connect the slider and base



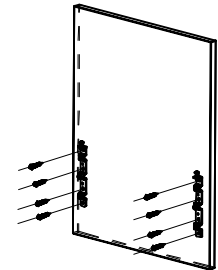
Step 2: As shown in figure, Fix the base on the bottom panel by 12pcs ST3.5*16 tapping screw.



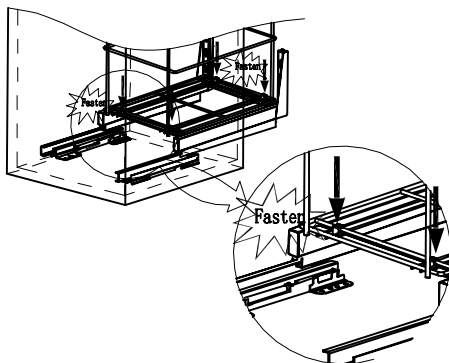
Step 3: As shown, drill 8pcs holes (Ø2.5) on the door panel.



Step 4: Connect the door and the fixing fitting by 8pcs ST3.5*16 tapping screw.



Step 5: Install the basket.



Step 6: Install the door.

- a. Adjust the connecting between the door and the base
- b. Adjust the height of the door Attn: loosen the screw (a) first

